

Spare parts list

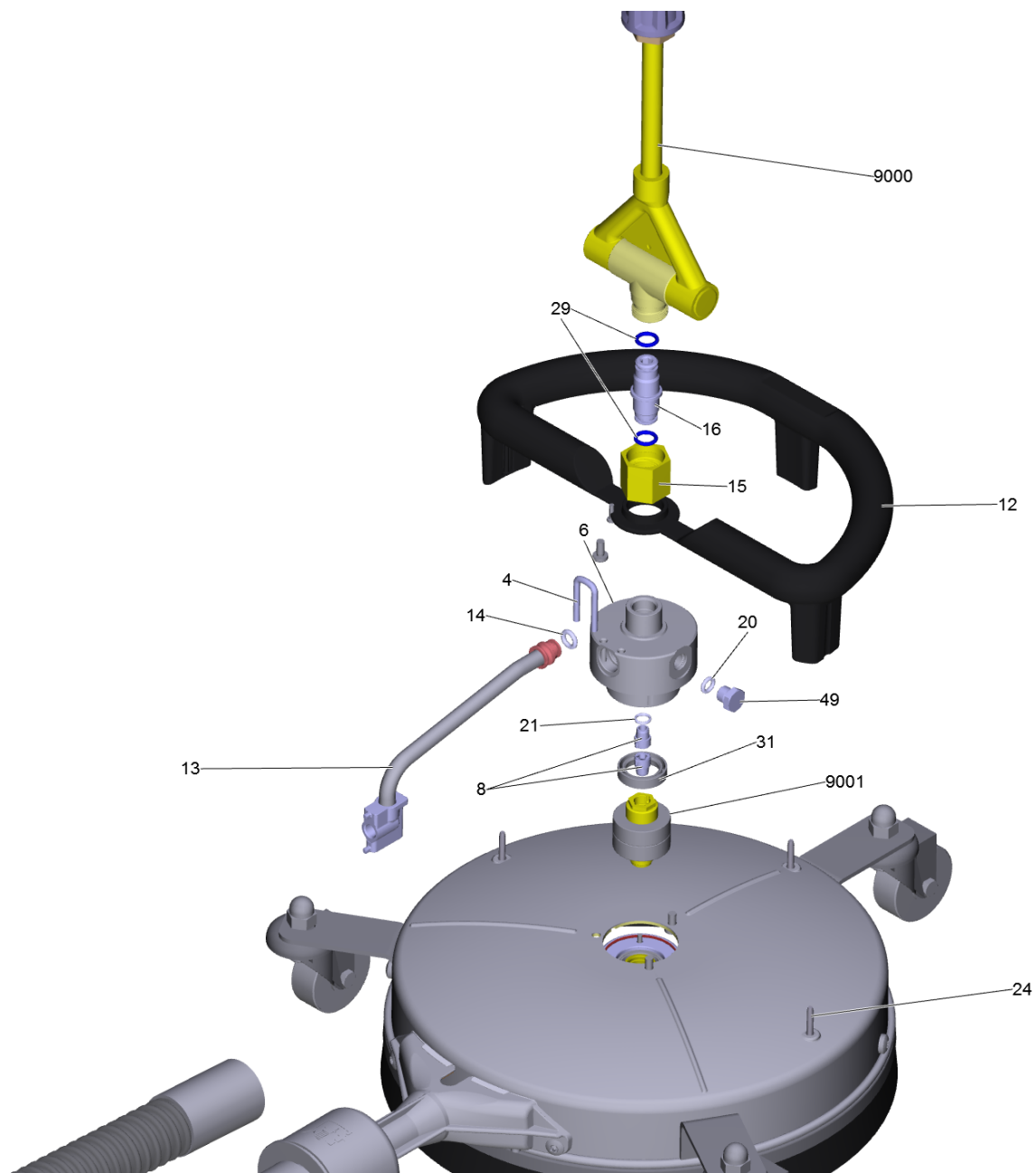
(2.111-012.0) FRV TR 30 ME

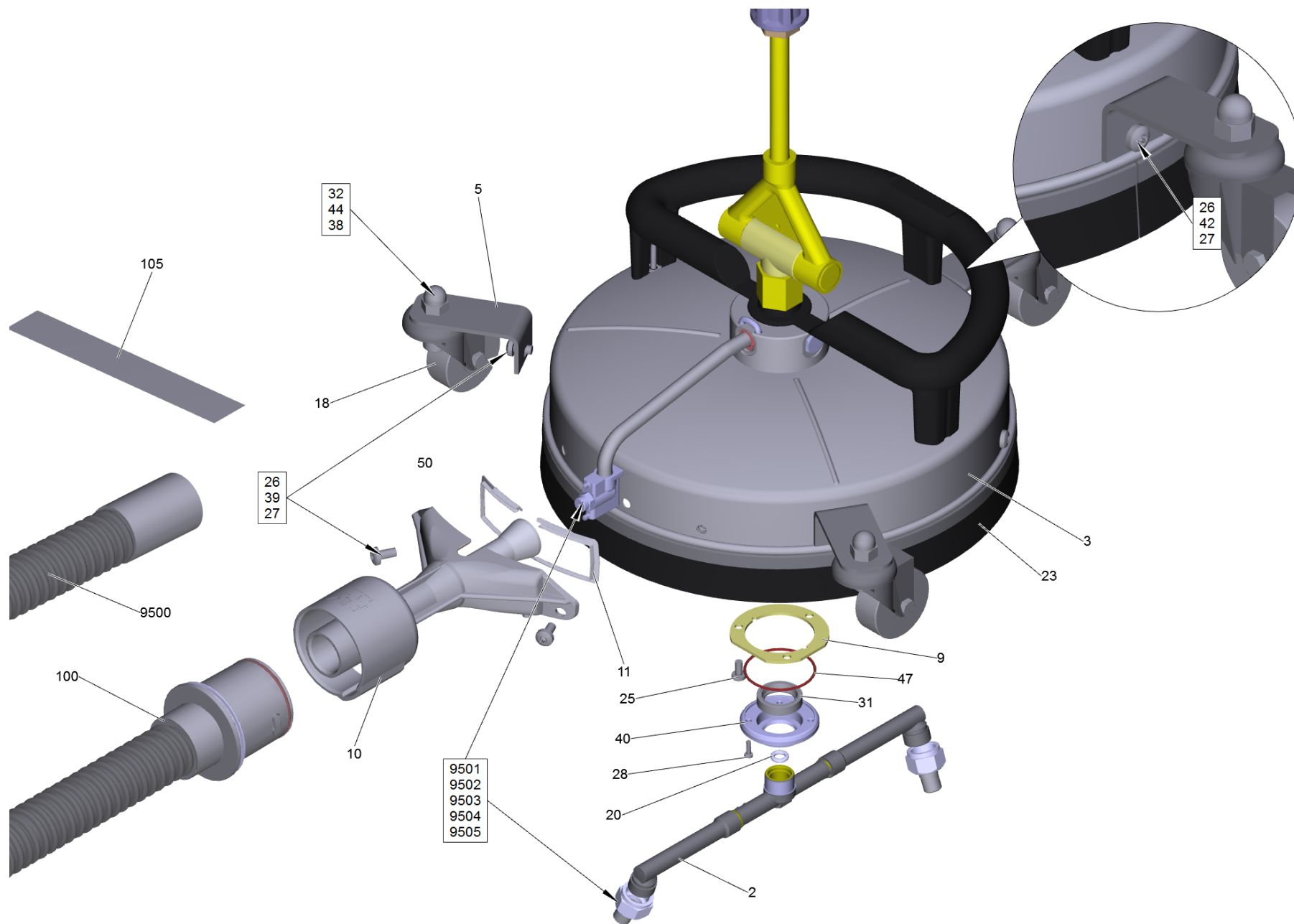
Table of contents

| | |
|--|----|
| FRV TR 30 ME (2.111-012.0) | 3 |
| Spare parts list FRV TR 30 me (5.973-837.0) | 4 |
| 100 Suction hose FRV 30 me (4.441-019.0) | 8 |
| 105 Accessories | 10 |
| 9001 Bearing complete only for replacement (4.250-000.0) | 11 |
| 9001 Bearing complete (4.250-078.0) | 13 |

FRV TR 30 ME (2.111-012.0)

| POS | Article no. | Description | Quantity | Unit |
|-----|-------------|-------------------------------|----------|------|
| 0 | 5.973-837.0 | Spare parts list FRV TR 30 me | 1.000 | ST |



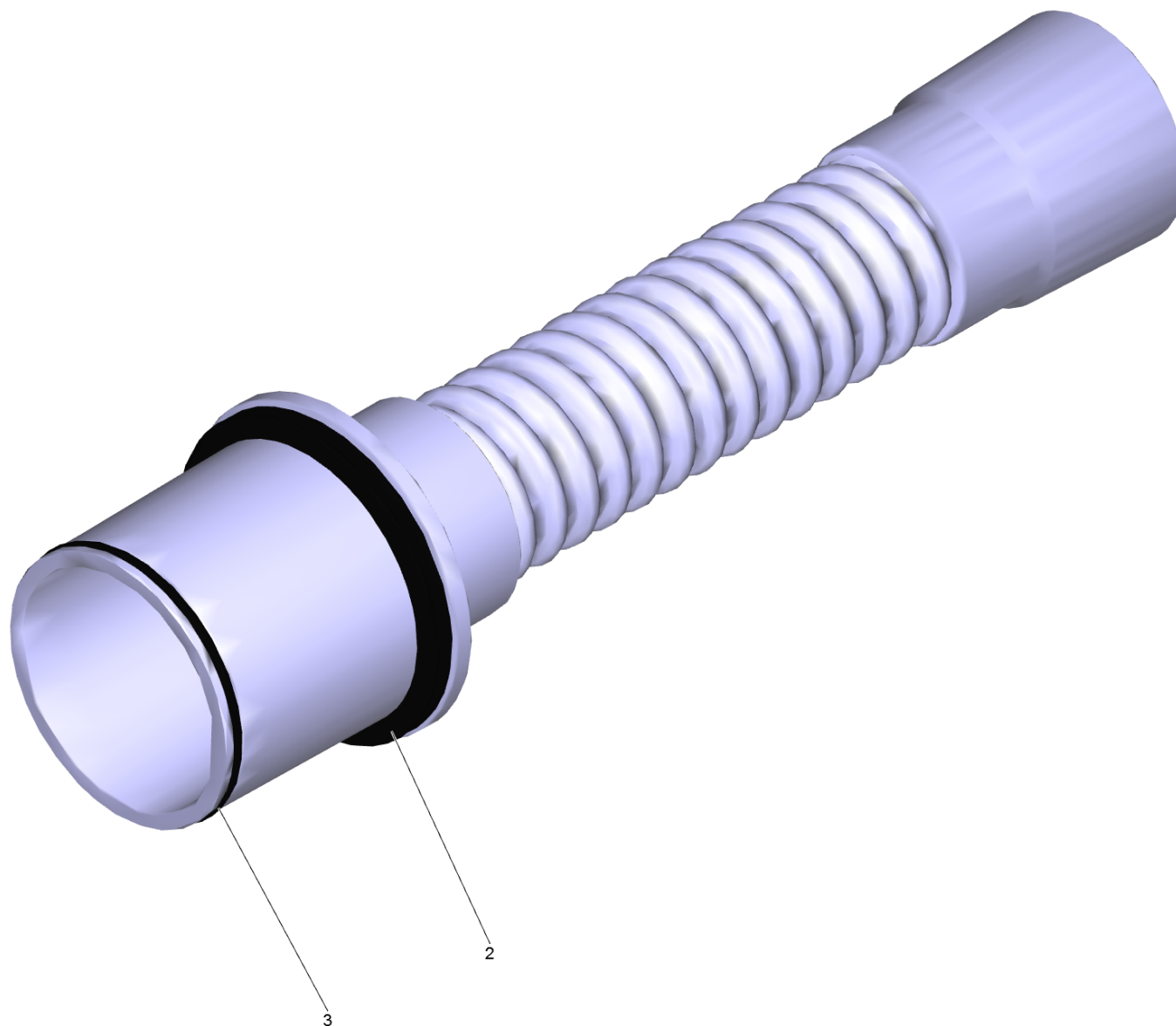


Spare parts list FRV TR 30 me (5.973-837.0)

| POS | Article no. | Description | Quantity | Unit |
|------|-------------|---|----------|------|
| 105 | | Accessories | 1.000 | ST |
| 9000 | 4.802-000.3 | Angle joint TR for replacement | 1.000 | ST |
| 9001 | 4.250-078.0 | Bearing complete | 1.000 | ST |
| 9001 | 4.250-000.0 | Bearing complete only for replacement | 1.000 | ST |
| 23 | 6.371-293.0 | Brush-corona FRV 30 Me | 1.000 | ST |
| 32 | 7.311-402.0 | Cap nut M10-A1-50 DIN 1587 | 3.000 | ST |
| 18 | 6.435-694.0 | Castor | 3.000 | ST |
| 3 | 5.033-872.0 | Cover ME | 1.000 | ST |
| 38 | 7.306-234.0 | Cylinder head screw M10x20-A4-70 ISO 47 | 3.000 | ST |
| 40 | 5.122-443.0 | Flange | 1.000 | ST |
| 9 | 5.122-003.0 | Flange | 1.000 | ST |
| 12 | 5.321-716.0 | Handhold | 1.000 | ST |
| 27 | 7.311-128.0 | Hexagon nut M6 -A4 DIN 985 | 7.000 | ST |
| 5 | 5.058-584.0 | Holder | 3.000 | ST |
| 4 | 5.037-109.0 | HOOK | 1.000 | ST |
| 13 | 4.427-018.0 | Manifold complete | 1.000 | ST |
| 10 | 5.033-873.0 | Moulded part diffusor | 1.000 | ST |
| 2 | 4.764-273.0 | Nozzle holder | 1.000 | ST |
| 9501 | 2.642-430.0 | Nozzle pack 035 | 1.000 | ST |
| 9502 | 2.642-431.0 | Nozzle pack 040 | 1.000 | ST |
| 9503 | 2.642-432.0 | Nozzle pack 045 | 1.000 | ST |
| 9504 | 2.642-433.0 | Nozzle pack 050 | 1.000 | ST |
| 9505 | 2.642-982.0 | Nozzle pack 080 | 1.000 | ST |
| 21 | 6.362-658.0 | O-Ring seal 7 X 1,5-NBR 90 | 2.000 | ST |
| 14 | 6.362-443.0 | O-Ring seal 8,0 X 2,0-FPM 83 | 1.000 | ST |
| 20 | 6.363-492.0 | O-Ring seal 8,0x1,5 | 2.000 | ST |
| 29 | 6.363-485.0 | O-Ring seal 10x 2 mm HNBR Shore 80 | 2.000 | ST |
| 47 | 6.362-475.0 | O-Ring seal 44,17X 1,78-NBR 70 | 1.000 | ST |
| 31 | 7.367-000.0 | Radial shaft seal ring A20x30x7-NBR DIN | 2.000 | ST |
| 24 | 7.303-117.0 | Screw 4x20 -A2-70 (In6Rd) | 3.000 | ST |
| 28 | 7.306-204.0 | Screw M 3X 10-A2-70 (IN6RD) | 4.000 | ST |
| 25 | 7.306-180.0 | Screw M5x10-A2-70 (In6Rd) | 3.000 | ST |
| 26 | 7.306-192.0 | Screw M 6x 12-A2-70 (In6Rd) | 7.000 | ST |

Spare parts list FRV TR 30 me (5.973-837.0)

| POS | Article no. | Description | Quantity | Unit |
|------|-------------|----------------------------------|----------|------|
| 49 | 5.411-070.0 | Screw plug | 1.000 | ST |
| 11 | 5.363-011.0 | Seal | 1.000 | ST |
| 16 | 5.424-011.0 | Sealing cone TR FRV 30 ME | 1.000 | ST |
| 60 | 5.100-428.0 | Shaft | 1.000 | ST |
| 8 | 5.111-322.0 | Sleeve | 2.000 | ST |
| 50 | 5.111-376.0 | Sleeve FRV | 1.000 | ST |
| 9500 | 4.441-040.0 | Suction hose extended FRV Metall | 1.000 | ST |
| 100 | 4.441-019.0 | Suction hose FRV 30 me | 1.000 | ST |
| 6 | 5.108-014.0 | Turned part FRV 30 ME | 1.000 | ST |
| 15 | 5.311-008.0 | Union nut TR FR/FRV30 ME | 1.000 | ST |
| 39 | 7.312-026.0 | Washer 6 -A2 ISO 7089 | 6.000 | ST |
| 42 | 7.312-292.0 | Washer 6 -A2 ISO 7093-1 | 1.000 | ST |
| 44 | 7.312-066.0 | Washer 10 -A2 ISO 7089 | 3.000 | ST |

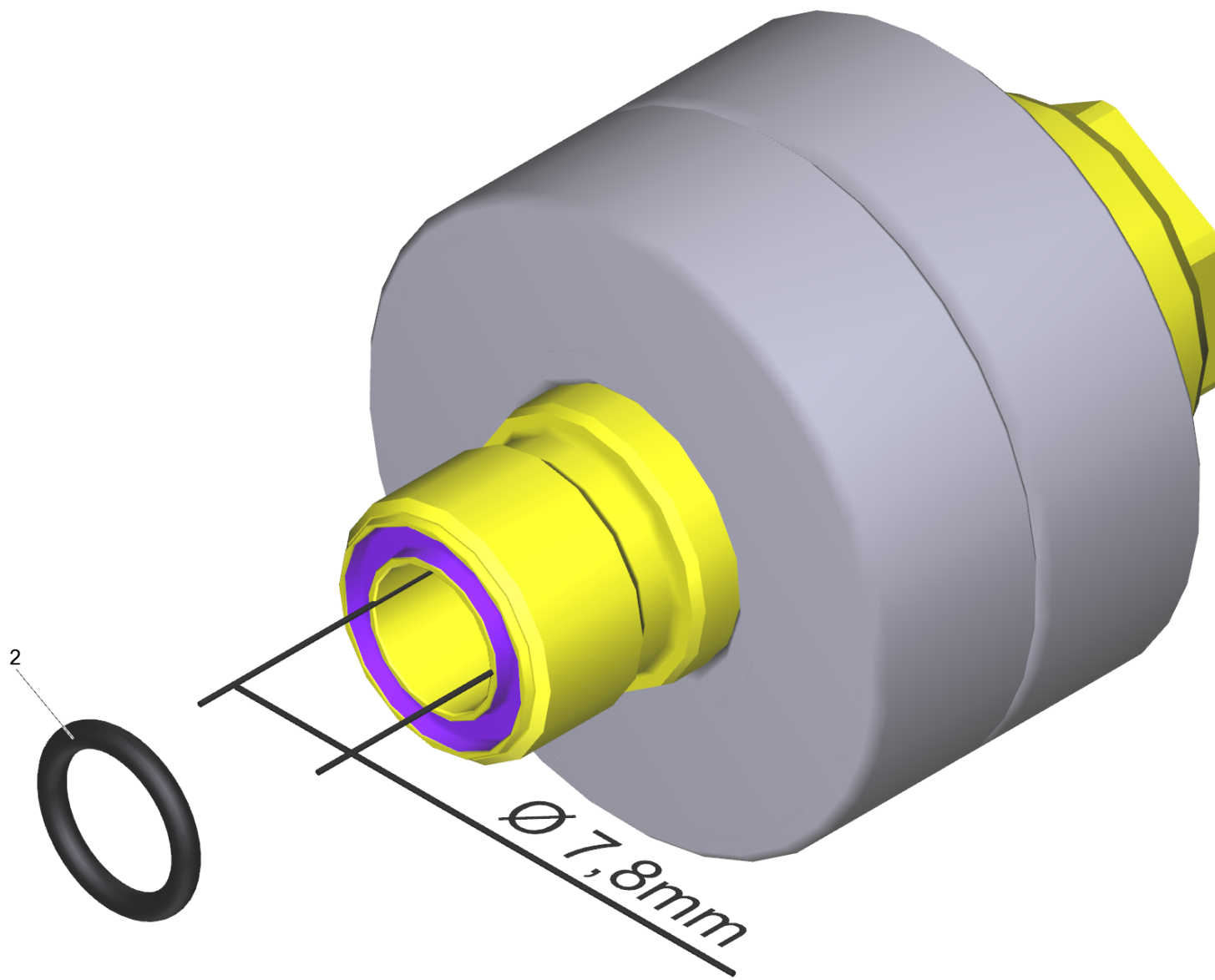


100 Suction hose FRV 30 me (4.441-019.0)

| POS | Article no. | Description | Quantity | Unit |
|------------|--------------------|------------------------|-----------------|-------------|
| 3 | 6.273-009.0 | Joint ring EPDM | 1.000 | ST |
| 4 | 6.363-340.0 | O-Ring 50 x 2,2 NBR 80 | 1.000 | ST |

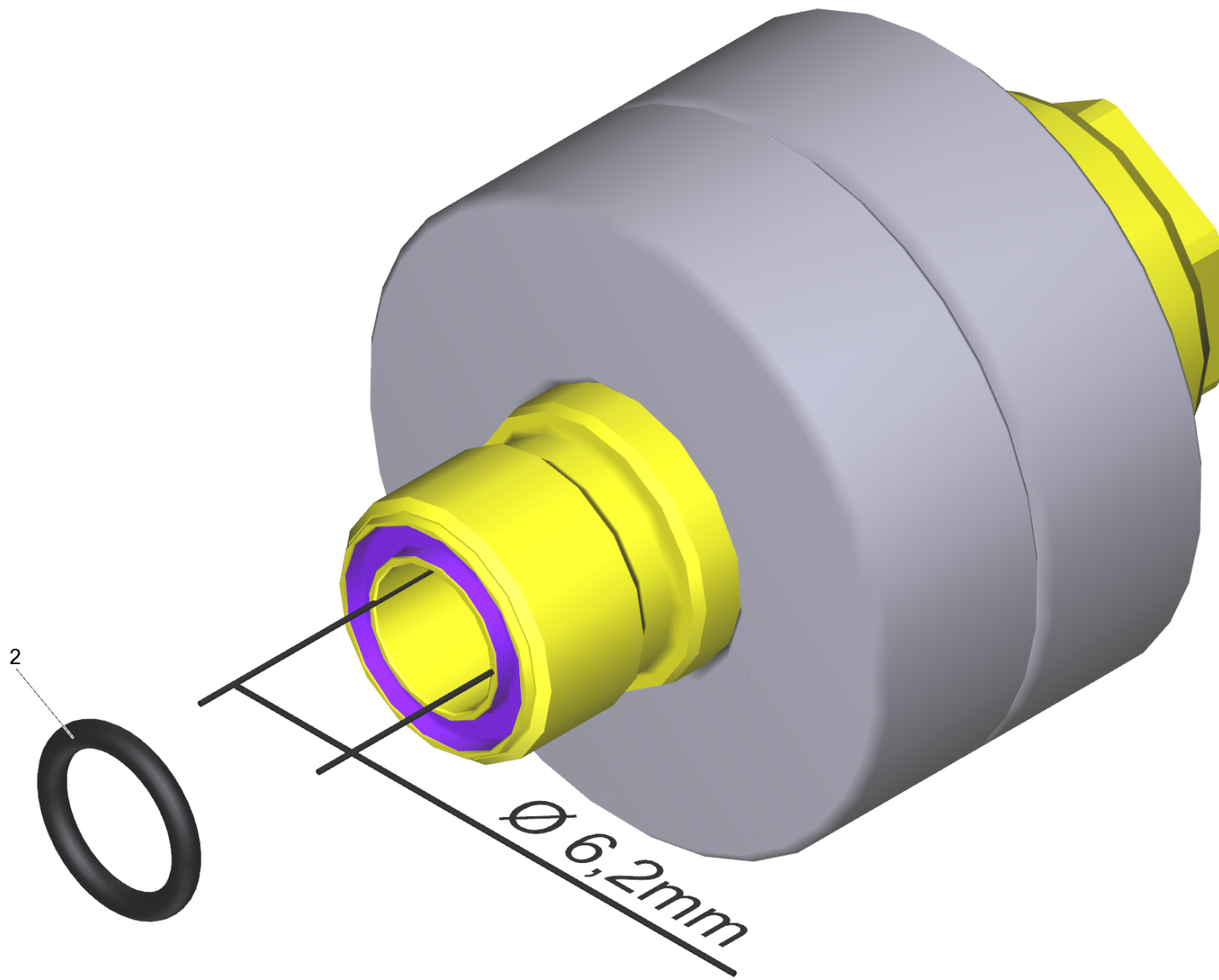
105 Accessories

| POS | Article no. | Description | Quantity | Unit | Foot note text |
|------------|--------------------|--------------------|-----------------|-------------|-------------------------|
| 5 | 6.288-072.0 | Silicon grease | 1.000 | ST | |
| 1 | 6.371-223.0 | Velcro strip | 0.300 | M | ALS METERWARE BESTELLEN |



9001 Bearing complete only for replacement (4.250-000.0)

| POS | Article no. | Description | Quantity | Unit |
|------------|--------------------|----------------------------|-----------------|-------------|
| 2 | 6.362-658.0 | O-Ring seal 7 X 1,5-NBR 90 | 1.000 | ST |



9001 Bearing complete (4.250-078.0)

| POS | Article no. | Description | Quantity | Unit |
|------------|--------------------|----------------------------|-----------------|-------------|
| 2 | 6.362-658.0 | O-Ring seal 7 X 1,5-NBR 90 | 1.000 | ST |