

## **Spare parts list**

(1.077-604.0) HDS 8/18-4M \*EU I

## Table of contents

---

HDS 8/18-4M *EU I (1.077-604.0)	4
Spare parts list HDS 8/17, 8/18 (5.970-796.0)	5
10 Housing	6
11 Housing	7
8 Device cover complete only for replaceme (4.066-426.0)	10
1 Device cover complete basalt grey RAL 70	11
30 Conversion kit holder small Kessel (2.882-691.0)	13
6 Spare parts list reversion kit holder kl (5.953-327.0)	14
10 Conversion kit holder boiler	15
32 Cover complete RM 110 (4.064-014.0)	17
12 Bottom part	19
26 Cover fuel complete (4.064-013.0)	22
13 Hose reel	24
14 Hose reel	26
20 Crank complete (4.481-263.0)	28
20 Pump set	30
21 Cylinder head	31
12 Piston complete only for replacement (4.553-198.0)	34
20 Valve (3 Stueck) (2.884-512.0)	36
34 Piston complete only for replacement (4.553-197.0)	38
40 Valve complete (4.580-594.0)	40
100 Spare part set pump (2.885-036.0)	42
1 Valve (3 Stueck) (2.884-512.0)	43
3 Valve complete (4.580-594.0)	45
22 Piston	47
30 Motor	49
31 Motor	50
32 Motor	53
40 Blower	56
50 Fuel pump	58
3 Fuel pump only for replacement (4.473-032.0)	60
6 Filter complete (4.730-167.3)	62
1 Filter complete (4.730-167.0)	63
60 Electric control box	65
70 Flow heater	68
71 Burner cover	70
10 Cover plate pressure boiler (4.654-218.0)	72
17 Conversion kit ignition electrode (2.638-974.0)	74

## Table of contents

---

72 Burner cover	76
10 Cover plate pressure boiler (4.654-218.0)	78
17 Conversion kit ignition electrode (2.638-974.0)	80
73 Burner cover	82
10 Cover plate pressure boiler (4.654-218.0)	84
17 Conversion kit ignition electrode (2.638-974.0)	86
74 Heating coil	88
75 Heating coil	90
76 Heating coil	92
10 Conversion kit holder small Kessel (2.882-691.0)	94
6 Spare parts list reversion kit holder kl (5.953-327.0)	95
10 Conversion kit holder boiler	96
77 Heating coil	98
78 Burner bottom	100
2 Bottom pressure boiler (4.655-044.0)	102
80 Float valve	104
81 Float valve	105
82 Float valve	107
90 Safety system	109
10 Safety valve complete replacement (4.580-709.0)	111
100 Accessories	113
101 Hand trigger gun	114
1 HAND TRIGGER GUN EASY PRESS (4.775-463.0)	116
9002 Lever complete (4.481-209.0)	118
4 Rotary controller 416L (4.775-470.0)	120
5 Hose assembly only for replacement DN8 4 (6.391-351.0)	122
13 Lever complete (4.481-209.0)	124
102 Hand trigger gun	126
1 Rotary controller 416L (4.775-470.0)	128
4 Hand trigger gun (4.775-466.0)	130
60 Adapter pipelines AVS-M22x1,5 (4.421-739.3)	132
9002 Lever complete (4.481-209.0)	134
13 Lever complete (4.481-209.0)	136
15 Adapter pipelines AVS-M22x1,5 (4.421-739.3)	138
103 Jet pipe	140
1 Jet pipe packaged only for replacement (4.760-660.0)	142
9 Power nozzle 25047 (2.883-894.0)	144
150 Control panel	146

HDS 8/18-4M \*EU I (1.077-604.0)

---

POS	Article no.	Description	Quantity	Unit
0	5.970-796.0	Spare parts list HDS 8/17, 8/18	1	ST

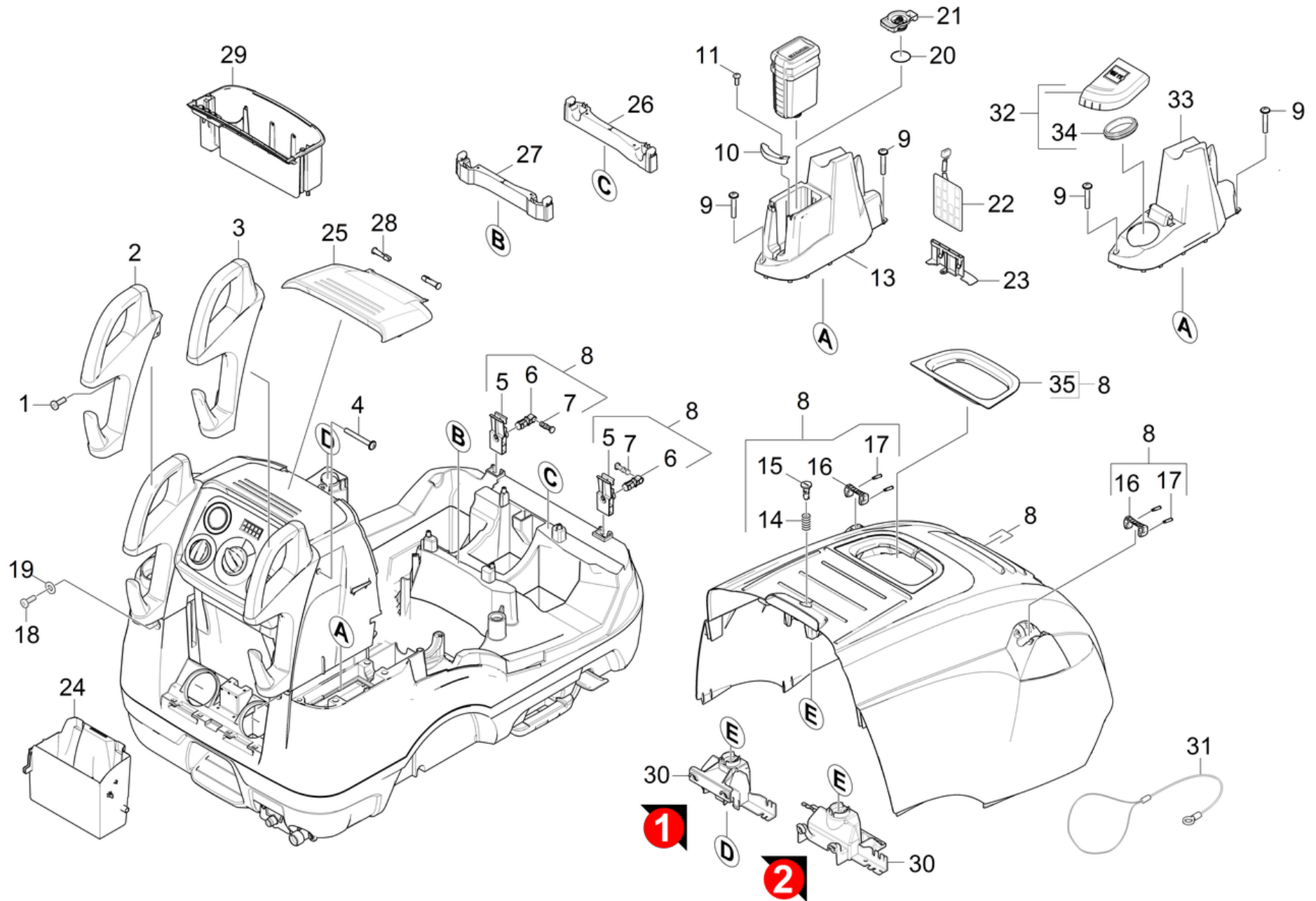
Spare parts list HDS 8/17, 8/18 (5.970-796.0)

POS	Description	Quantity	Unit
10	Housing	1	ST
20	Pump set	1	ST
30	Motor	1	ST
40	Blower	1	ST
50	Fuel pump	1	ST
60	Electric control box	1	ST
70	Flow heater	1	ST
80	Float valve	1	ST
90	Safety system	1	ST
100	Accessories	1	ST
150	Control panel	1	ST

## 10 Housing

---

<b>POS</b>	<b>Description</b>	<b>Quantity</b>	<b>Unit</b>	<b>Remark</b>
11	Housing	1	ST	
12	Bottom part	1	ST	
13	Hose reel	1	ST	VERSION 1
14	Hose reel	1	ST	VERSION 2



## 11 Housing

POS	Article no.	Description	Quantity	Unit	Remark
1	7.303-069.0	Screw M 8x25-ST-R3R (IN6RD)	2	ST	
2	5.321-830.0	Sliding handle left	1	ST	
3	5.321-831.3	Sliding handle right	1	ST	
4	7.303-209.0	Screw 6x50 -10.9-R2R (K-In6Rd)	2	ST	
5	5.501-070.0	Hinge cover	2	ST	
6	5.317-228.0	Bolt hinge	2	ST	
7	5.317-291.0	Bolt	2	ST	
8	4.066-426.0	Device cover complete only for replaceme	1	ST	
9	7.303-086.0	Screw 5x30 -10.9-R2R (K-In6Rd)	2	ST	
10	5.033-381.0	Profile	1	ST	
11	7.303-106.0	Screw 4x12 -10.9-R2R (IN6RD)	1	ST	
13	5.033-344.0	Covering cap DGT	1	ST	
	<b>Item text1:</b> 1.077-601.0 /-604.0 /-605.0 /-605.0 /				
	<b>Item text2:</b> -651.0 /-652.0				
14	5.332-236.0	Helical spring	1	ST	
15	5.316-318.0	Bolt	1	ST	
16	5.424-139.0	Fixing jet pipe	2	ST	
17	5.314-143.0	Pin fixing jet pipe	4	ST	
18	6.303-497.0	Screw M8x35-8.8-A2E (IN6RD)	2	ST	
19	7.312-277.0	Washer 8-200HV-A2E ISO7093-1	2	ST	
20	6.362-377.0	O-Ring seal 38,0 X 2,0-NBR 70	1	ST	
21	5.425-495.0	CONNECTION PIECE DGT	1	ST	
22	2.885-055.0	Circuit board	1	ST	
	<b>Item text1:</b> 1.077-601.0 /-604.0 /-605.0 /-605.0 /				
	<b>Item text2:</b> -651.0 /-652.0				
23	5.044-889.0	Holder circuit board	1	ST	
	<b>Item text1:</b> 1.077-601.0 /-604.0 /-605.0 /-605.0 /				
	<b>Item text2:</b> -651.0 /-652.0				
24	5.033-155.0	Flap	1	ST	
	<b>Item text1:</b> 1.077-601.0 /-604.0 /-605.0 /-606.0				
25	5.033-113.0	Flap	1	ST	
26	5.190-254.0	Strip cover	1	ST	
27	5.190-253.0	Strip boiler	1	ST	



## 11 Housing

---

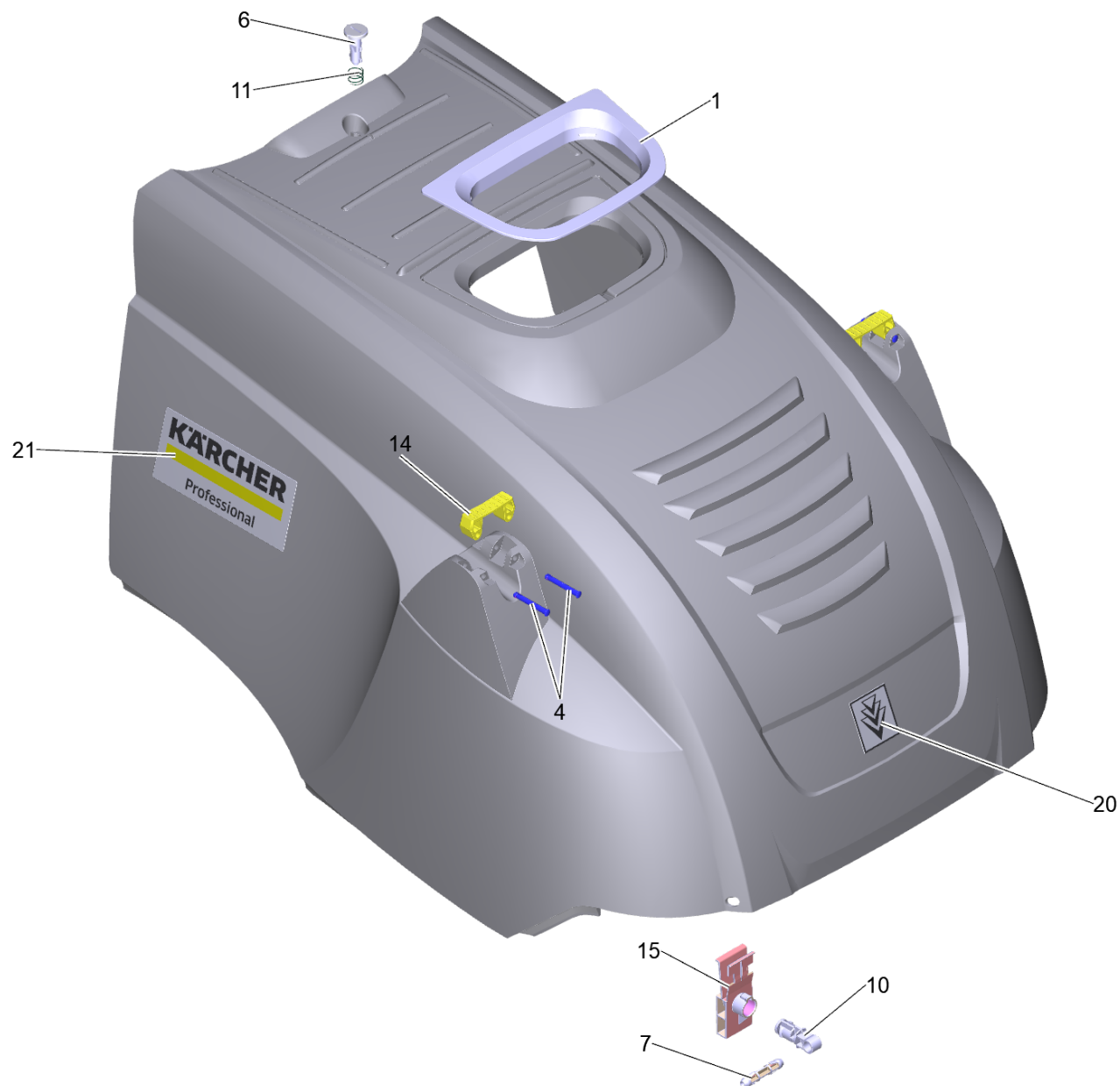
POS	Article no.	Description	Quantity	Unit	Remark
28	5.317-220.0	Bolt	2	ST	
29	5.033-112.0	Storage compartment	1	ST	
30	2.882-691.0	Conversion kit holder small Kessel	1	ST	VERSION 2
30	5.412-015.0	Closure cover	1	ST	VERSION 1
31	6.431-274.0	Tackle cover	1	ST	
32	4.064-014.0	Cover complete RM 110	1	ST	
	<b>Item text1:</b> 1.077-606.0				
33	5.033-118.0	Covering cap box DGT	1	ST	
	<b>Item text1:</b> 1.077-606.0				
34	5.363-300.0	Joint ring	1	ST	
	<b>Item text1:</b> 1.077-606.0				
35	5.061-455.0	Sheet metal component	1	ST	

8 Device cover complete only for replaceme (4.066-426.0)

---

POS	Description	Quantity	Unit
1	Device cover complete basalt grey RAL 70	1	ST

---



## 1 Device cover complete basalt grey RAL 70

---

<b>POS</b>	<b>Article no.</b>	<b>Description</b>	<b>Quantity</b>	<b>Unit</b>
1	5.061-455.0	Sheet metal component	1	ST
4	5.314-143.0	Pin fixing jet pipe	4	ST
6	5.317-765.0	Bolt closure cover	1	ST
7	5.317-291.0	Bolt	2	ST
10	5.317-779.0	Bolt hinge black	2	ST
11	5.332-236.0	Helical spring	1	ST
14	5.424-162.0	Fixing jet pipe	2	ST
15	5.501-083.0	Hinge cover black	2	ST
20	5.385-517.0	Label signet glued L Professional	1	ST
21	5.385-513.0	Label logo glued XL Professional	2	ST

30 Conversion kit holder small Kessel (2.882-691.0)

---

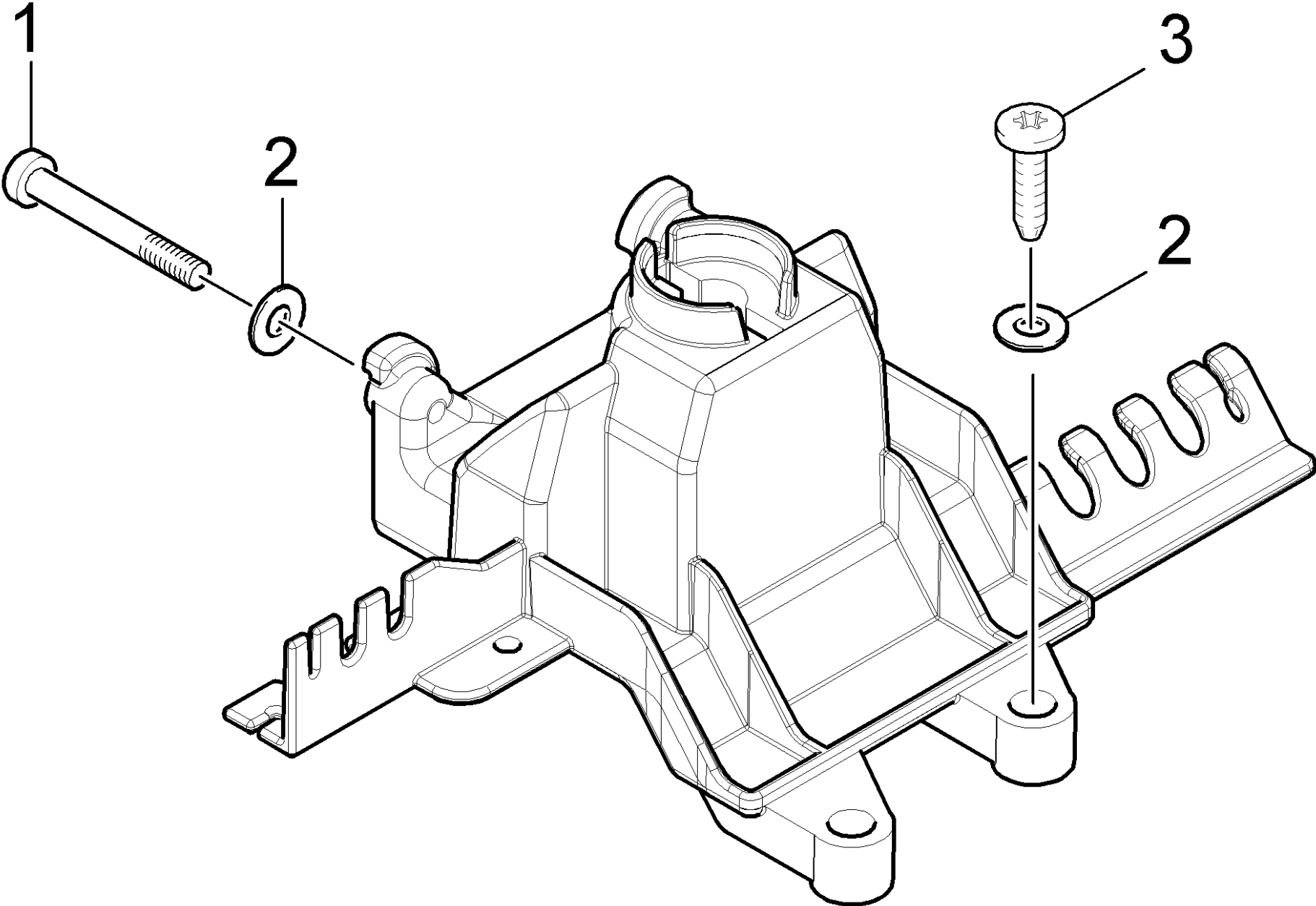
<b>POS</b>	<b>Article no.</b>	<b>Description</b>	<b>Quantity</b>	<b>Unit</b>
6	5.953-327.0	Spare parts list reversion kit holder kl	1	ST

6 Spare parts list reversion kit holder kl (5.953-327.0)

---

<b>POS</b>	<b>Description</b>	<b>Quantity</b>	<b>Unit</b>
10	Conversion kit holder boiler	1	ST

---

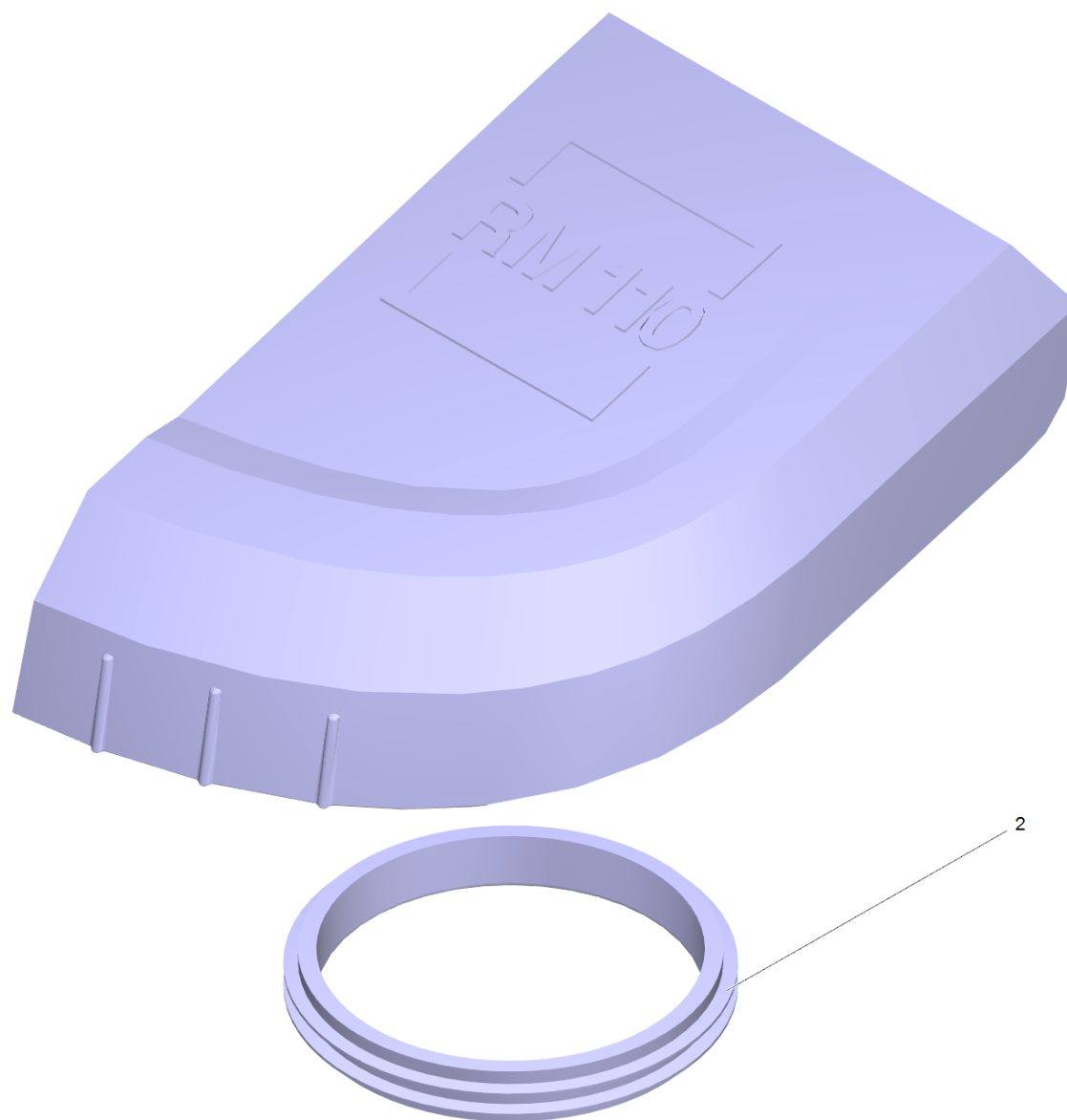


## 10 Conversion kit holder boiler

---

<b>POS</b>	<b>Article no.</b>	<b>Description</b>	<b>Quantity</b>	<b>Unit</b>
1	7.303-111.0	Screw 5x50 -10.9-R2R (K-In6Rd)	2	ST
2	7.312-278.0	Washer 5-200HV-A2E ISO7093-1	4	ST
3	6.303-320.0	Screw M 5x 20-St-R2R	2	ST

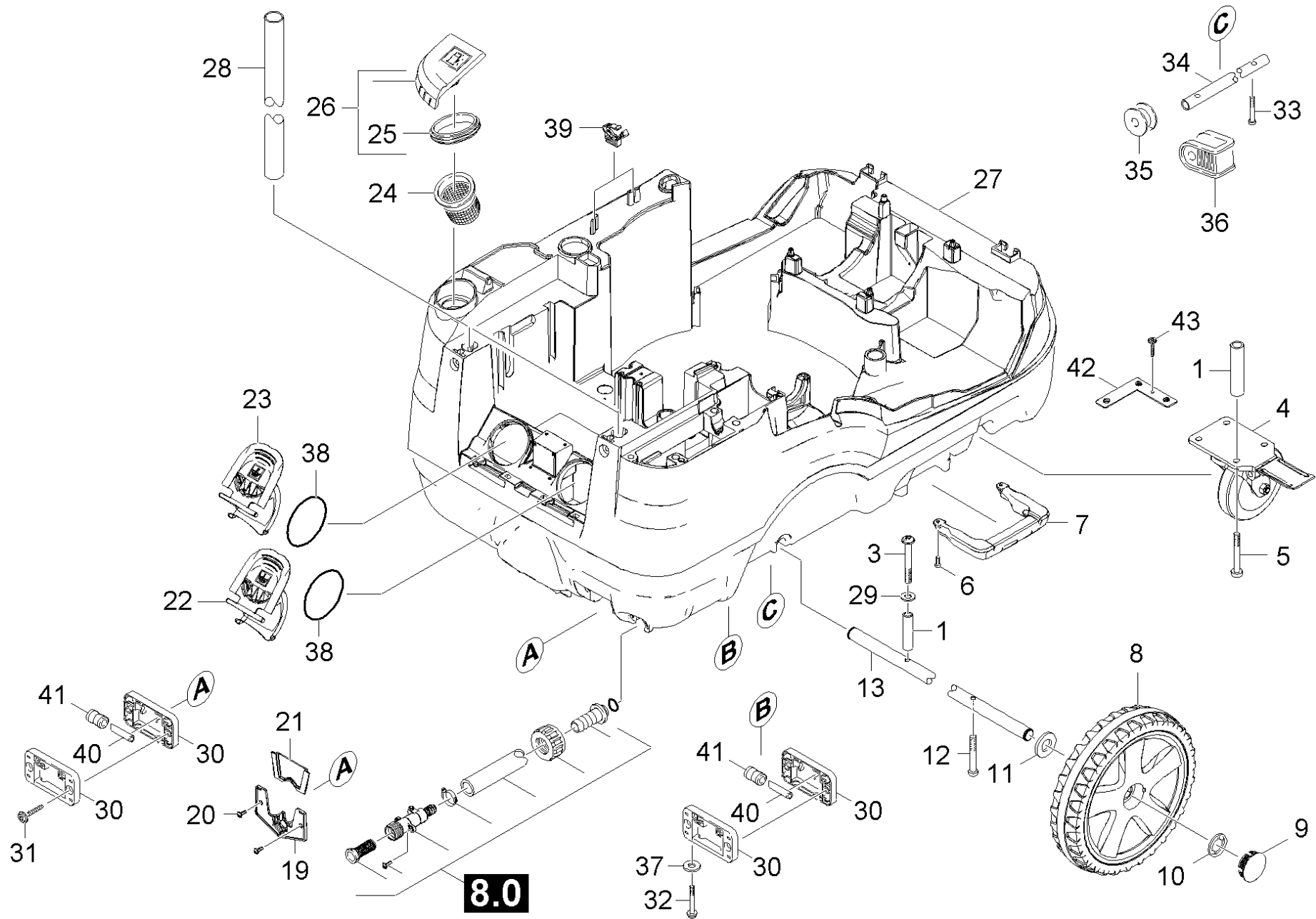




32 Cover complete RM 110 (4.064-014.0)

---

<b>POS</b>	<b>Article no.</b>	<b>Description</b>	<b>Quantity</b>	<b>Unit</b>
2	5.363-300.0	Joint ring	1	ST

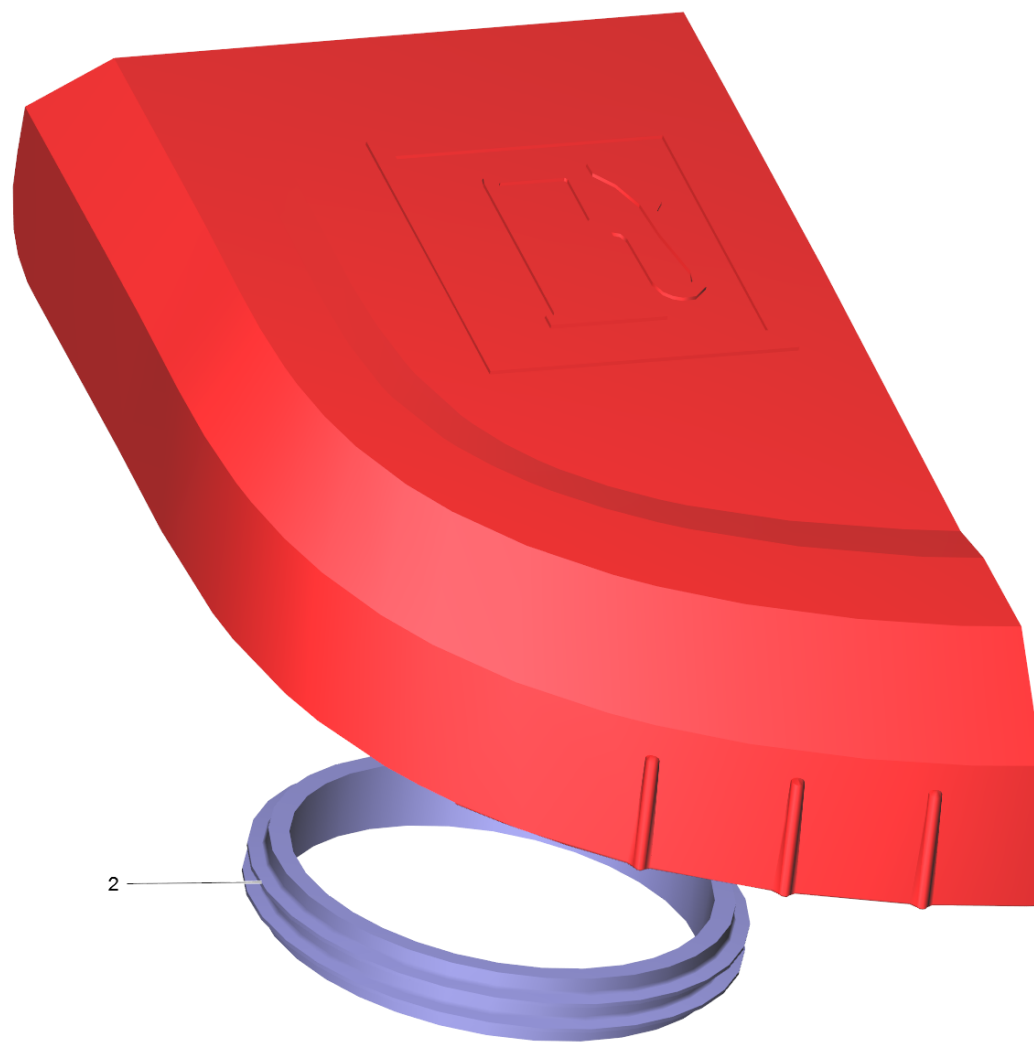


## 12 Bottom part

POS	Article no.	Description	Quantity	Unit
1	5.111-065.0	Spacer sleeve	2	ST
3	7.303-236.0	Screw M 8x60-St-A3E (IN6RD)	1	ST
4	6.435-747.0	Castor	1	ST
5	7.303-237.0	Screw M 8x70-St-A3K (IN6RD)	3	ST
6	7.303-046.0	Screw M6x12 -St-R3R (In6Rd)	4	ST
7	5.424-136.0	Fixing	2	ST
8	4.515-263.0	Wheel complete	2	ST
9	5.392-038.0	Wheel cap	2	ST
10	6.343-162.0	Lock washer -25	2	ST
11	7.312-060.0	Washer 24-100HV-A3E ISO 7091	2	ST
12	7.303-236.0	Screw M 8x60-St-A3E (IN6RD)	1	ST
13	5.105-652.0	Axle	1	ST
19	5.263-087.0	Tensioning part	1	ST
	<b>Item text1:</b> 1.077-601.0 /-604.0 /-605.0 /-606.0			
20	7.303-086.0	Screw 5x30 -10.9-R2R (K-In6Rd)	2	ST
	<b>Item text1:</b> 1.077-601.0 /-604.0 /-605.0 /-606.0			
21	5.263-088.0	Tensioning part	1	ST
	<b>Item text1:</b> 1.077-601.0 /-604.0 /-605.0 /-606.0			
22	5.064-231.0	Cover chemistry 2	1	ST
23	5.064-221.0	Cover chemistry 1	1	ST
24	5.731-039.0	Filter	1	ST
25	5.363-300.0	Joint ring	1	ST
26	4.064-013.0	Cover fuel complete	1	ST
27	4.051-109.0	Frame neue M-Klasse Ersatz	1	ST
28	5.027-292.0	Tube handhold	1	ST
29	7.312-277.0	Washer 8-200HV-A2E ISO7093-1	1	ST
30	5.044-646.0	Holder roller front	4	ST
	<b>Item text1:</b> 1.077-651.0 /-652.0			
31	7.303-118.0	Screw 5x40 -A2-70 (IN6Rd)	2	ST
	<b>Item text1:</b> 1.077-651.0 /-652.0			
32	7.303-171.0	Screw 5x80 -10.9-R2R (K-In6Rd)	2	ST
	<b>Item text1:</b> 1.077-651.0 /-652.0			
33	7.303-086.0	Screw 5x30 -10.9-R2R (K-In6Rd)	2	ST

12 Bottom part

POS	Article no.	Description	Quantity	Unit
	<b>Item text1:</b> 1.077-651.0 /-652.0			
34	5.033-524.0	Axle	1	ST
	<b>Item text1:</b> 1.077-651.0 /-652.0			
35	5.515-112.0	Deflection pulley	1	ST
	<b>Item text1:</b> 1.077-651.0 /-652.0			
36	5.033-415.0	Slider	1	ST
	<b>Item text1:</b> 1.077-651.0 /-652.0			
37	7.312-278.0	Washer 5-200HV-A2E ISO7093-1	2	ST
38	6.363-443.0	O-Ring seal 75x5	2	ST
39	5.802-306.0	Holder cable	2	ST
40	5.128-511.0	Axle	6	ST
41	5.515-191.0	Roller	6	ST
42	5.424-137.0	Fixing castor	1	ST
43	7.303-107.0	Screw 5x16 -10.9-P2R (K-In6Rd)	1	ST

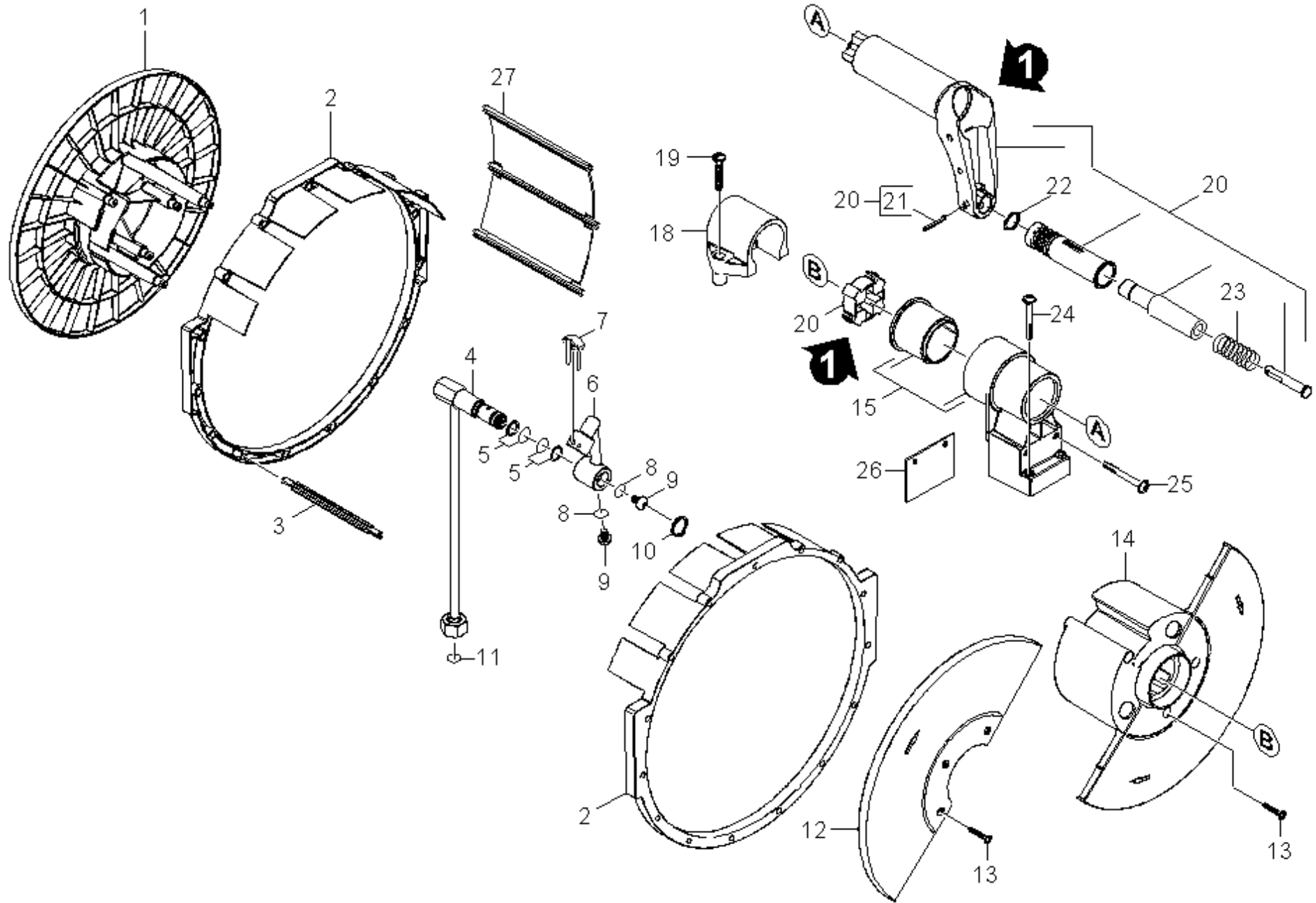


26 Cover fuel complete (4.064-013.0)

---

<b>POS</b>	<b>Article no.</b>	<b>Description</b>	<b>Quantity</b>	<b>Unit</b>
2	5.363-300.0	Joint ring	1	ST

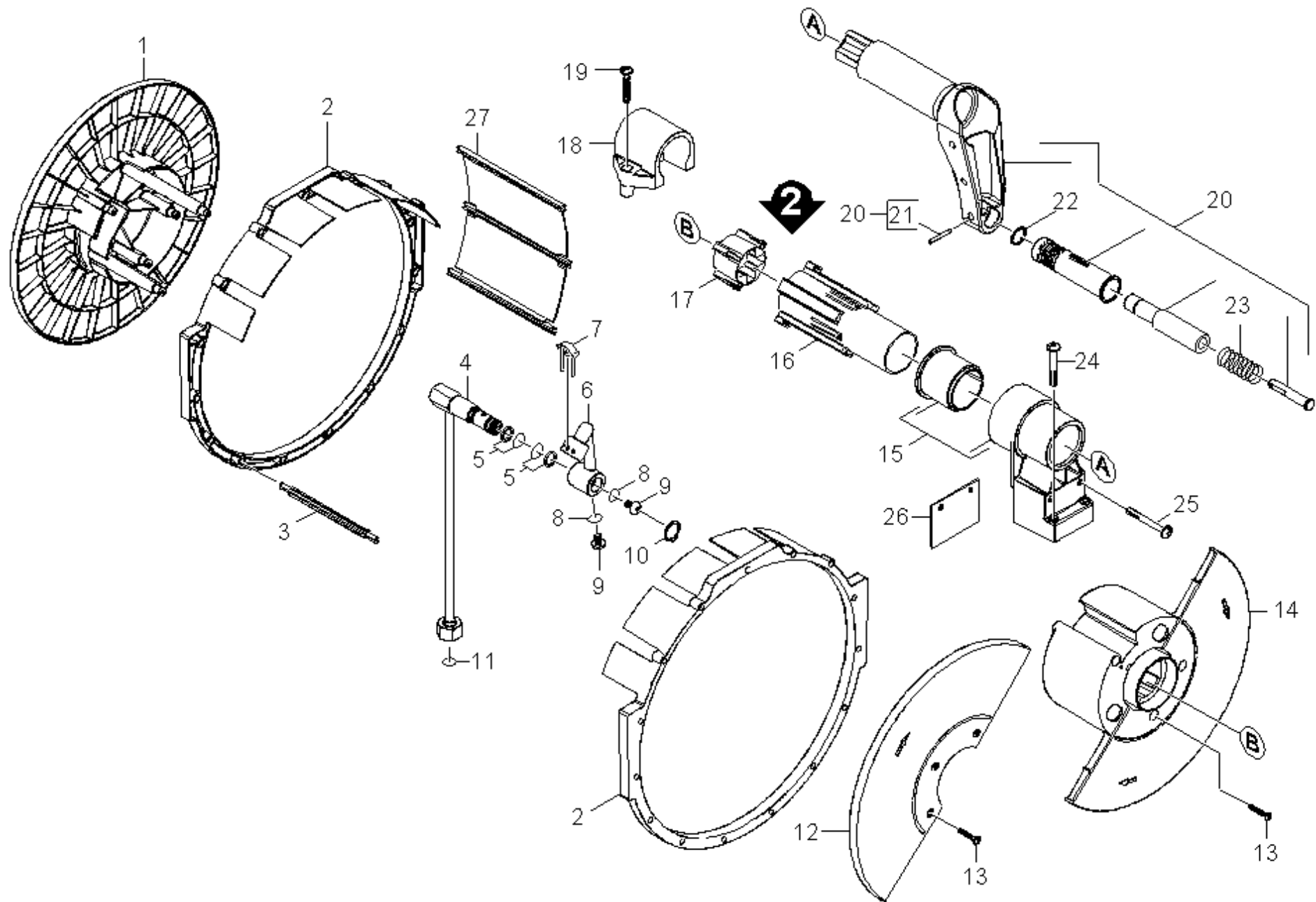
---





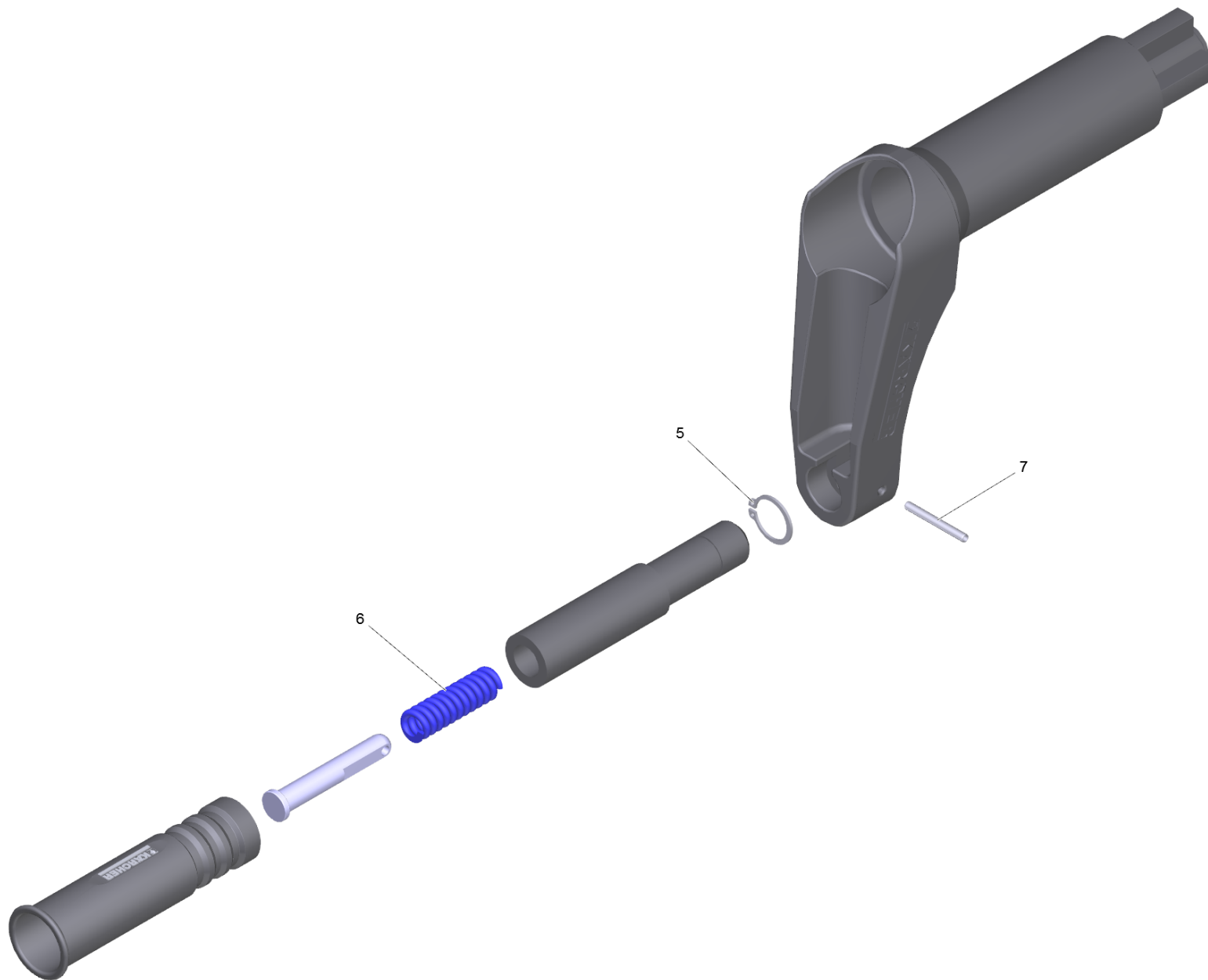
## 13 Hose reel

POS	Article no.	Description	Quantity	Unit
1	5.776-019.0	Hose reel left half	1	ST
2	5.044-849.0	Cage	2	ST
3	5.027-295.0	Rod	9	ST
4	4.422-103.0	Pipelines	1	ST
5	6.363-073.3	O-Ring seal cpl. 14x1,78 1XSRH-NBR	2	ST
6	5.427-310.0	Manifold	1	ST
7	4.037-013.0	Hook	1	ST
8	6.363-484.0	O-Ring seal 8 x 2,2 mm HNBR Shore 80	2	ST
9	7.306-223.0	Screw M8x12 -A2-70 (In6Rd)	2	ST
10	7.343-018.0	Locking ring 18x1,2-Rf-St DIN 471	1	ST
11	6.363-485.0	O-Ring seal 10x 2 mm HNBR Shore 80	1	ST
12	5.776-021.0	Hose reel right half 2	1	ST
13	7.303-108.0	Screw 5x20 -10.9-R2R (In6Rd)	6	ST
14	5.776-020.0	Hose reel right half 1	1	ST
15	4.251-051.0	Bearing support completely	1	ST
18	5.251-060.0	Bearing support bottom part	1	ST
19	7.303-118.0	Screw 5x40 -A2-70 (IN6Rd)	2	ST
20	2.885-146.0	Repair set hose reel	1	ST
21	7.314-967.0	Spring pin 4x35 -St ISO 13337	1	ST
22	7.343-007.0	Locking ring 20x1,2-FST-RF DIN 471	1	ST
23	5.332-005.0	Helical spring	1	ST
24	7.303-209.0	Screw 6x50 -10.9-R2R (K-In6Rd)	2	ST
25	7.306-201.0	Screw M 6x55-A2-70 (IN6RD)	2	ST
26	5.762-400.0	Bracket	1	ST
27	5.394-853.0	Protection part	1	ST



## 14 Hose reel

POS	Article no.	Description	Quantity	Unit
1	5.776-019.0	Hose reel left half	1	ST
2	5.044-849.0	Cage	2	ST
3	5.027-295.0	Rod	11	ST
4	4.422-103.0	Pipelines	1	ST
5	6.363-073.3	O-Ring seal cpl. 14x1,78 1XSRH-NBR	2	ST
6	5.427-310.0	Manifold	1	ST
7	4.037-013.0	Hook	1	ST
8	6.363-484.0	O-Ring seal 8 x 2,2 mm HNBR Shore 80	2	ST
9	7.306-223.0	Screw M8x12 -A2-70 (In6Rd)	2	ST
10	7.343-018.0	Locking ring 18x1,2-Rf-St DIN 471	1	ST
11	6.363-485.0	O-Ring seal 10x 2 mm HNBR Shore 80	1	ST
12	5.776-021.0	Hose reel right half 2	1	ST
13	7.303-108.0	Screw 5x20 -10.9-R2R (In6Rd)	6	ST
14	5.776-020.0	Hose reel right half 1	1	ST
15	4.251-051.0	Bearing support completely	1	ST
16	5.251-070.0	Carrier aussen	1	ST
17	5.251-069.0	Carrier innen	1	ST
18	5.251-060.0	Bearing support bottom part	1	ST
19	7.303-118.0	Screw 5x40 -A2-70 (IN6Rd)	2	ST
20	4.481-263.0	Crank complete	1	ST
21	7.314-967.0	Spring pin 4x35 -St ISO 13337	1	ST
22	7.343-007.0	Locking ring 20x1,2-FST-RF DIN 471	1	ST
23	5.332-005.0	Helical spring	1	ST
24	7.303-209.0	Screw 6x50 -10.9-R2R (K-In6Rd)	2	ST
25	7.306-201.0	Screw M 6x55-A2-70 (IN6RD)	2	ST
26	5.762-400.0	Bracket	1	ST
27	5.394-853.0	Protection part	1	ST



20 Crank complete (4.481-263.0)

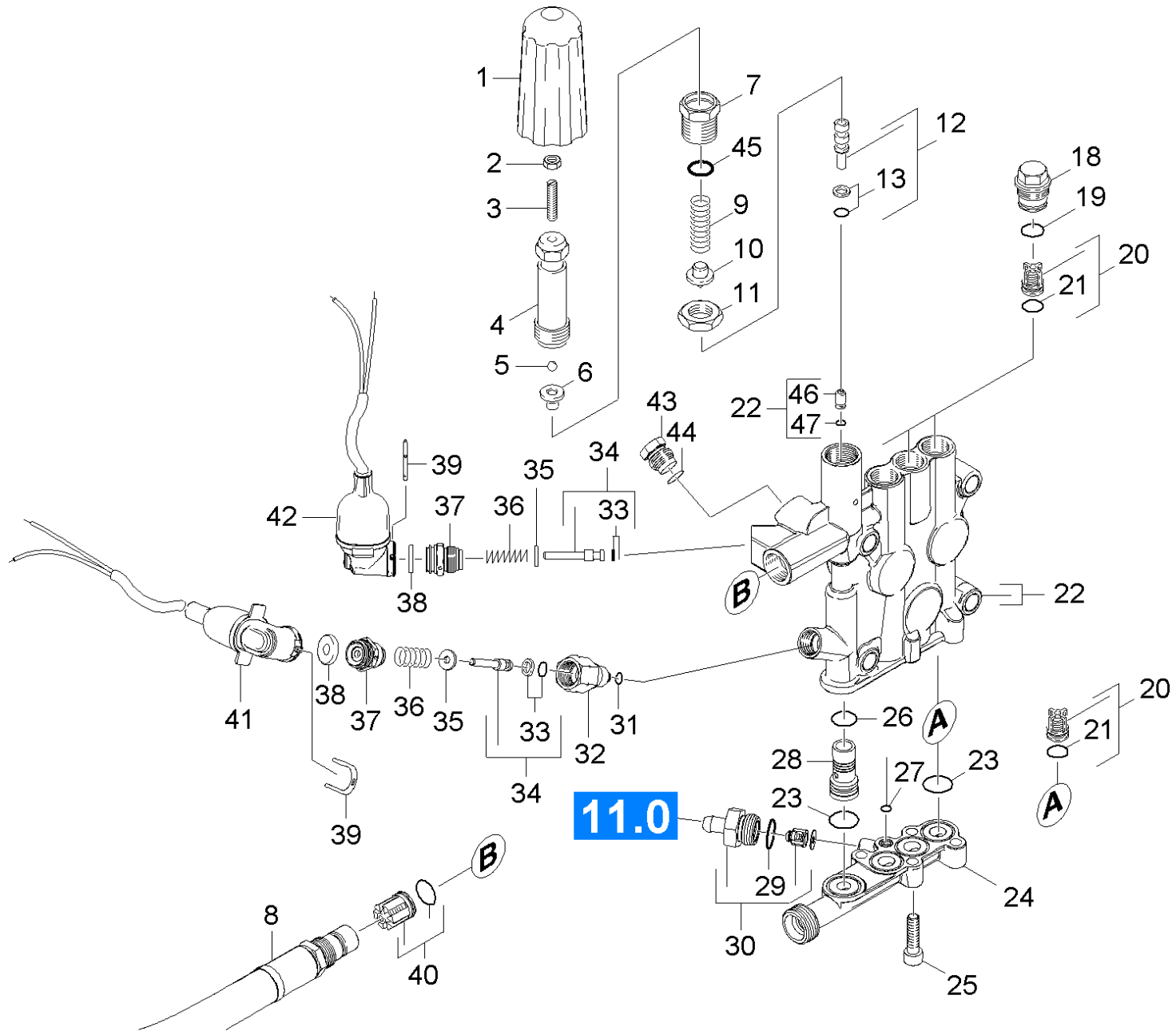
---

<b>POS</b>	<b>Article no.</b>	<b>Description</b>	<b>Quantity</b>	<b>Unit</b>
5	7.343-007.0	Locking ring 20x1,2-FST-RF DIN 471	1	ST
6	5.332-005.0	Helical spring	1	ST
7	7.314-967.0	Spring pin 4x35 -St ISO 13337	1	ST

## 20 Pump set

---

<b>POS</b>	<b>Description</b>	<b>Quantity</b>	<b>Unit</b>
21	Cylinder head	1	ST
22	Piston	1	ST



## 21 Cylinder head

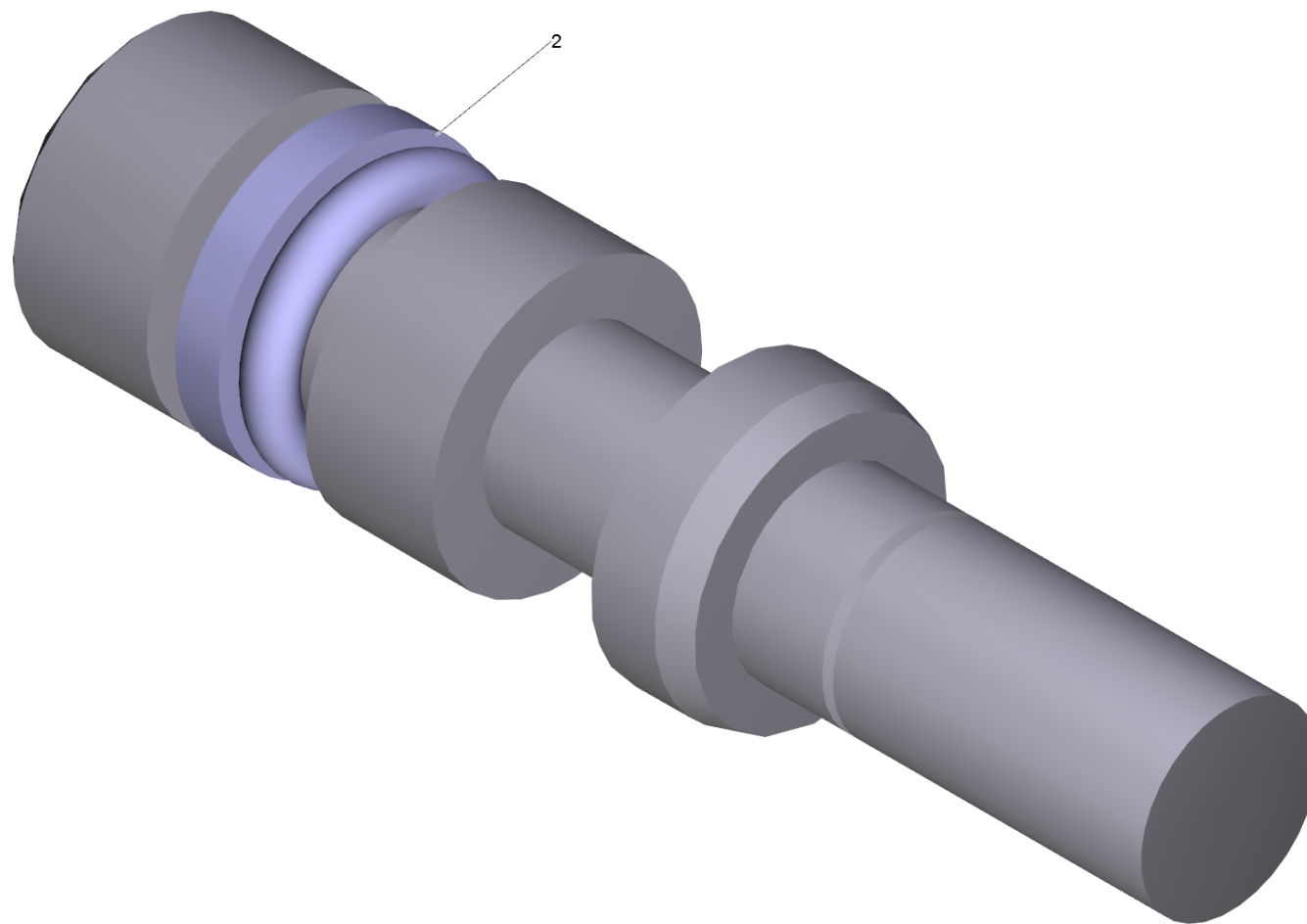
POS	Article no.	Description	Quantity	Unit
1	5.321-579.0	Handle	1	ST
2	7.311-002.0	Hexagon nut M5 -6-A2E ISO 4032	1	ST
3	7.307-017.0	Threaded pin M5x40 -St-45H-A2E ISO 4026	1	ST
4	5.304-070.0	Hexagonal head screw	1	ST
5	7.401-931.0	Sphere 5 KI3 -1.4401 DIN 5401	1	ST
6	5.582-121.0	Valve disc	1	ST
7	5.404-082.0	Hollow screw	1	ST
8	6.391-629.0	High pressure hose DN 13	1	ST
9	5.332-444.0	Helical spring	1	ST
10	5.584-114.0	Valve pin	1	ST
11	5.311-204.0	Hexagon nut M22x1,5	1	ST
12	4.553-198.0	Piston complete only for replacement	1	ST
13	6.362-468.0	O-Ring seal complete 1ST.-R.	1	ST
18	5.583-146.3	Valve screw	3	ST
19	6.362-481.0	O-Ring seal 14,0 x 2,0 NBR 80	3	ST
20	2.884-512.0	Valve (3 Stueck)	2	ST
21	6.363-003.0	O-Ring seal 13,0 X 2,0-NBR 90	6	ST
22	4.550-888.0	Cylinder head complete	1	ST
23	6.363-536.0	O-Ring seal 21x1,5	4	ST
24	5.427-416.3	Manifold water intake	1	ST
25	7.306-043.0	Cylinder head screw M8x30 -8.8-A2E ISO	4	ST
26	6.362-381.0	O-Ring seal 13x2 - NBR 70	1	ST
27	6.362-703.0	O-Ring seal 6,0x1,5-NBR 70	1	ST
28	5.110-863.0	Sleeve	1	ST
29	6.362-427.0	O-Ring seal 15,0x2,0	1	ST
30	4.580-581.3	Valve complete	1	ST
31	6.362-853.0	O-Ring seal 4,47x1,78	1	ST
32	5.402-705.3	Joining piece	1	ST
33	6.363-037.0	O-Ring seal complete 1ST.-R.	2	ST
34	4.553-197.0	Piston complete only for replacement	2	ST
35	5.115-796.0	Washer	2	ST
36	5.332-268.0	Helical spring	2	ST
37	5.411-148.0	Screw plug	2	ST



## 21 Cylinder head

---

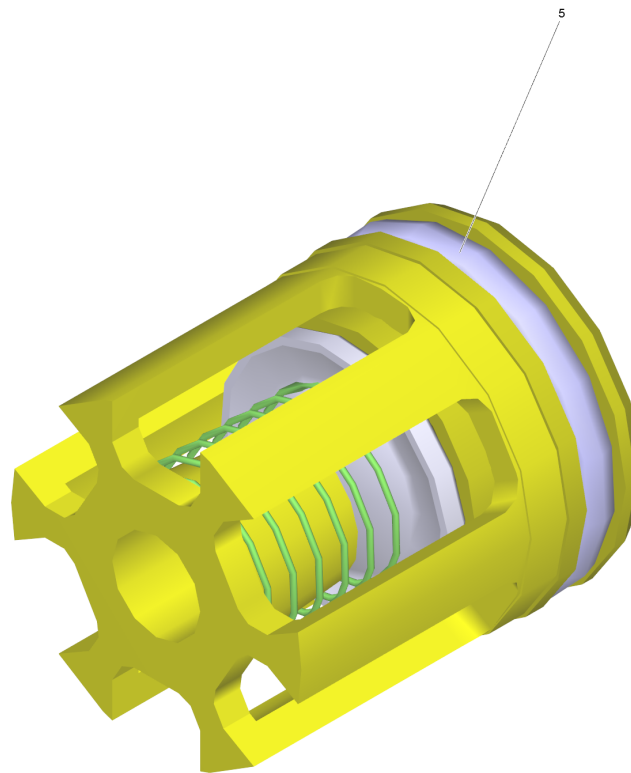
POS	Article no.	Description	Quantity	Unit
38	5.367-030.0	Diaphragm	2	ST
39	5.034-494.0	Retaining bracket	2	ST
40	4.580-594.0	Valve complete	1	ST
41	4.744-225.3	Switch complete	1	ST
42	4.744-224.0	Switch complete	1	ST
43	5.411-504.0	Screw plug	1	ST
44	6.362-176.0	O-Ring seal 6,07x1,78	1	ST
45	6.362-079.0	O-Ring seal 18,0 X 2,5	1	ST
46	5.581-239.0	Valve seat	1	ST
47	6.362-386.0	O-Ring seal 5,0 x 1,5-NBR 80	1	ST
100	2.885-036.0	Spare part set pump	1	ST



12 Piston complete only for replacement (4.553-198.0)

---

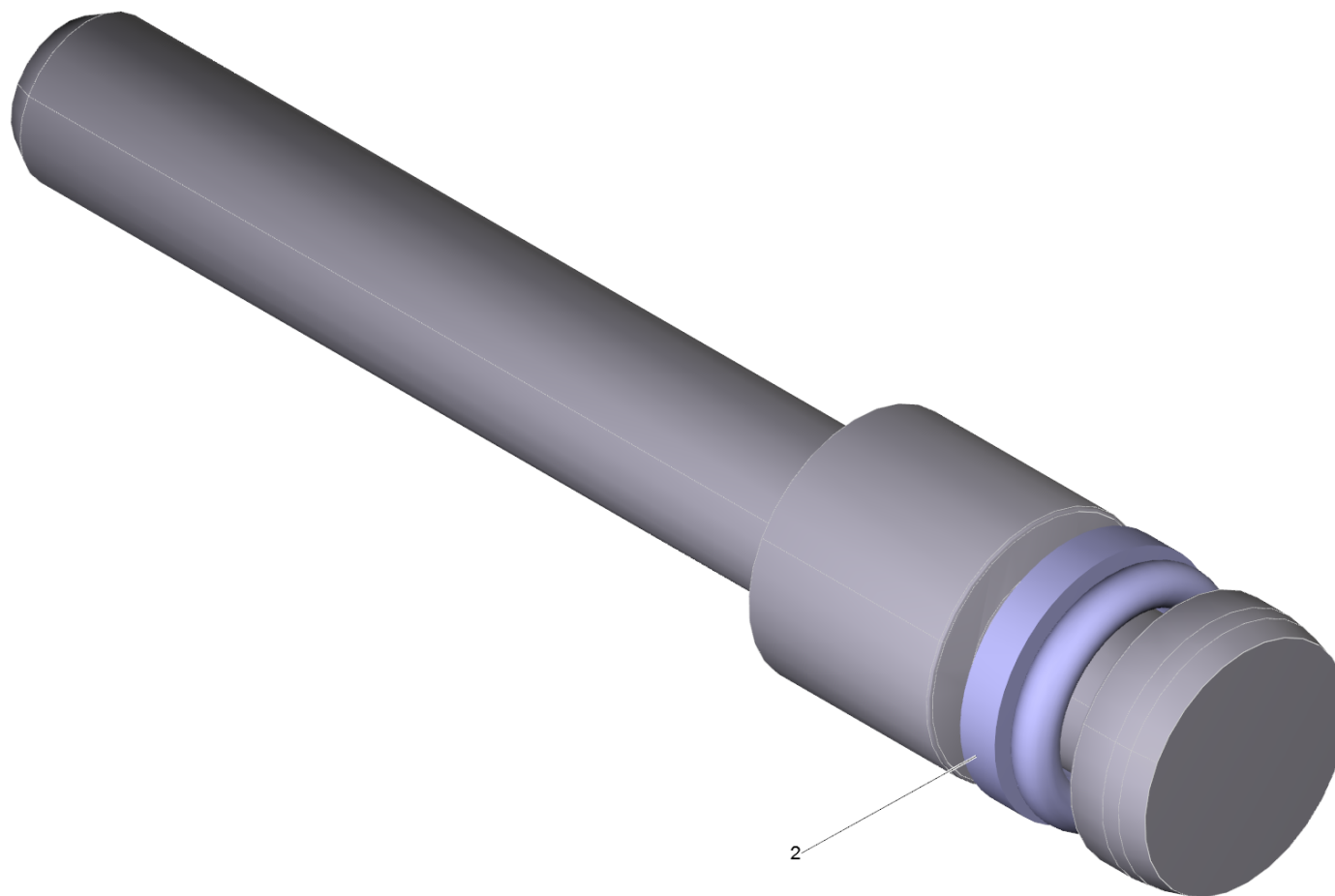
POS	Article no.	Description	Quantity	Unit
2	6.362-468.0	O-Ring seal complete 1ST.-R.	1	ST



20 Valve (3 Stueck) (2.884-512.0)

---

POS	Article no.	Description	Quantity	Unit
5	6.363-003.0	O-Ring seal 13,0 X 2,0-NBR 90	1	ST

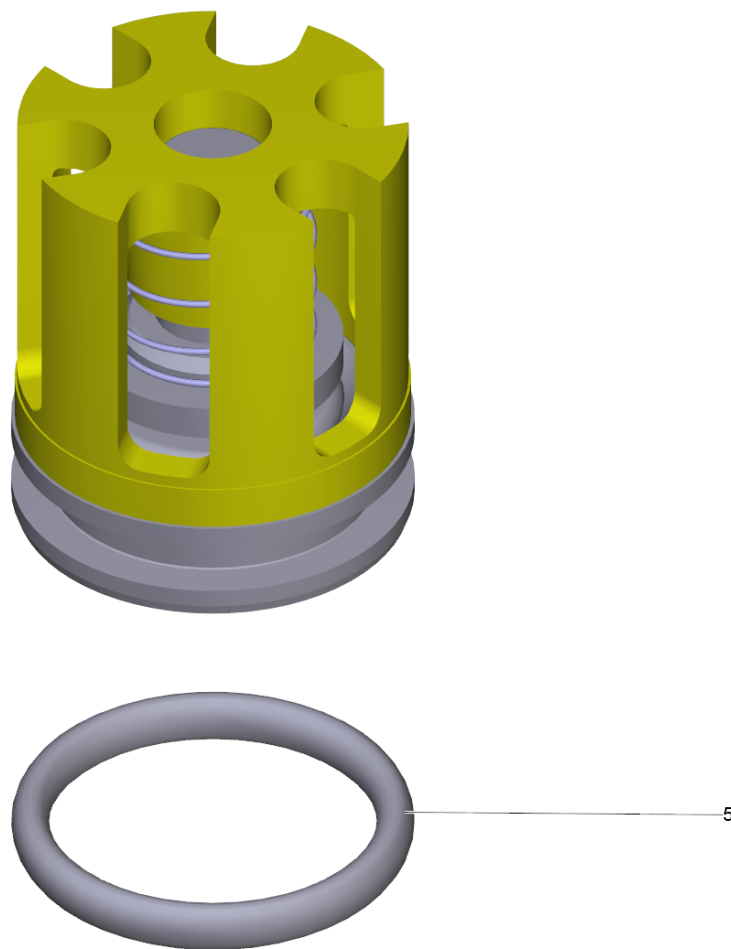


34 Piston complete only for replacement (4.553-197.0)

---

<b>POS</b>	<b>Article no.</b>	<b>Description</b>	<b>Quantity</b>	<b>Unit</b>
2	6.363-037.0	O-Ring seal complete 1ST.-R.	1	ST

---





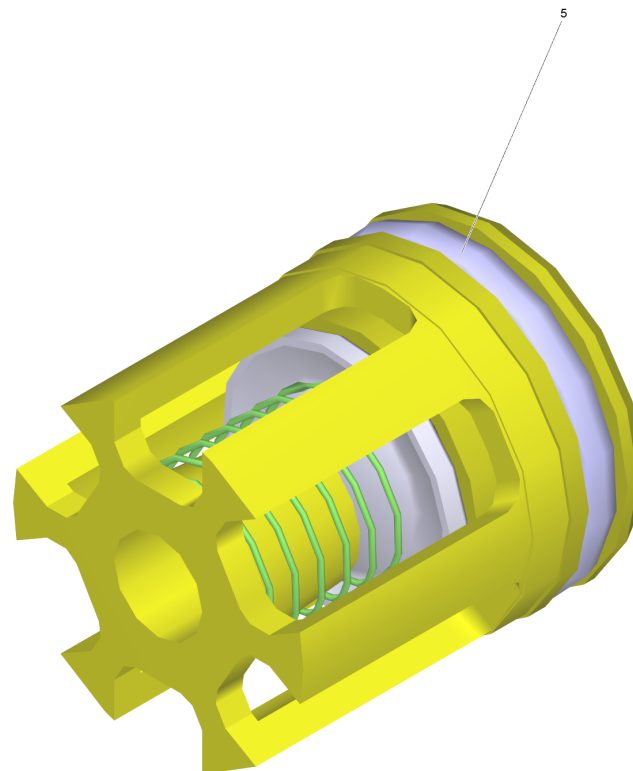
40 Valve complete (4.580-594.0)

---

<b>POS</b>	<b>Article no.</b>	<b>Description</b>	<b>Quantity</b>	<b>Unit</b>
5	6.362-381.0	O-Ring seal 13x2 - NBR 70	1	ST

100 Spare part set pump (2.885-036.0)

POS	Article no.	Description	Quantity	Unit
1	2.884-512.0	Valve (3 Stueck)	2	ST
2	4.580-581.3	Valve complete	1	ST
3	4.580-594.0	Valve complete	1	ST
4	5.034-494.0	Retaining bracket	2	ST
5	5.115-431.0	Washer	3	ST
6	5.115-432.0	Washer	3	ST
7	5.115-796.0	Washer	2	ST
8	6.362-406.0	O-Ring seal 33,05X 1,78-NBR 70	3	ST
9	6.362-468.0	O-Ring seal complete 1ST.-R.	1	ST
10	6.362-481.0	O-Ring seal 14,0 x 2,0 NBR 80	3	ST
11	6.362-547.0	O-Ring seal 20,0x1,5-NBR 70	4	ST
12	6.365-332.0	Compact seal 18x28x5,8	3	ST
13	6.365-333.0	Grooved ring 18X26X5,4	3	ST

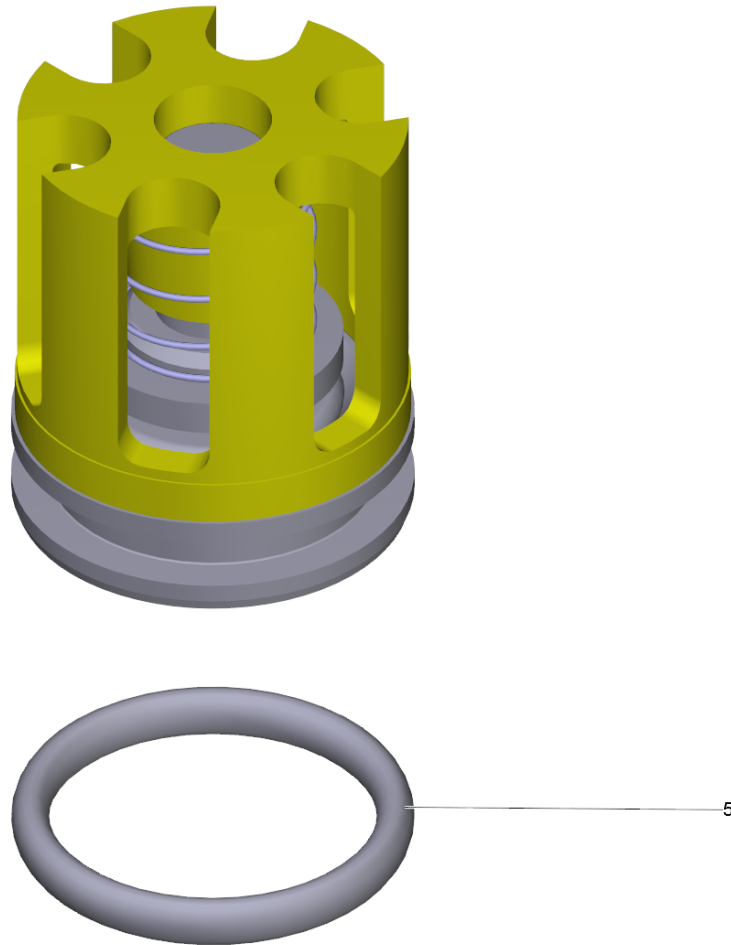


1 Valve (3 Stueck) (2.884-512.0)

---

POS	Article no.	Description	Quantity	Unit
5	6.363-003.0	O-Ring seal 13,0 X 2,0-NBR 90	1	ST

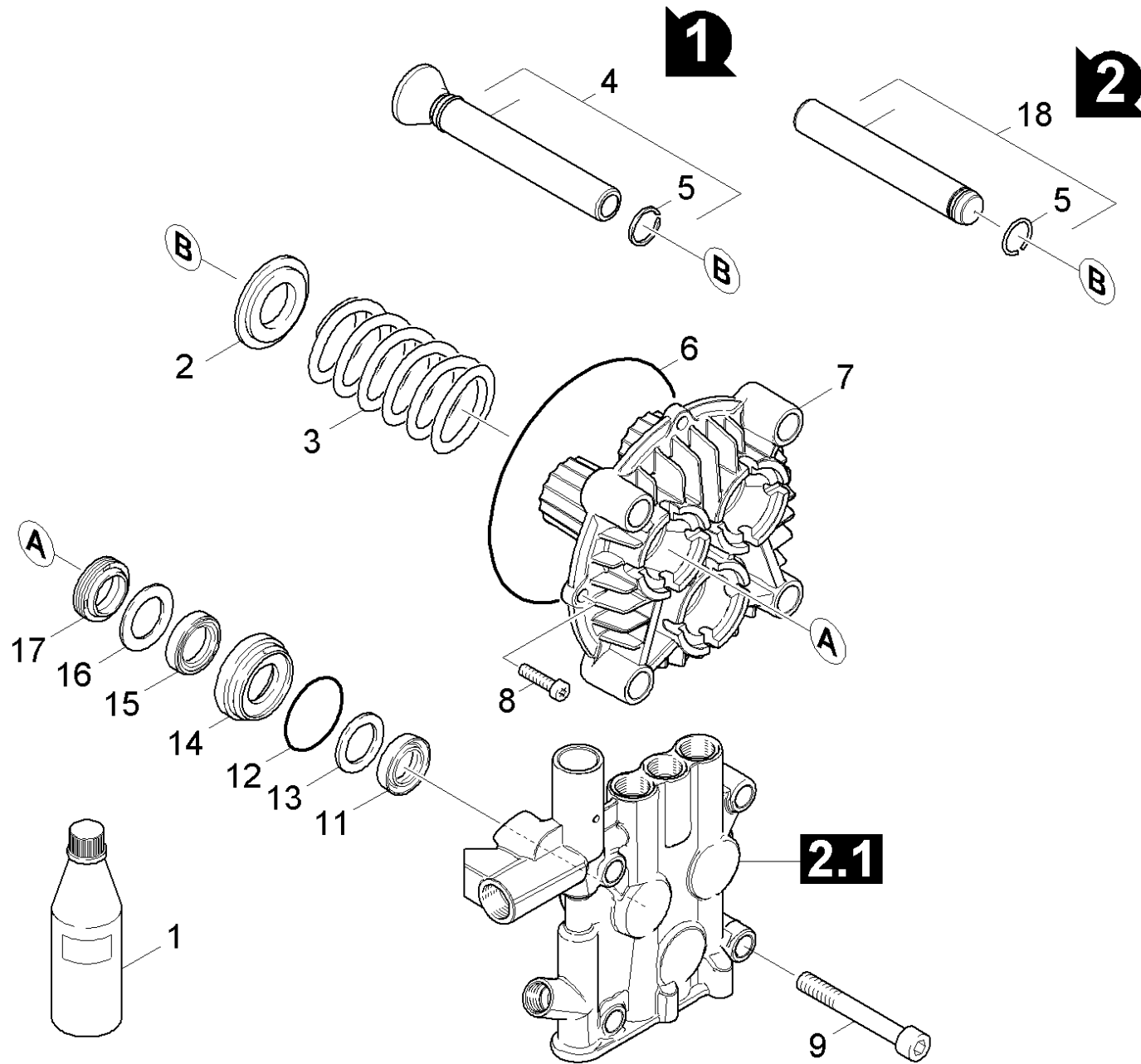
---



3 Valve complete (4.580-594.0)

---

<b>POS</b>	<b>Article no.</b>	<b>Description</b>	<b>Quantity</b>	<b>Unit</b>
5	6.362-381.0	O-Ring seal 13x2 - NBR 70	1	ST



## 22 Piston

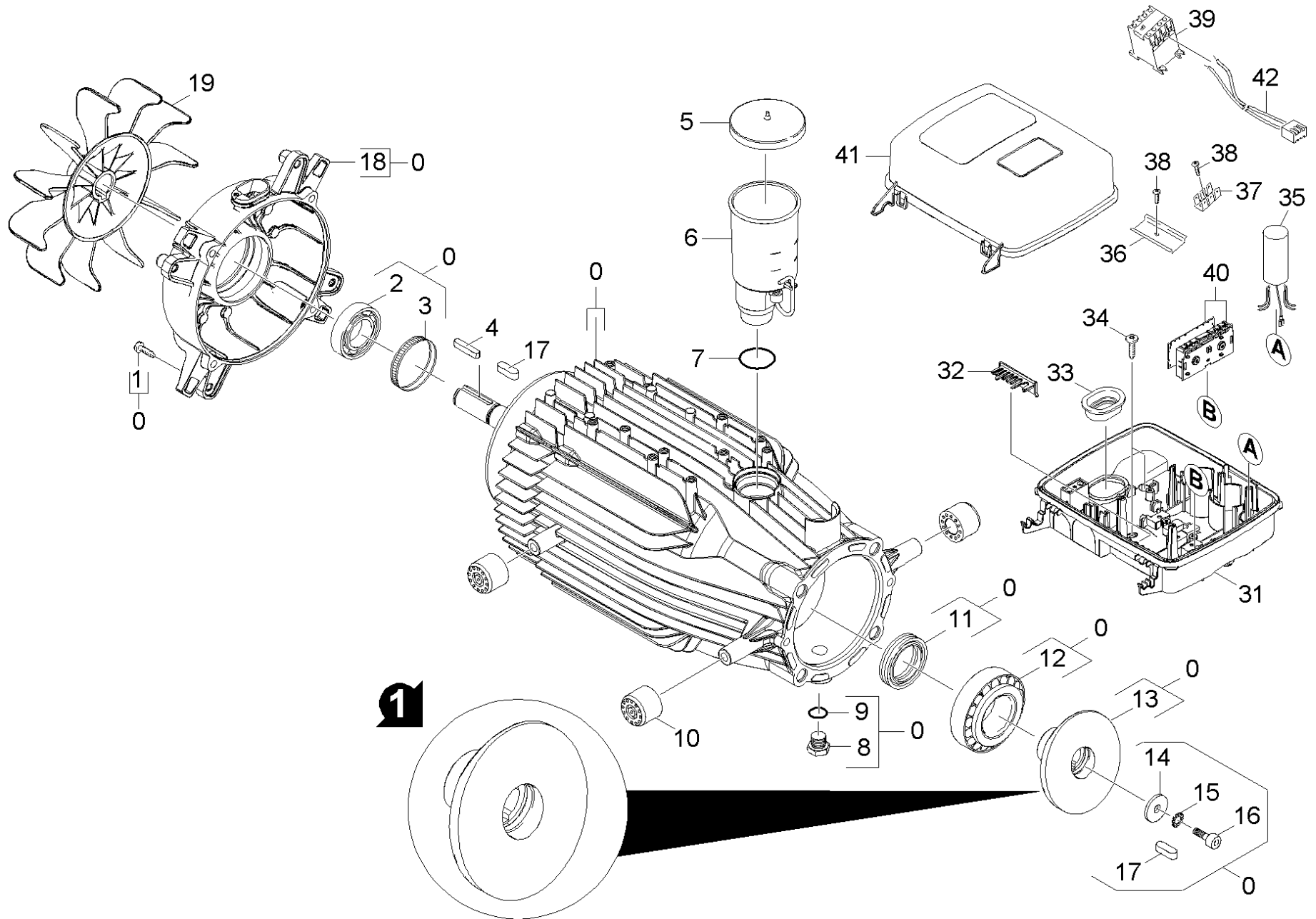
POS	Article no.	Description	Quantity	Unit	Foot note text
1	6.288-016.0	Gear oil 1L	1	ST	
2	5.116-325.0	Washer	3	ST	
3	5.332-550.0	Helical spring	3	ST	
4	4.553-271.0	Piston complete nur fuer Ersatz	3	ST	VERSION 1
	<b>Item text1:</b> 1.077-601.0 /-604.0 /-605.0 /-606.0 /				
	<b>Item text2:</b> -651.0 /-652.0				
5	7.343-473.0	Snap ring 18 -FST DIN 9925	3	ST	
6	6.362-613.0	O-Ring seal 101,27X 2,62-NBR 70	1	ST	
7	5.061-208.3	Thrust guidance D18	1	ST	
8	7.306-105.0	Screw M6x30 -8.8-R3R (In6Rd)	2	ST	
9	7.306-155.0	Cylinder head screw M12x100 -8.8-A3E IS	4	ST	
11	6.365-333.0	Grooved ring 18X26X5,4	3	ST	
12	6.362-406.0	O-Ring seal 33,05X 1,78-NBR 70	3	ST	
13	5.115-431.0	Washer	3	ST	
14	5.112-340.3	Bush	3	ST	
15	6.365-332.0	Compact seal 18x28x5,8	3	ST	
16	5.115-432.0	Washer	3	ST	
17	6.365-334.0	Grooved ring 18X26X6/8	3	ST	
18	4.553-314.0	Piston complete only for replacement	3	ST	VERSION 2
	<b>Item text1:</b> 1.077-601.0 /-606.0 /-651.0				
18	4.553-318.0	Piston kpl. -nur fuer Ersatz-	3	ST	VERSION 2
	<b>Item text1:</b> 1.077-604.0 /-605.0 /-652.0				



## 30 Motor

---

POS	Description	Quantity	Unit	Foot note text
31	Motor	1	ST	VERSION 1
32	Motor	1	ST	VERSION 2

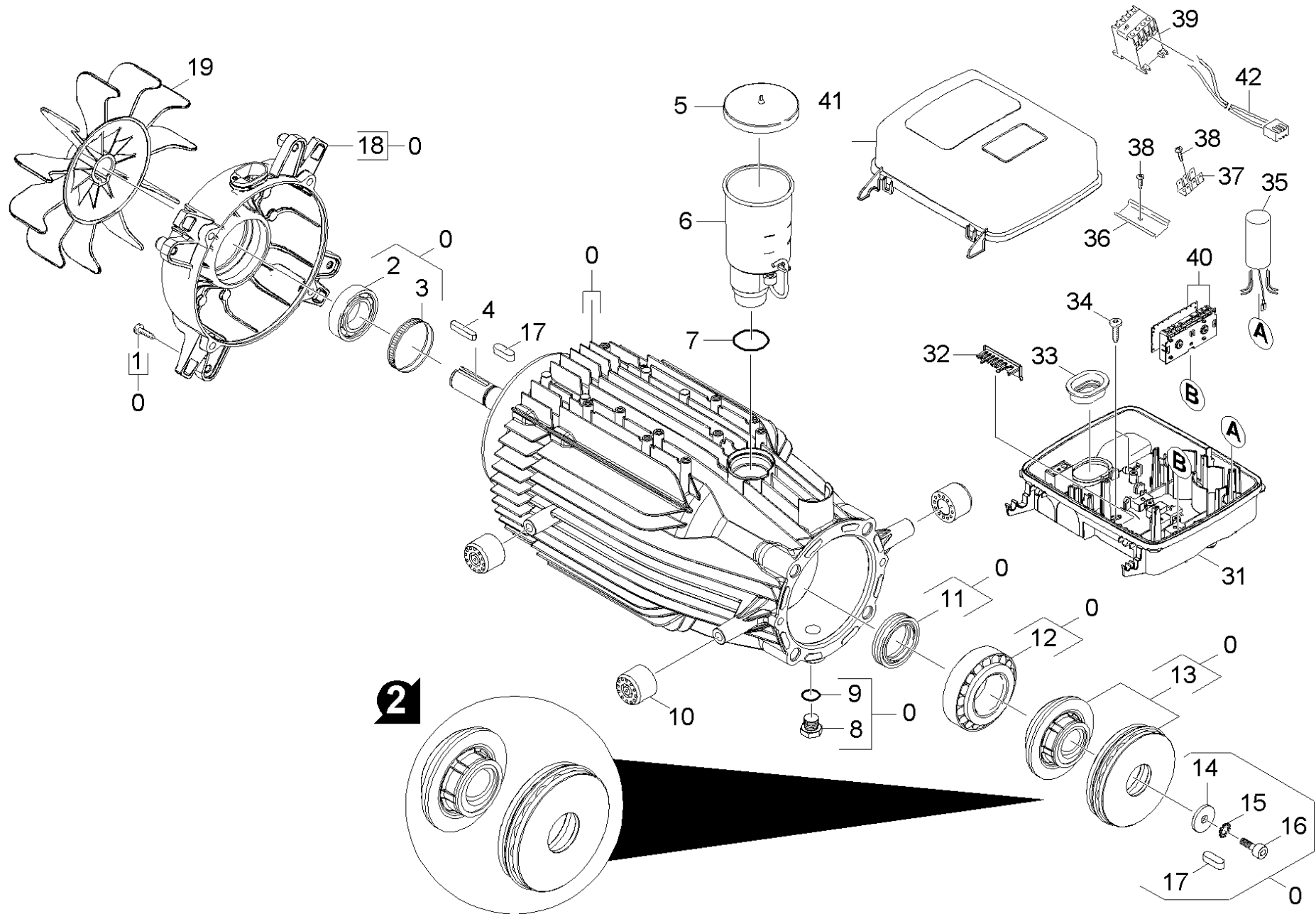


## 31 Motor

POS	Article no.	Description	Quantity	Unit	Foot note text
0	4.623-915.0	Motor complete only for replacement	1	ST	VERSION 1
	<b>Item text1:</b> 1.077-601.0 /-606.0 /-651.0				
0	4.624-022.0	Motor complete only for replacement	1	ST	VERSION 1
	<b>Item text1:</b> 1.077-604.0 /-605.0 /-652.0				
1	6.303-515.0	Self-tapping screw M6x25	4	ST	
2	6.401-253.0	Ball bearing 6305-2Z	1	ST	
3	6.343-010.0	Tolerance ring 62x10	1	ST	
4	7.318-111.0	Parallel key A 6x6x36 -C45K DIN 6885-1	2	ST	
5	5.063-189.0	Cover	1	ST	
6	4.070-904.0	Tank only for replacement	1	ST	
7	6.362-722.0	O-Ring seal 28,0 X 3,0	1	ST	
8	5.411-100.0	Screw plug	1	ST	
9	6.362-458.0	O-Ring seal 11,0x2,0-NBR 70	1	ST	
10	5.767-005.0	Rubber buffer	4	ST	
11	7.367-009.0	Radial shaft seal ring A35x52x7-NBR DIN	1	ST	
12	6.401-405.0	Taper roller bearing	1	ST	
13	4.120-242.0	Wobble plate -nur fuer Ersatz-	1	ST	VERSION 1
	<b>Item text1:</b> 1.077-604.0 /-605.0 /-652.0				
13	5.120-398.0	Wobble plate	1	ST	VERSION 1
	<b>Item text1:</b> 1.077-601.0 /-606.0 /-651.0				
14	5.115-565.0	Washer	1	ST	
15	7.312-159.0	Toothed lock washer A8,4-FST-PH DIN 679	1	ST	
16	7.306-041.0	Cylinder head screw M8x20 -8.8-A2E ISO	1	ST	
17	7.318-030.0	Parallel key 6x6x25 -C45K DIN 6885-1	2	ST	
18	5.061-186.0	Bearing cover B	1	ST	
19	5.600-087.0	Blower wheel	1	ST	
30	7.303-086.0	Screw 5x30 -10.9-R2R (K-In6Rd)	2	ST	
31	5.061-319.0	Housing electric box	1	ST	
32	5.263-086.0	Tensioning part	1	ST	
	<b>Item text1:</b> 1.077-601.0 /-604.0 /-606.0 /-651.0 /				
	<b>Item text2:</b> -652.0				
32	5.263-091.0	Tensioning part	1	ST	
	<b>Item text1:</b> 1.077-605.0				

## 31 Motor

POS	Article no.	Description	Quantity	Unit	Foot note text
33	5.365-285.0	Profile gasket	1	ST	
34	6.303-153.0	Screw M5x15-ST-R2R (IN6RD)	3	ST	
35	6.661-283.0	Interference suppressor triple-pole	1	ST	
	<b>Item text1:</b> 1.077-601.0 /-604.0 /-606.0 /-651.0 /				
	<b>Item text2:</b> -652.0				
35	4.828-010.0	Interference suppressor complete	1	ST	
	<b>Item text1:</b> 1.077-605.0				
36	5.802-261.0	Mounting part	1	ST	
37	6.641-270.0	Plug	1	ST	
38	7.303-106.0	Screw 4x12 -10.9-R2R (IN6RD)	2	ST	
39	4.632-002.0	Contacteur -nur fuer Ersatz-	1	ST	
	<b>Item text1:</b> 1.077-601.0 /-604.0 /-606.0 /-651.0 /				
	<b>Item text2:</b> -652.0				
39	6.632-334.0	Power contactor LC1 D32 B7	1	ST	
	<b>Item text1:</b> 1.077-605.0				
40	2.885-054.0	Frame circuit board complete	1	ST	
41	5.064-226.0	Cover electric box	1	ST	
42	6.649-384.0	Cable 2x0,35 350mm	1	ST	

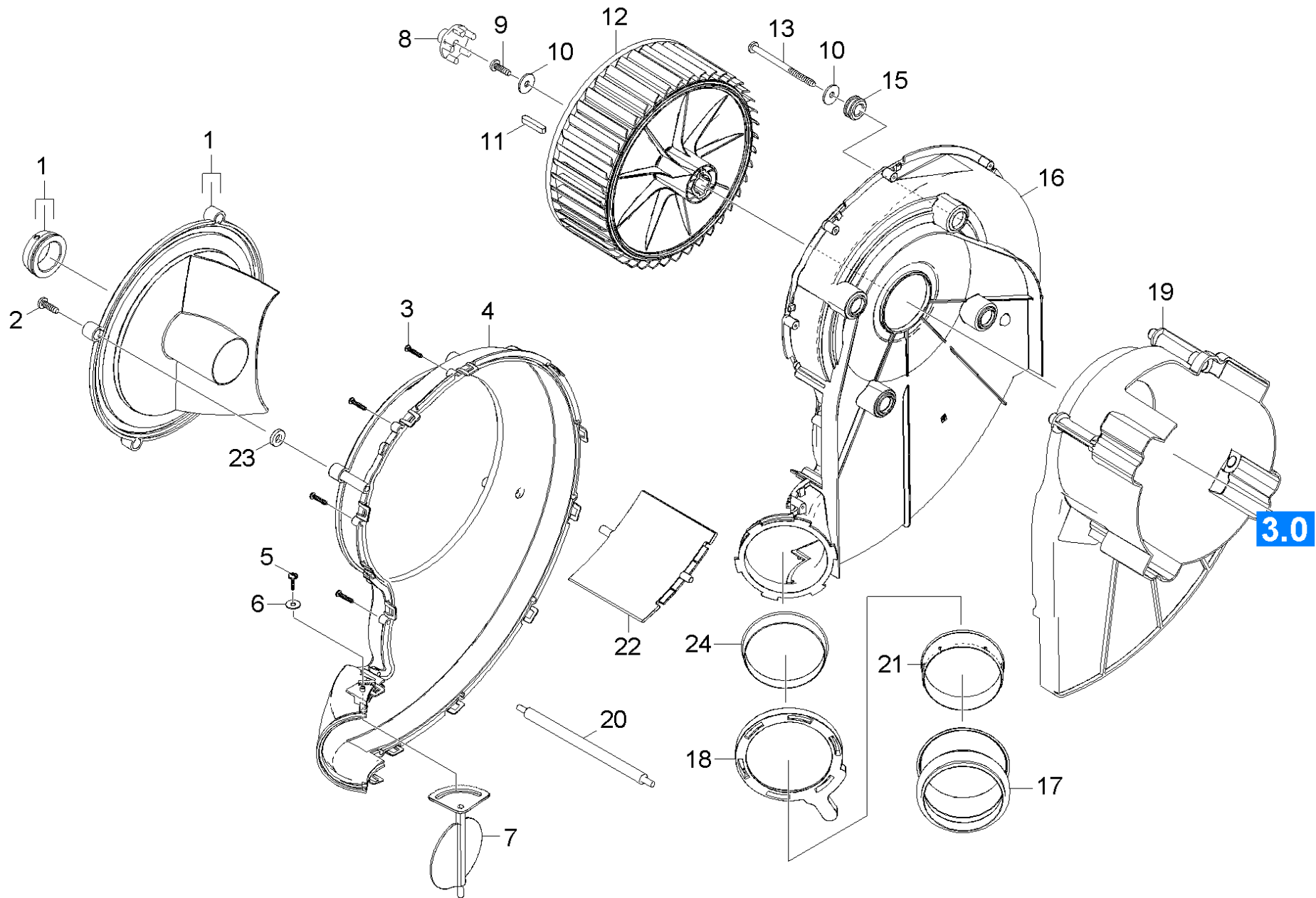


## 32 Motor

POS	Article no.	Description	Quantity	Unit	Foot note text
0	4.624-128.0	Motor complete only for replacement	1	ST	VERSION 2
	<b>Item text1:</b> 1.077-601.0 /-606.0 /-651.0				
0	4.624-131.0	Motor complete only for replacement	1	ST	VERSION 2
	<b>Item text1:</b> 1.077-604.0 /-605.0 /-652.0				
1	6.303-515.0	Self-tapping screw M6x25	4	ST	
2	6.401-253.0	Ball bearing 6305-2Z	1	ST	
3	6.343-010.0	Tolerance ring 62x10	1	ST	
4	7.318-111.0	Parallel key A 6x6x36 -C45K DIN 6885-1	2	ST	
5	5.063-189.0	Cover	1	ST	
6	4.070-904.0	Tank only for replacement	1	ST	
7	6.362-722.0	O-Ring seal 28,0 X 3,0	1	ST	
8	5.411-100.0	Screw plug	1	ST	
9	6.362-458.0	O-Ring seal 11,0x2,0-NBR 70	1	ST	
10	5.767-005.0	Rubber buffer	4	ST	
11	7.367-009.0	Radial shaft seal ring A35x52x7-NBR DIN	1	ST	
12	6.401-405.0	Taper roller bearing	1	ST	
13	4.120-234.0	Wobble plate complete only for replaceme	1	ST	VERSION 2
	<b>Item text1:</b> 1.077-601.0 /-606.0 /-651.0				
13	4.120-248.0	Wobble plate -nur fuer Ersatz-	1	ST	VERSION 2
	<b>Item text1:</b> 1.077-604.0 /-605.0 /-652.0				
14	5.115-565.0	Washer	1	ST	
15	7.312-159.0	Toothed lock washer A8,4-FST-PH DIN 679	1	ST	
16	7.306-041.0	Cylinder head screw M8x20 -8.8-A2E ISO	1	ST	
17	7.318-030.0	Parallel key 6x6x25 -C45K DIN 6885-1	2	ST	
18	5.061-186.0	Bearing cover B	1	ST	
19	5.600-087.0	Blower wheel	1	ST	
30	7.303-086.0	Screw 5x30 -10.9-R2R (K-In6Rd)	2	ST	
31	5.061-319.0	Housing electric box	1	ST	
32	5.263-086.0	Tensioning part	1	ST	
	<b>Item text1:</b> 1.077-601.0 /-604.0 /-606.0 /-651.0 /				
	<b>Item text2:</b> -652.0				
32	5.263-091.0	Tensioning part	1	ST	
	<b>Item text1:</b> 1.077-605.0				

## 32 Motor

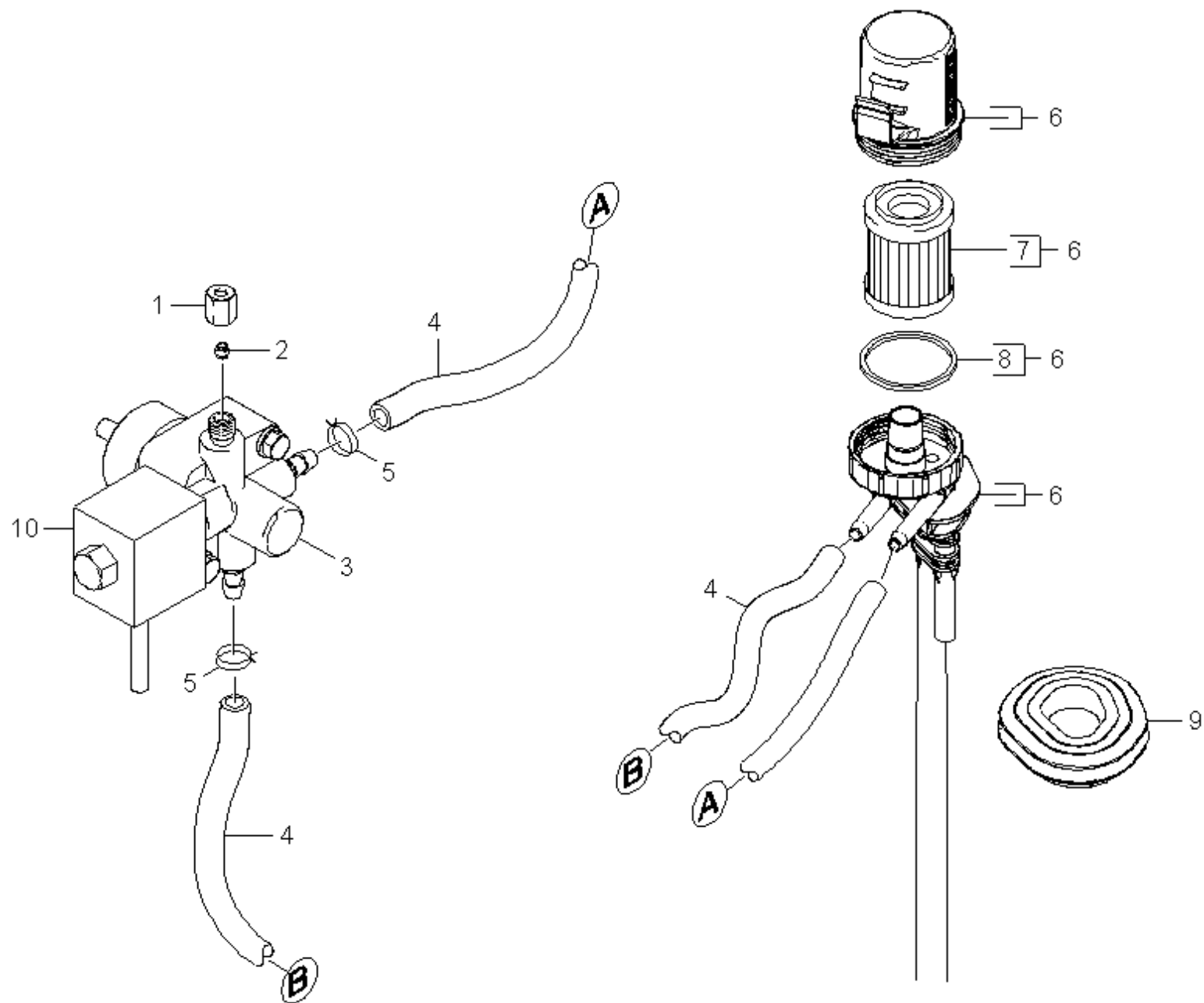
POS	Article no.	Description	Quantity	Unit	Foot note text
33	5.365-285.0	Profile gasket	1	ST	
34	6.303-153.0	Screw M5x15-ST-R2R (IN6RD)	3	ST	
35	6.661-283.0	Interference suppressor triple-pole	1	ST	
	<b>Item text1:</b> 1.077-601.0 /-604.0 /-606.0 /-651.0 /				
	<b>Item text2:</b> -652.0				
35	4.828-010.0	Interference suppressor complete	1	ST	
	<b>Item text1:</b> 1.077-605.0				
36	5.802-261.0	Mounting part	1	ST	
37	6.641-270.0	Plug	1	ST	
38	7.303-106.0	Screw 4x12 -10.9-R2R (IN6RD)	2	ST	
39	4.632-002.0	Contacteur -nur fuer Ersatz-	1	ST	
	<b>Item text1:</b> 1.077-601.0 /-604.0 /-606.0 /-651.0 /				
	<b>Item text2:</b> -652.0				
39	6.632-334.0	Power contactor LC1 D32 B7	1	ST	
	<b>Item text1:</b> 1.077-605.0				
40	2.885-054.0	Frame circuit board complete	1	ST	
41	5.064-226.0	Cover electric box	1	ST	
42	6.649-384.0	Cable 2x0,35 350mm	1	ST	





## 40 Blower

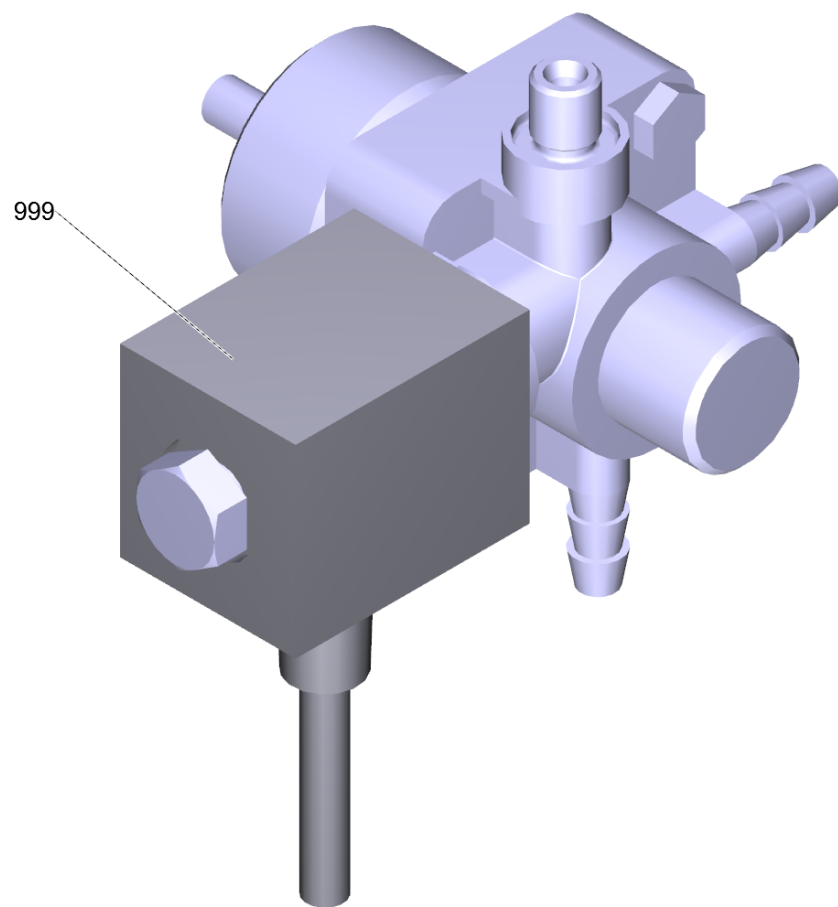
POS	Article no.	Description	Quantity	Unit
1	5.064-277.0	Cover internal part	1	ST
2	7.303-129.0	Screw 4x16 -10.9-R2R (K-In6Rd)	4	ST
3	7.303-084.0	Screw 4x25 -10.9-R2R (K-In6Rd)	14	ST
4	5.064-238.0	Cover blower	1	ST
5	7.303-107.0	Screw 5x16 -10.9-P2R (K-In6Rd)	1	ST
6	7.312-278.0	Washer 5-200HV-A2E ISO7093-1	1	ST
7	5.606-009.0	Air flap	1	ST
8	5.471-097.0	Coupler fuel pump	1	ST
9	6.304-053.0	Screw M6X20-ZNBHL (Precote 30-3)	1	ST
10	7.312-260.0	Washer 6 -100HV-A3E ISO 7094	5	ST
11	7.318-032.0	Parallel key 6x6x32-C45K DIN 6885	2	ST
12	5.600-084.0	Blower wheel	1	ST
13	6.303-517.0	Self-tapping screw M6x100	4	ST
15	5.379-019.0	Rubber ring	4	ST
16	5.605-304.0	Housing blower	1	ST
17	5.195-252.0	Seal air circulation	1	ST
18	5.075-036.0	Closure	1	ST
19	5.692-088.0	Air circulation	1	ST
20	5.043-055.0	Holder	1	ST
21	5.263-094.0	Tensioning part air circulation	1	ST
22	5.912-003.0	Regulating flap blower	1	ST
23	5.116-397.0	Washer	4	ST
24	5.263-096.0	Tensioning part air circulation	1	ST



## 50 Fuel pump

---

POS	Article no.	Description	Quantity	Unit	Foot note text
1	6.389-262.0	Union nut A 4-LL	1	ST	
2	6.389-263.0	Cutting ring d.4	1	ST	
3	4.473-032.0	Fuel pump only for replacement	1	ST	
4	6.391-820.0	Hose	1	M	TO ORDER AS CUT GOODS
5	6.388-559.0	Hose clip	2	ST	
6	4.730-167.3	Filter complete	1	ST	
7	6.414-559.0	Filter fuel	1	ST	
8	5.363-629.0	Seal	1	ST	
9	5.365-290.0	Rubber bushing fuel	1	ST	
10	6.473-554.0	Coil Brennstoffpumpe	1	ST	



3 Fuel pump only for replacement (4.473-032.0)

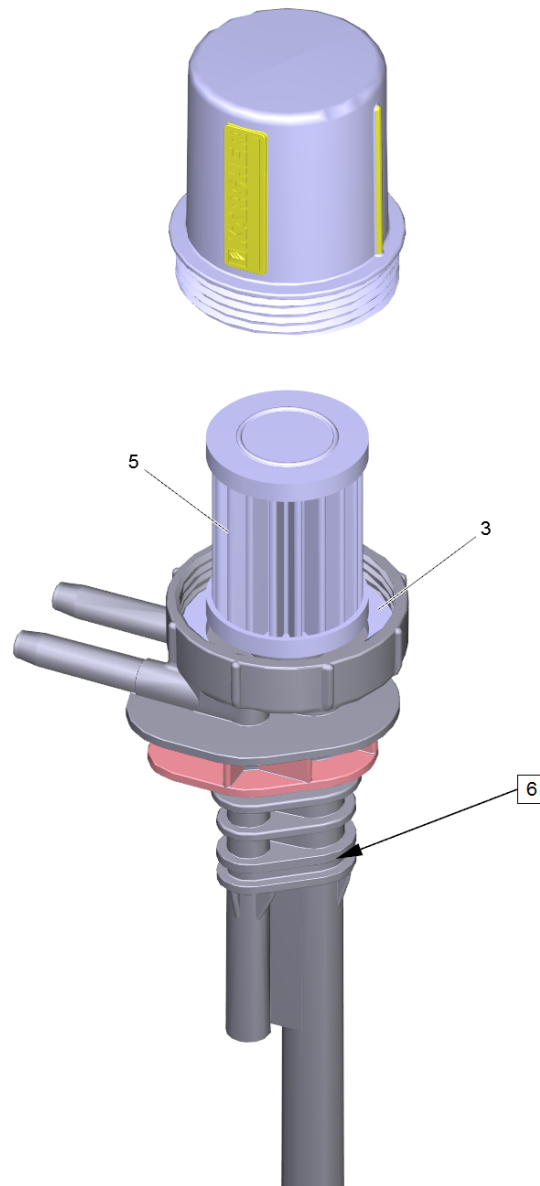
---

<b>POS</b>	<b>Article no.</b>	<b>Description</b>	<b>Quantity</b>	<b>Unit</b>
999	6.473-554.0	Coil Brennstoffpumpe	1	ST

6 Filter complete (4.730-167.3)

---

<b>POS</b>	<b>Article no.</b>	<b>Description</b>	<b>Quantity</b>	<b>Unit</b>
1	4.730-167.0	Filter complete	1	ST

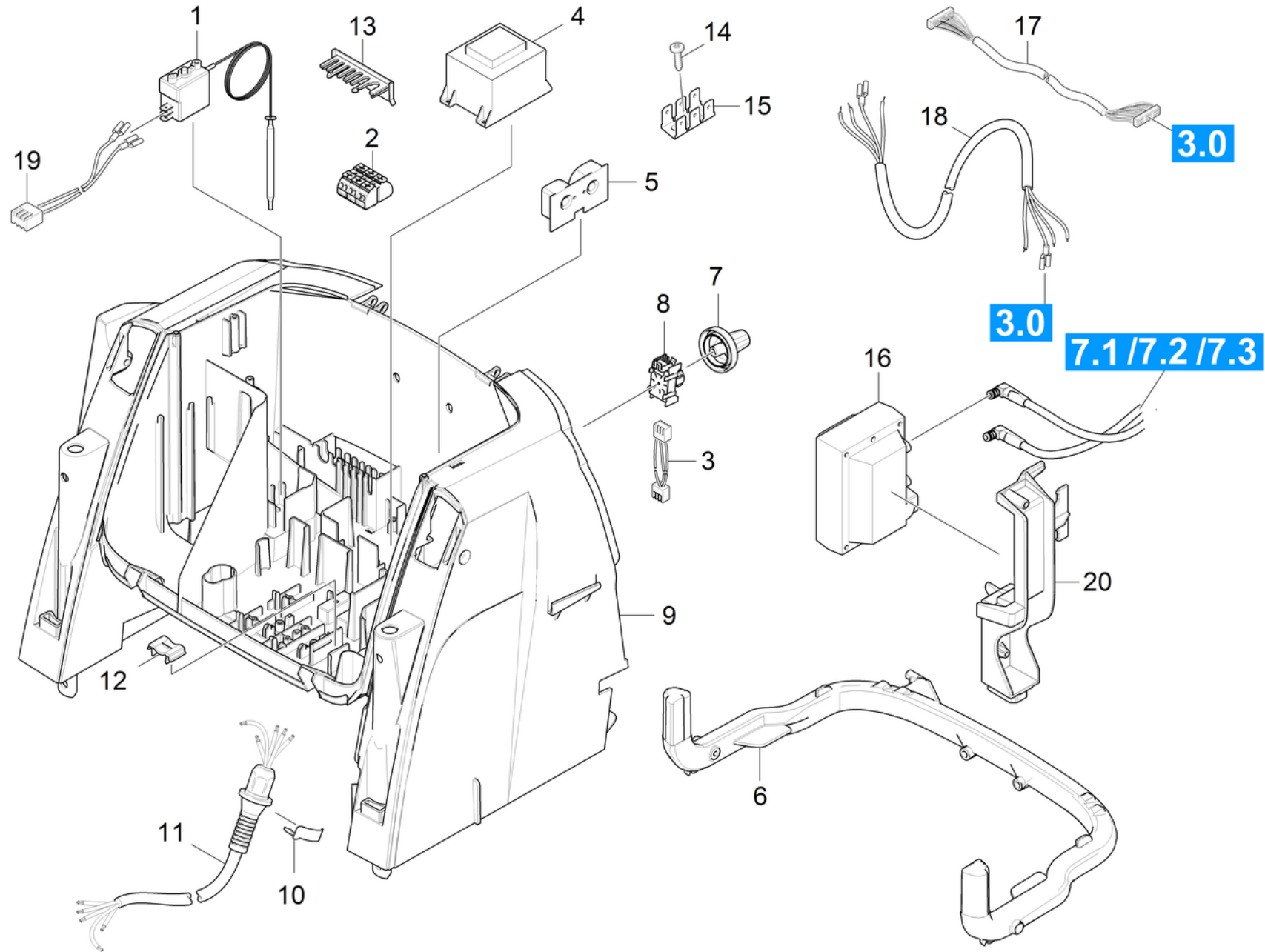


1 Filter complete (4.730-167.0)

---

<b>POS</b>	<b>Article no.</b>	<b>Description</b>	<b>Quantity</b>	<b>Unit</b>
3	5.363-629.0	Seal	1	ST
5	6.414-559.0	Filter fuel	1	ST
6	6.362-079.0	O-Ring seal 18,0 X 2,5	1	ST



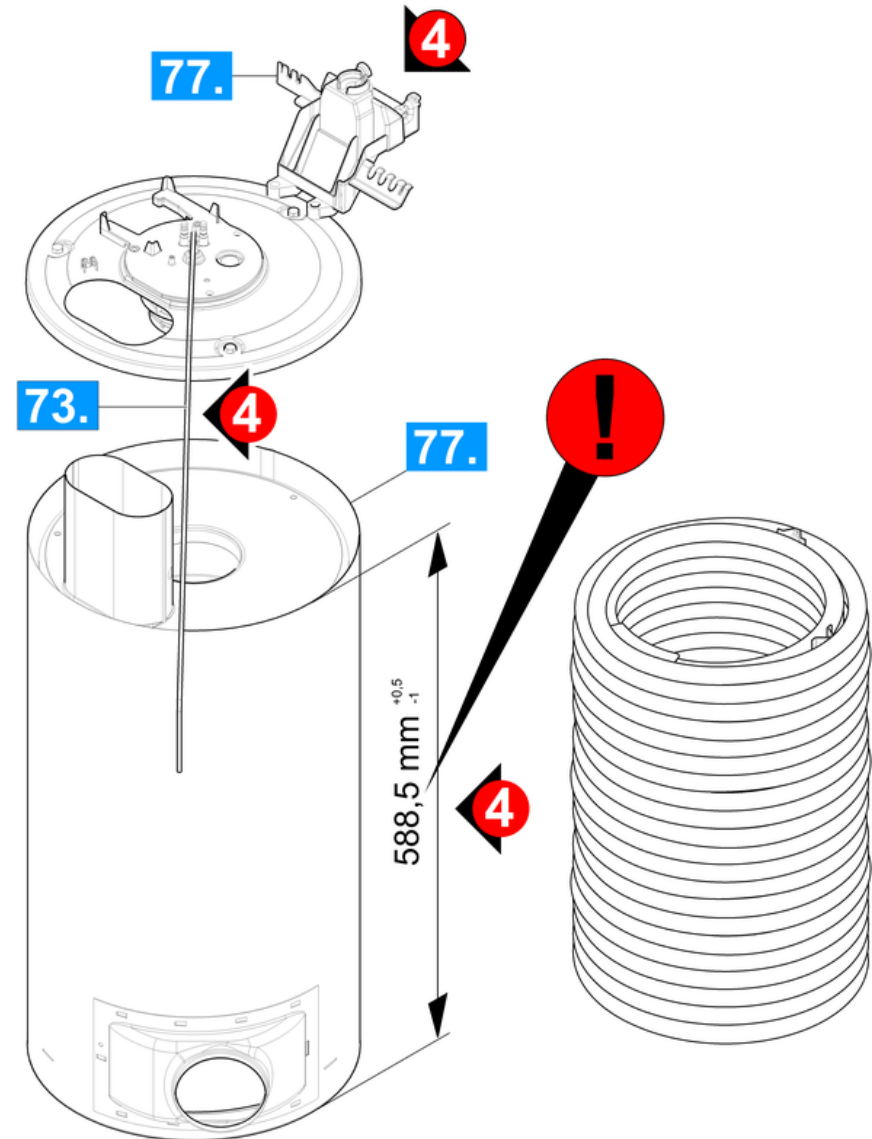
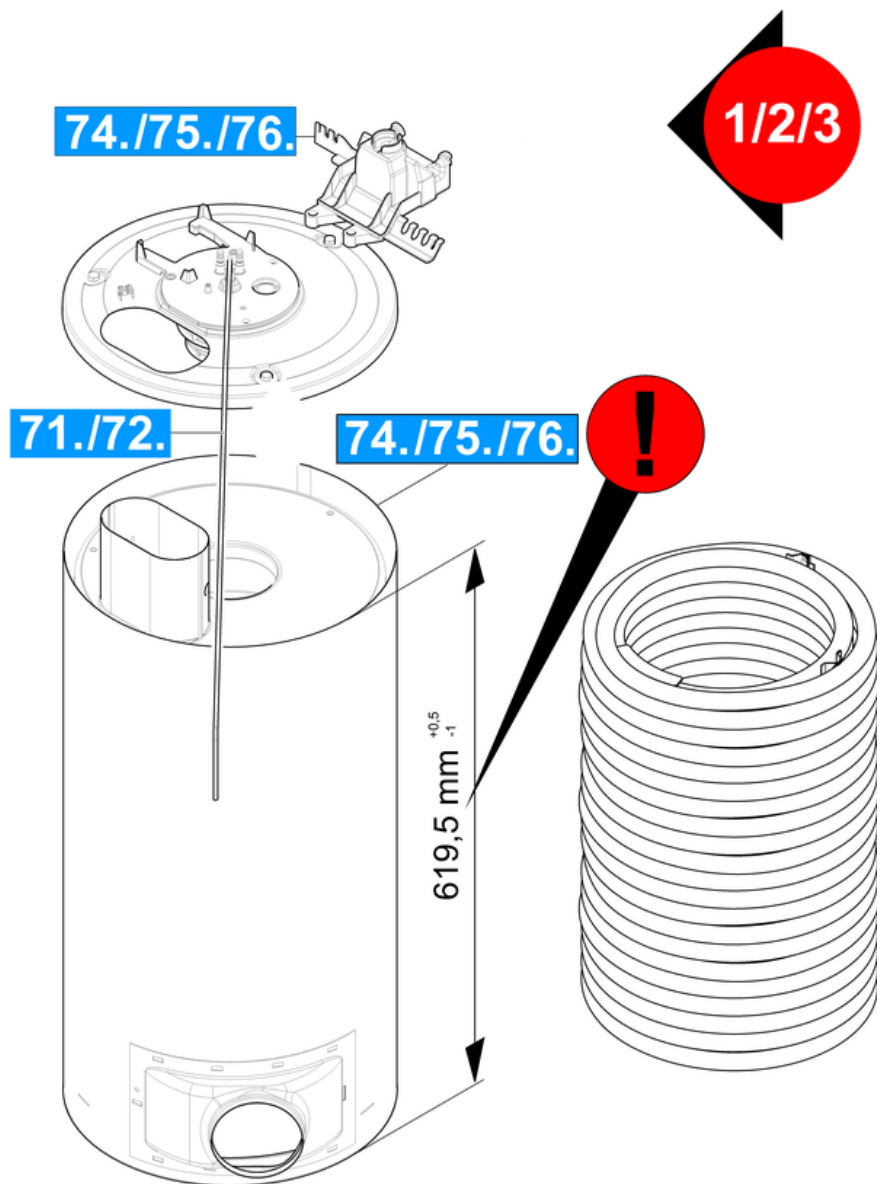


## 60 Electric control box

POS	Article no.	Description	Quantity	Unit
1	4.686-029.0	Thermostat only for replacement	1	ST
2	6.644-364.0	Terminal clamp four-core triple-pole	1	ST
	<b>Item text1:</b> 1.077-605.0			
3	6.649-533.0	Cable 3xAWG22 500mm	1	ST
4	4.622-015.0	Control transformer -nur für Ersatz-	1	ST
	<b>Item text1:</b> 1.077-605.0			
4	6.622-283.3	Control transformer	1	ST
	<b>Item text1:</b> 1.077-601.0 /-604.0 /-606.0 /-651.0 /			
	<b>Item text2:</b> -652.0			
5	6.682-881.0	Circuit board current transformer	1	ST
6	5.033-111.0	Profile	1	ST
7	5.324-172.0	Handle qusty grey RAL 7037	1	ST
8	6.630-423.0	Switch service	1	ST
9	5.801-140.0	Mounting plate	1	ST
	<b>Item text1:</b> 1.077-601.0 /-604.0 /-605.0 /-606.0			
9	5.801-141.0	Mounting plate	1	ST
	<b>Item text1:</b> 1.077-651.0 /-652.0			
10	6.343-186.0	Locking ring	1	ST
11	6.649-782.0	Cable kpl. 4x2,5mm <sup>2</sup>	1	ST
	<b>Item text1:</b> 1.077-606.0			
11	6.649-614.0	Cable complete 4x2,5mm <sup>2</sup>	1	ST
	<b>Item text1:</b> 1.077-605.0			
11	6.649-463.3	Cable with plug 4x1,5mm <sup>2</sup>	1	ST
	<b>Item text1:</b> 1.077-601.0 /-604.0 /-651.0 /-652.0			
12	5.802-307.0	Holder cable	1	ST
13	5.263-086.0	Tensioning part	1	ST
	<b>Item text1:</b> 1.077-601.0 /-604.0 /-606.0 /-651.0 /			
	<b>Item text2:</b> -652.0			
13	5.263-091.0	Tensioning part	1	ST
	<b>Item text1:</b> 1.077-605.0			
14	7.303-106.0	Screw 4x12 -10.9-R2R (IN6RD)	1	ST
15	6.641-270.0	Plug	1	ST
16	6.622-275.0	Ignition transformer -400V, 50 Hz	1	ST

## 60 Electric control box

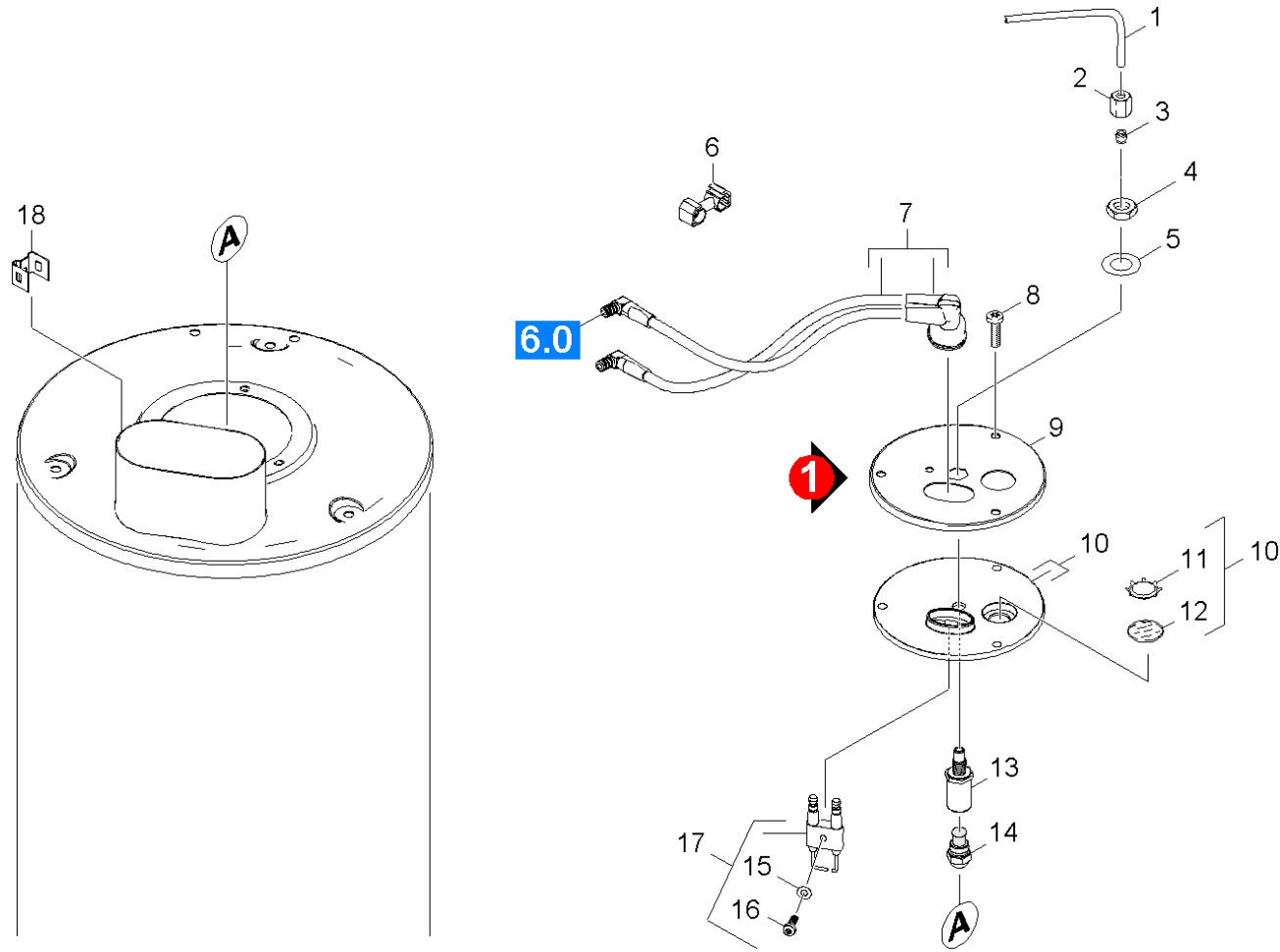
POS	Article no.	Description	Quantity	Unit
	<b>Item text1:</b> 1.077-601.0 /-604.0 /-606.0 /-651.0 /			
	<b>Item text2:</b> -652.0			
16	6.622-286.0	Ignition transformer -230V, 50Hz	1	ST
	<b>Item text1:</b> 1.077-605.0			
17	2.885-110.0	Control cable complete only for replacem	1	ST
18	6.649-462.0	Cable 4x1,5mm <sup>2</sup>	1	ST
	<b>Item text1:</b> 1.077-601.0 /-604.0 /-606.0 /-651.0 /			
	<b>Item text2:</b> -652.0			
18	6.649-645.0	Cable 4x2,5mm <sup>2</sup>	1	ST
	<b>Item text1:</b> 1.077-605.0			
19	6.649-383.0	Cable 2x0,35 700mm	1	ST
20	5.424-140.0	Fixing	1	ST



## 70 Flow heater

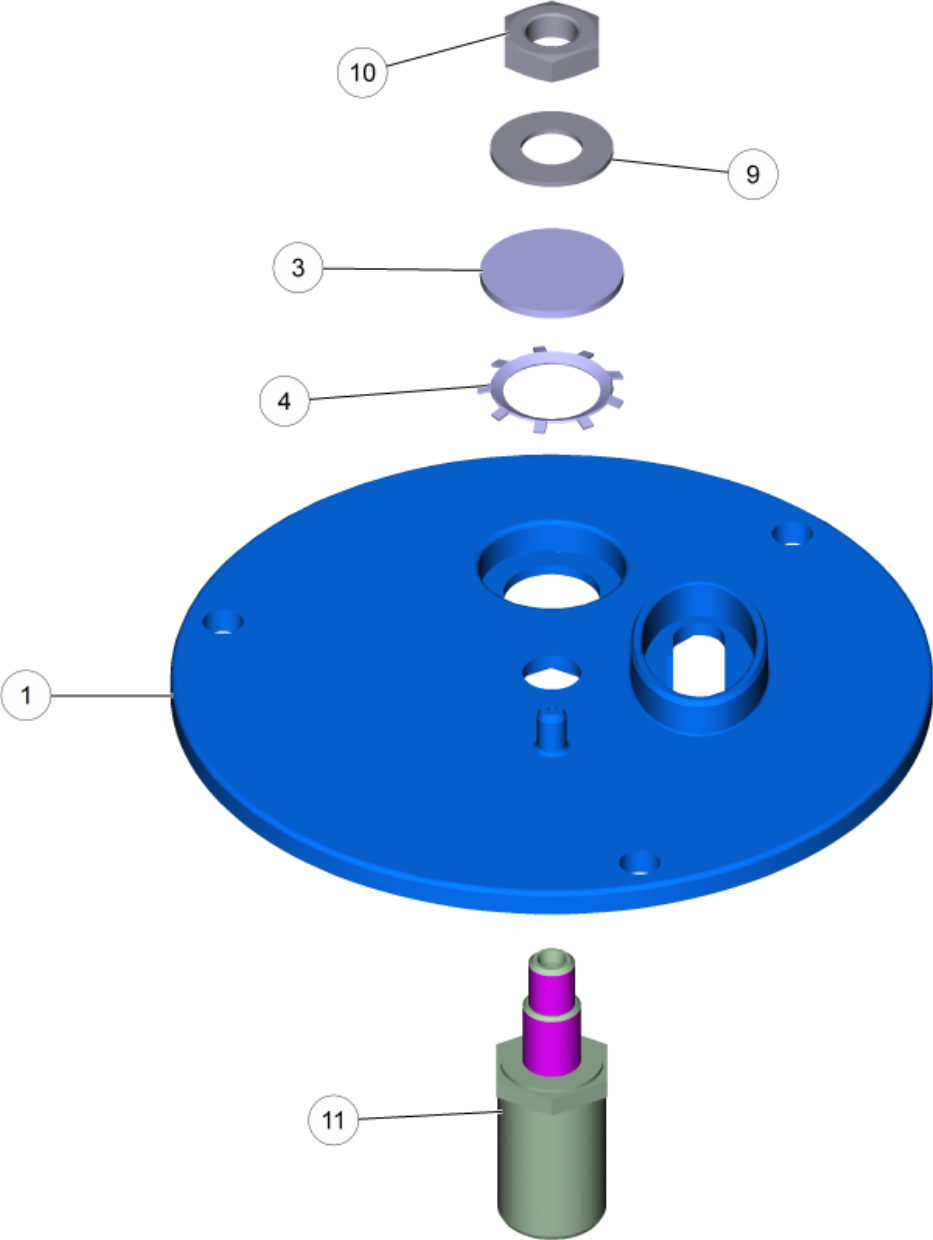
---

<b>POS</b>	<b>Description</b>	<b>Quantity</b>	<b>Unit</b>	<b>Remark</b>
71	Burner cover	1	ST	VERSION 1
72	Burner cover	1	ST	VERSION 2
73	Burner cover	1	ST	VERSION 4
74	Heating coil	1	ST	VERSION 1
75	Heating coil	1	ST	VERSION 2
76	Heating coil	1	ST	VERSION 3
77	Heating coil	1	ST	VERSION 4
78	Burner bottom	1	ST	



## 71 Burner cover

POS	Article no.	Description	Quantity	Unit
1	5.423-347.0	Conduit fuel	1	ST
2	6.389-262.0	Union nut A 4-LL	1	ST
3	6.389-263.0	Cutting ring d.4	1	ST
4	7.311-101.0	Hexagon nut M10x1 -04-A2E ISO 8675	1	ST
5	7.312-302.0	Spring washer B10-FST-A2E DIN 137	1	ST
6	6.647-527.0	Holder	1	ST
7	4.821-100.0	Ignition cable complete	1	ST
8	7.303-038.0	Screw M5x12 -St-P2R (In6Rd)	3	ST
9	5.654-059.0	Cover pressure boiler	1	ST
10	4.654-218.0	Cover plate pressure boiler	1	ST
11	6.343-165.0	Serrated ring	1	ST
12	6.278-018.0	Glass pane	1	ST
13	5.667-055.0	Nozzle holder	1	ST
14	6.415-660.0	Nozzle 1,25-60°-SS	1	ST
15	7.312-304.0	Spring washer B 5-FST-A2E DIN 137	1	ST
16	7.306-217.0	Screw M5x14 -8.8-R2R (In6Rd)	1	ST
17	2.638-974.0	Conversion kit ignition electrode	1	ST
18	5.034-834.0	Holder probe	1	ST

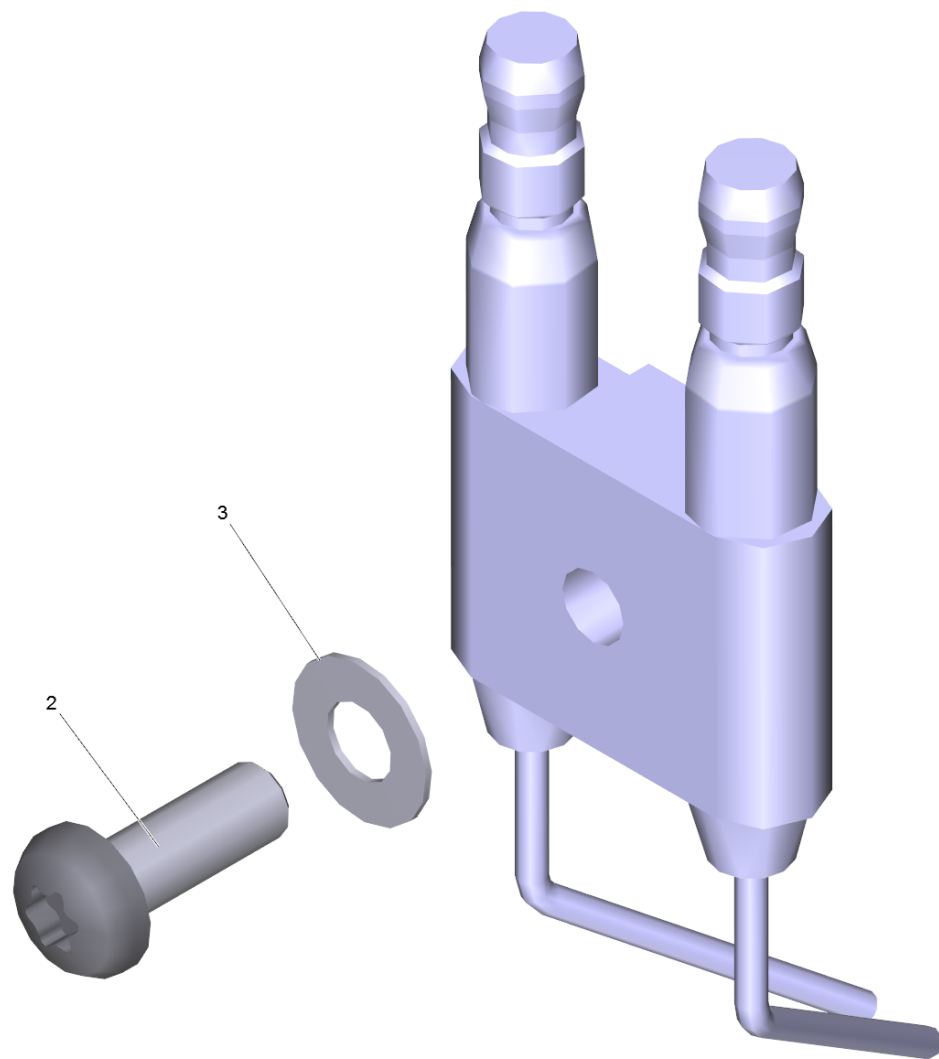




## 10 Cover plate pressure boiler (4.654-218.0)

---

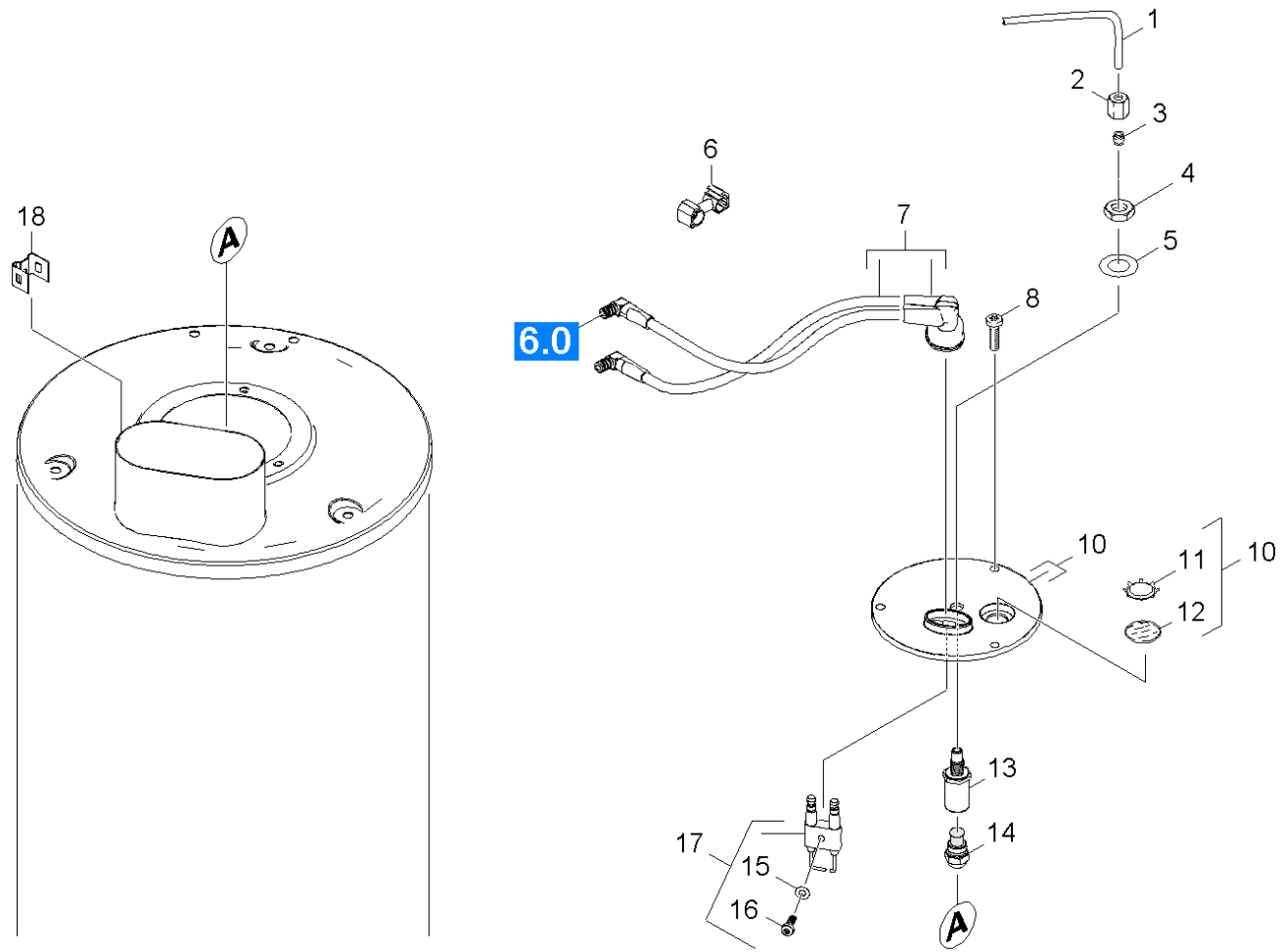
<b>POS</b>	<b>Article no.</b>	<b>Description</b>	<b>Quantity</b>	<b>Unit</b>
1	5.662-022.0	Burner cover	1	ST
3	6.278-018.0	Glass pane	1	ST
4	6.343-165.0	Serrated ring	1	ST
9	7.312-302.0	Spring washer B10-FST-A2E DIN 137	1	ST
10	7.311-101.0	Hexagon nut M10x1 -04-A2E ISO 8675	1	ST
11	5.667-055.0	Nozzle holder	1	ST



## 17 Conversion kit ignition electrode (2.638-974.0)

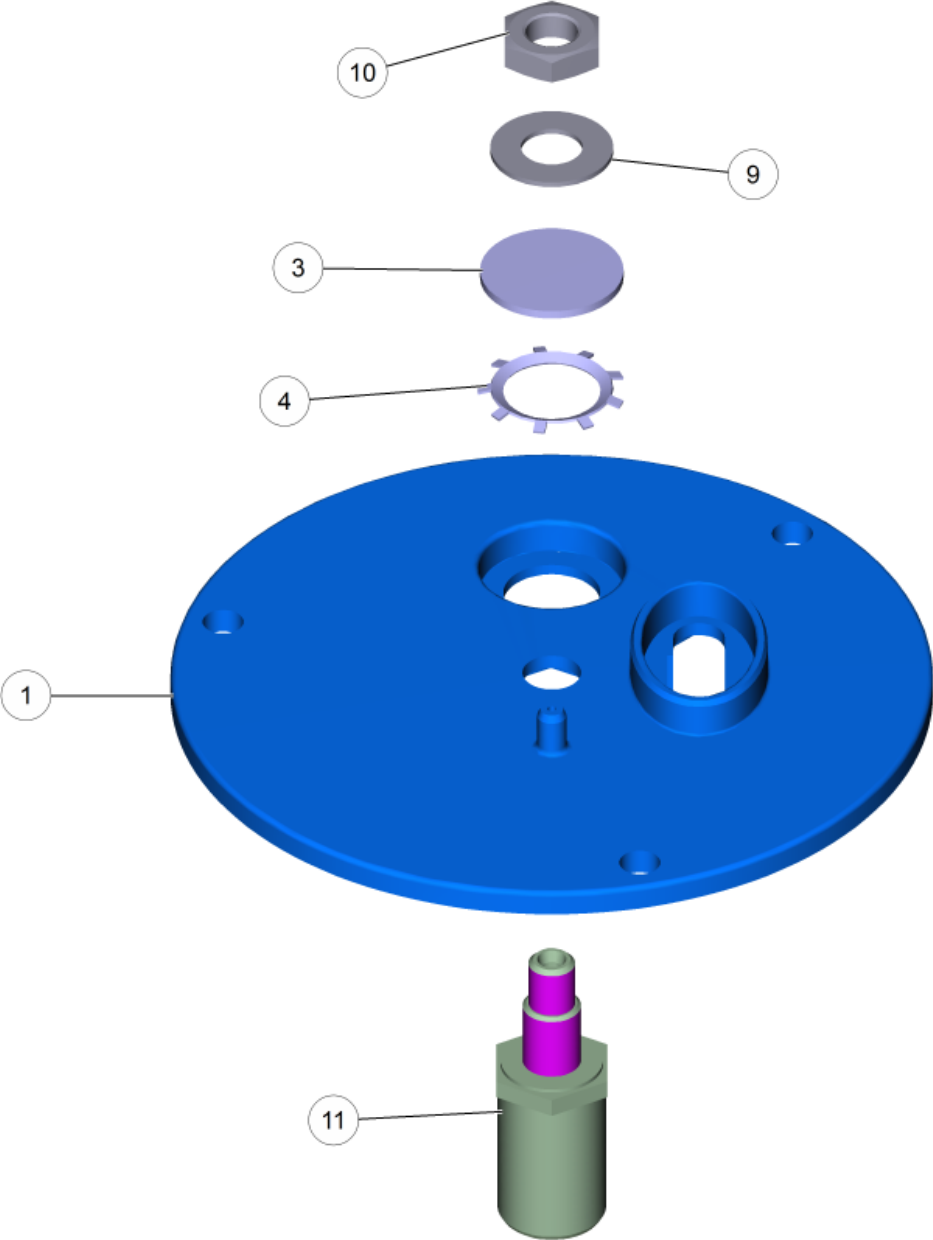
---

<b>POS</b>	<b>Article no.</b>	<b>Description</b>	<b>Quantity</b>	<b>Unit</b>
2	7.306-217.0	Screw M5x14 -8.8-R2R (In6Rd)	1	ST
3	7.312-304.0	Spring washer B 5-FST-A2E DIN 137	1	ST



## 72 Burner cover

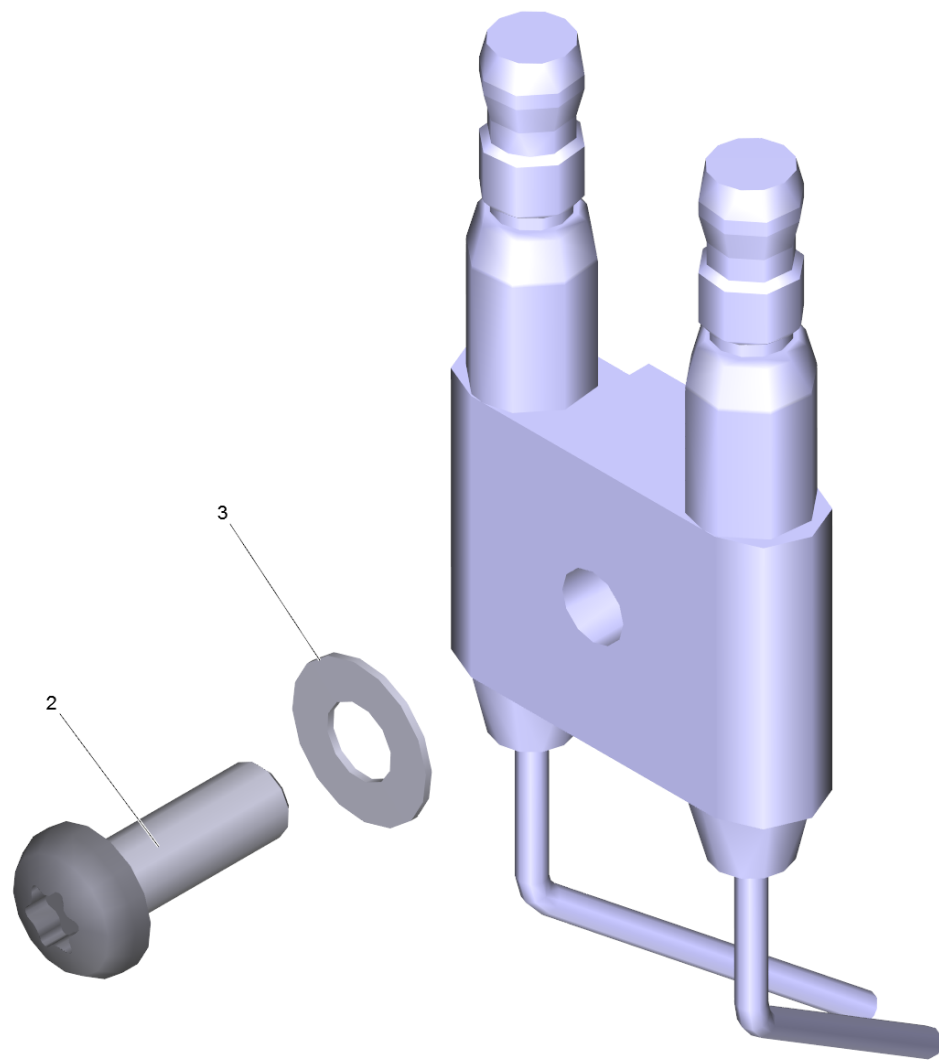
POS	Article no.	Description	Quantity	Unit
1	5.423-347.0	Conduit fuel	1	ST
2	6.389-262.0	Union nut A 4-LL	1	ST
3	6.389-263.0	Cutting ring d.4	1	ST
4	7.311-101.0	Hexagon nut M10x1 -04-A2E ISO 8675	1	ST
5	7.312-302.0	Spring washer B10-FST-A2E DIN 137	1	ST
6	6.647-527.0	Holder	1	ST
7	4.821-100.0	Ignition cable complete	1	ST
8	7.303-038.0	Screw M5x12 -St-P2R (In6Rd)	3	ST
10	4.654-218.0	Cover plate pressure boiler	1	ST
11	6.343-165.0	Serrated ring	1	ST
12	6.278-018.0	Glass pane	1	ST
13	5.667-055.0	Nozzle holder	1	ST
14	6.415-660.0	Nozzle 1,25-60°-SS	1	ST
15	7.312-304.0	Spring washer B 5-FST-A2E DIN 137	1	ST
16	7.306-217.0	Screw M5x14 -8.8-R2R (In6Rd)	1	ST
17	2.638-974.0	Conversion kit ignition electrode	1	ST
18	5.034-834.0	Holder probe	1	ST



## 10 Cover plate pressure boiler (4.654-218.0)

---

<b>POS</b>	<b>Article no.</b>	<b>Description</b>	<b>Quantity</b>	<b>Unit</b>
1	5.662-022.0	Burner cover	1	ST
3	6.278-018.0	Glass pane	1	ST
4	6.343-165.0	Serrated ring	1	ST
9	7.312-302.0	Spring washer B10-FST-A2E DIN 137	1	ST
10	7.311-101.0	Hexagon nut M10x1 -04-A2E ISO 8675	1	ST
11	5.667-055.0	Nozzle holder	1	ST

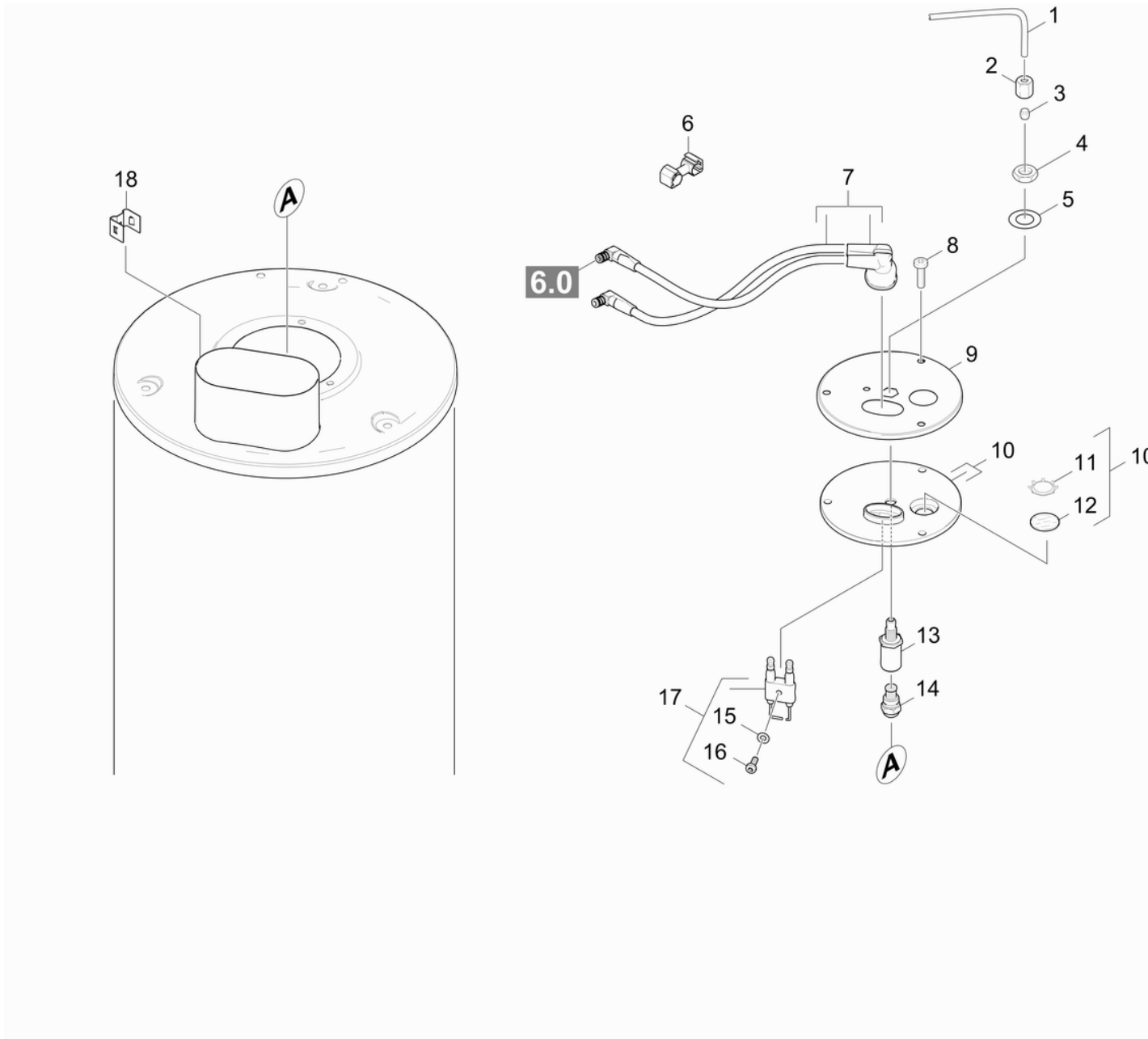




## 17 Conversion kit ignition electrode (2.638-974.0)

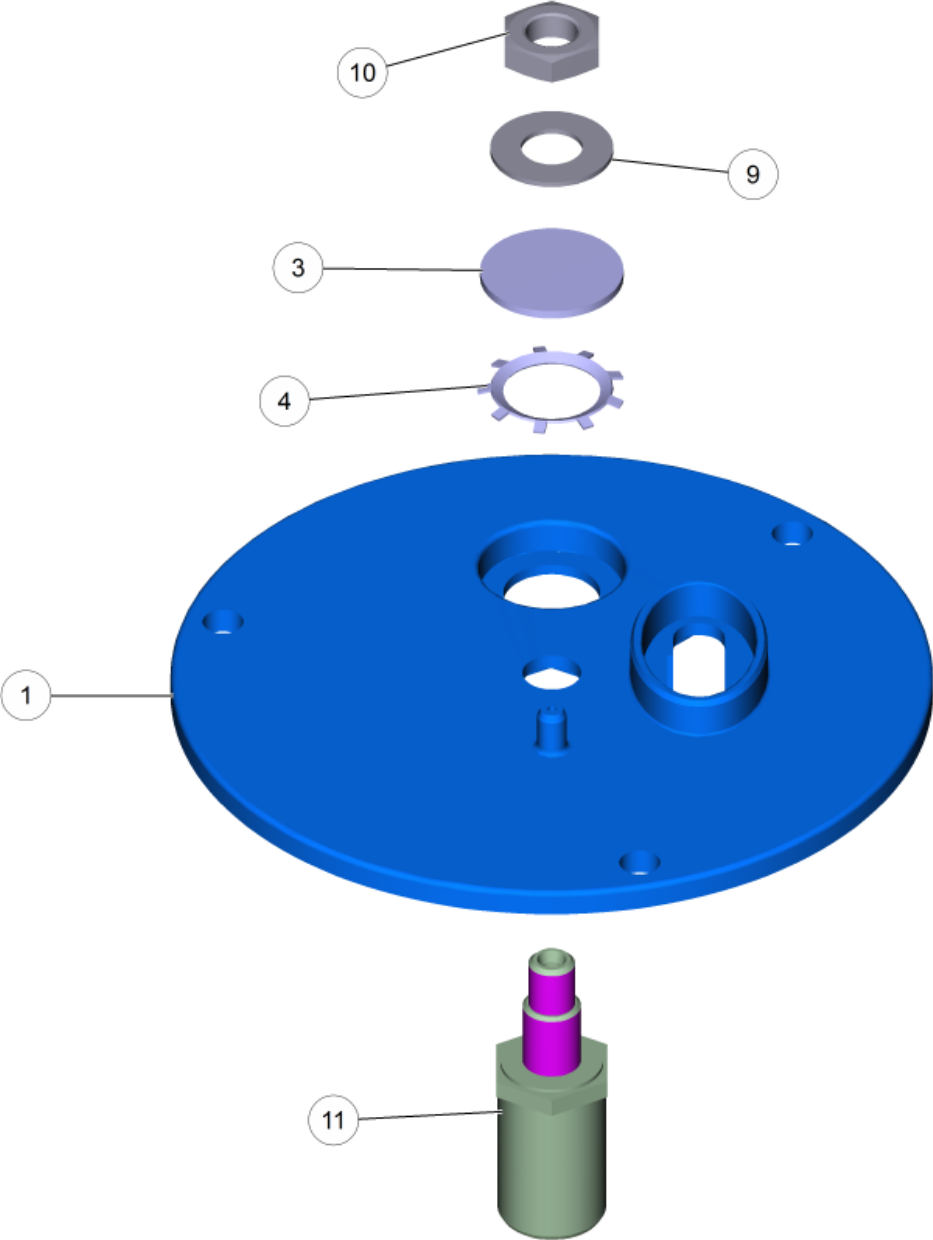
---

<b>POS</b>	<b>Article no.</b>	<b>Description</b>	<b>Quantity</b>	<b>Unit</b>
2	7.306-217.0	Screw M5x14 -8.8-R2R (In6Rd)	1	ST
3	7.312-304.0	Spring washer B 5-FST-A2E DIN 137	1	ST



## 73 Burner cover

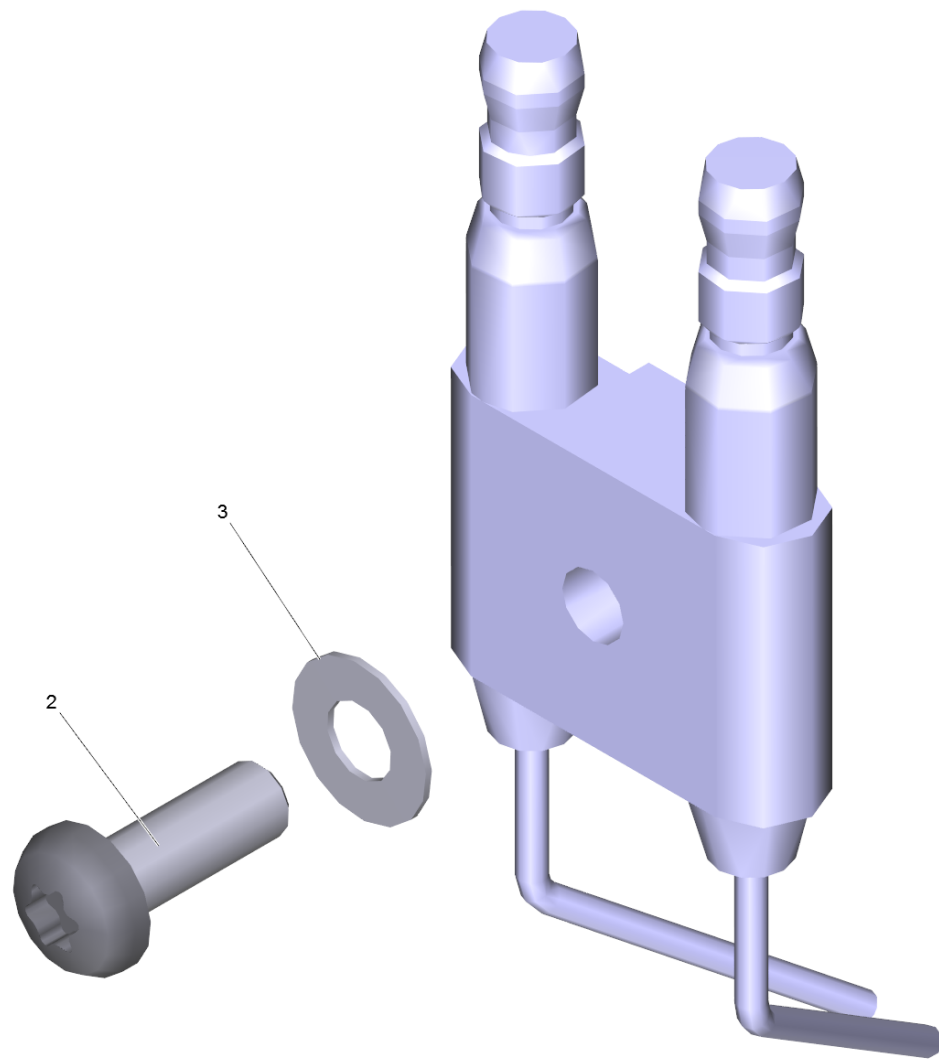
POS	Article no.	Description	Quantity	Unit
1	5.423-008.0	Conduit fuel	1	ST
2	6.389-262.0	Union nut A 4-LL	1	ST
3	6.389-263.0	Cutting ring d.4	1	ST
4	7.311-101.0	Hexagon nut M10x1 -04-A2E ISO 8675	1	ST
5	7.312-302.0	Spring washer B10-FST-A2E DIN 137	1	ST
6	6.647-527.0	Holder	1	ST
7	4.821-100.0	Ignition cable complete	1	ST
8	7.303-038.0	Screw M5x12 -St-P2R (In6Rd)	3	ST
9	5.654-059.0	Cover pressure boiler	1	ST
10	4.654-218.0	Cover plate pressure boiler	1	ST
11	6.343-165.0	Serrated ring	1	ST
12	6.278-018.0	Glass pane	1	ST
13	5.667-055.0	Nozzle holder	1	ST
14	6.415-660.0	Nozzle 1,25-60°-SS	1	ST
15	7.312-304.0	Spring washer B 5-FST-A2E DIN 137	1	ST
16	7.306-217.0	Screw M5x14 -8.8-R2R (In6Rd)	1	ST
17	2.638-974.0	Conversion kit ignition electrode	1	ST
18	5.034-834.0	Holder probe	1	ST



## 10 Cover plate pressure boiler (4.654-218.0)

---

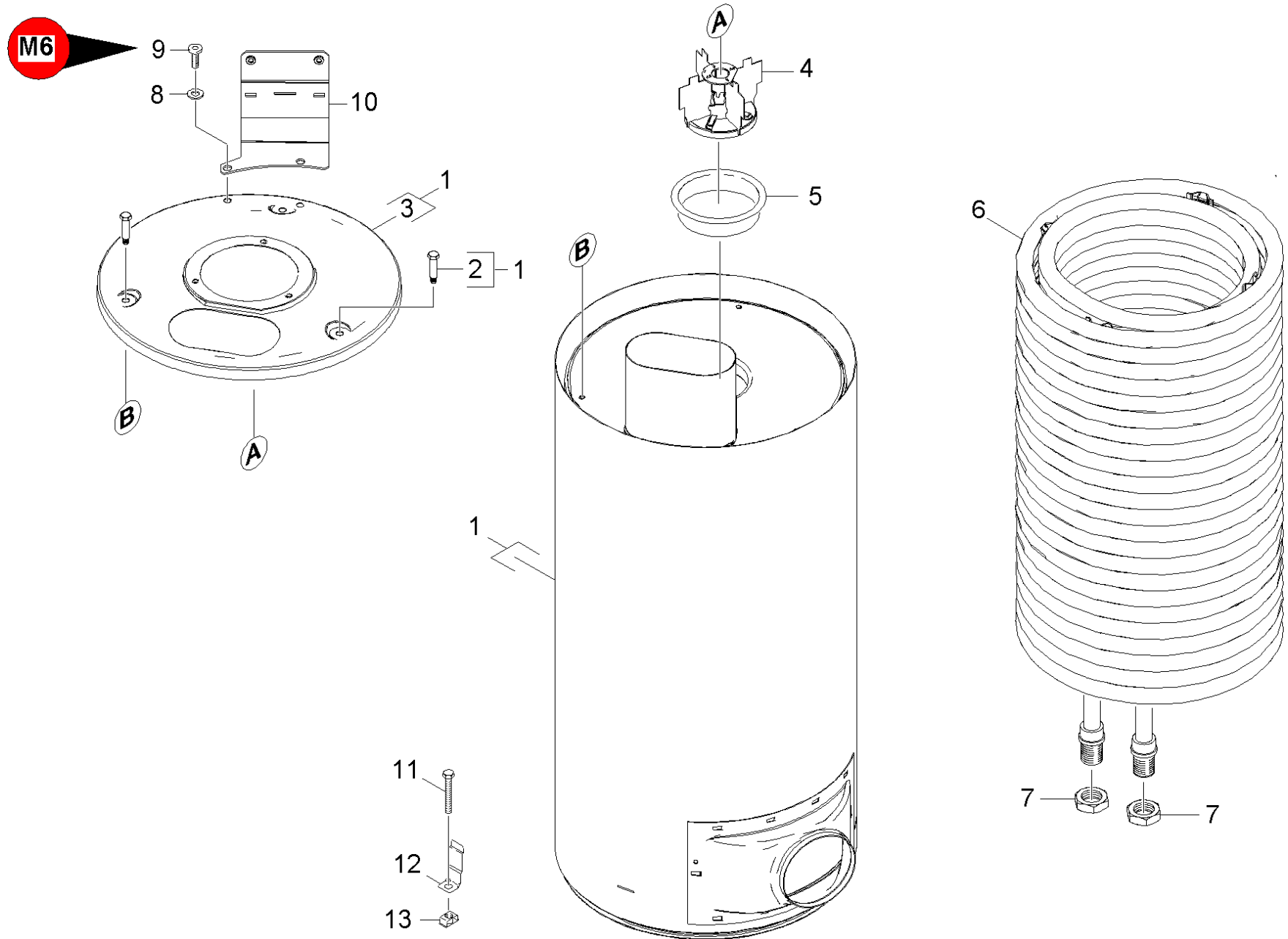
<b>POS</b>	<b>Article no.</b>	<b>Description</b>	<b>Quantity</b>	<b>Unit</b>
1	5.662-022.0	Burner cover	1	ST
3	6.278-018.0	Glass pane	1	ST
4	6.343-165.0	Serrated ring	1	ST
9	7.312-302.0	Spring washer B10-FST-A2E DIN 137	1	ST
10	7.311-101.0	Hexagon nut M10x1 -04-A2E ISO 8675	1	ST
11	5.667-055.0	Nozzle holder	1	ST



## 17 Conversion kit ignition electrode (2.638-974.0)

---

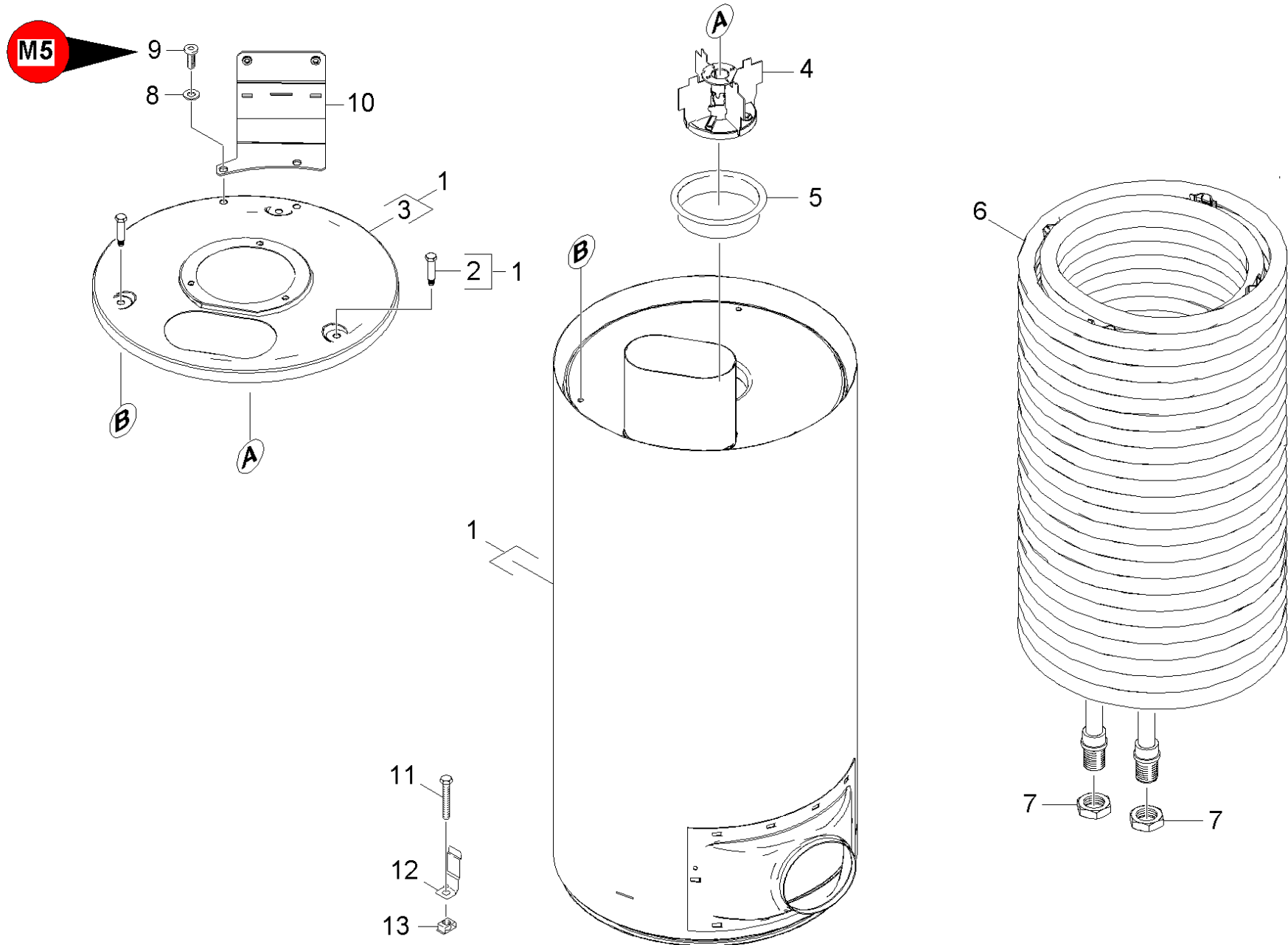
<b>POS</b>	<b>Article no.</b>	<b>Description</b>	<b>Quantity</b>	<b>Unit</b>
2	7.306-217.0	Screw M5x14 -8.8-R2R (In6Rd)	1	ST
3	7.312-304.0	Spring washer B 5-FST-A2E DIN 137	1	ST





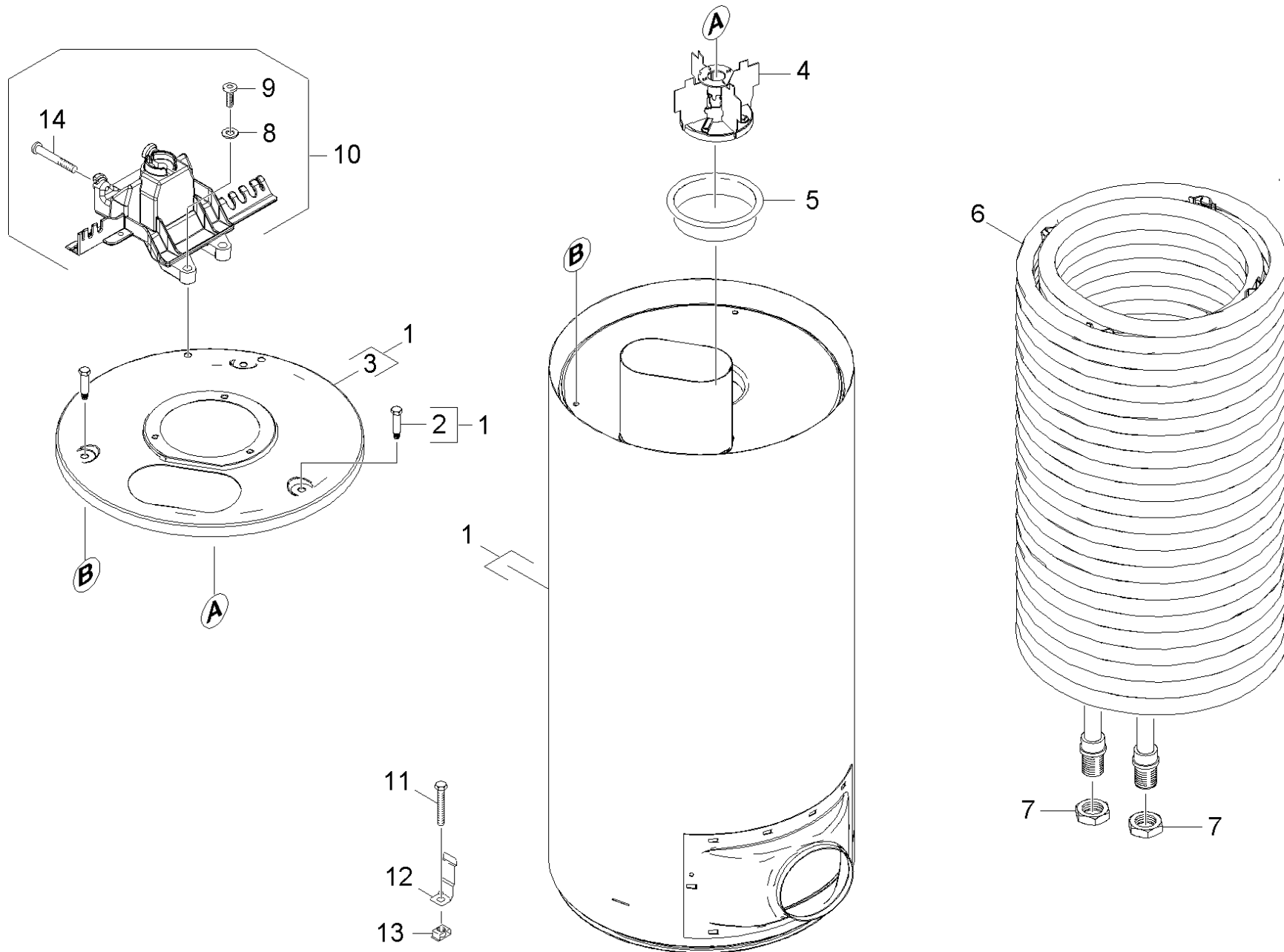
## 74 Heating coil

POS	Article no.	Description	Quantity	Unit	Remark
1	4.652-139.0	Outer covering complete	1	ST	
2	6.303-258.0	Self-tapping screw	3	ST	
3	4.654-196.0	Cover pressure boiler	1	ST	
4	4.663-073.0	Baffle plate complete	1	ST	
5	5.664-256.0	Flame tube	1	ST	
6	4.680-135.0	Heating coil	1	ST	
6	4.680-137.0	Heating coil VA	1	ST	( VA )
7	7.311-112.0	Hexagon nut M22X1,5 -22H-A2E DIN 936	2	ST	
8	7.312-276.0	Washer 6 -200HV-A2E ISO7093-1	2	ST	
9	7.306-090.0	Screw M6x16 -8.8-P2R (In6Rd)	2	ST	
10	5.762-378.0	Bracket	1	ST	
11	7.304-051.0	Hexagonal head screw M 8x16-8.8-P2R EN	3	ST	
12	5.044-420.0	Holder	3	ST	
13	6.310-081.0	Cage nut M 8	3	ST	



## 75 Heating coil

POS	Article no.	Description	Quantity	Unit	Remark
1	4.652-139.0	Outer covering complete	1	ST	
2	6.303-258.0	Self-tapping screw	3	ST	
3	5.654-051.0	Cover pressure boiler	1	ST	
4	4.663-073.0	Baffle plate complete	1	ST	
5	5.664-256.0	Flame tube	1	ST	
6	4.680-135.0	Heating coil	1	ST	
6	4.680-137.0	Heating coil VA	1	ST	( VA )
7	7.311-112.0	Hexagon nut M22X1,5 -22H-A2E DIN 936	2	ST	
8	7.312-278.0	Washer 5-200HV-A2E ISO7093-1	2	ST	
9	7.303-038.0	Screw M5x12 -St-P2R (In6Rd)	2	ST	
10	5.762-378.0	Bracket	1	ST	
11	7.304-051.0	Hexagonal head screw M 8x16-8.8-P2R EN	3	ST	
12	5.044-420.0	Holder	3	ST	
13	6.310-081.0	Cage nut M 8	3	ST	



## 76 Heating coil

POS	Article no.	Description	Quantity	Unit	Remark
1	4.652-139.0	Outer covering complete	1	ST	
2	6.303-258.0	Self-tapping screw	3	ST	
3	5.654-051.0	Cover pressure boiler	1	ST	
4	4.663-073.0	Baffle plate complete	1	ST	
5	5.664-256.0	Flame tube	1	ST	
6	4.680-135.0	Heating coil	1	ST	
6	4.680-137.0	Heating coil VA	1	ST	( VA )
7	7.311-112.0	Hexagon nut M22X1,5 -22H-A2E DIN 936	2	ST	
7	7.311-155.0	Hexagon nut M22x1,5 -Cu2 DIN 936	2	ST	( CuZn )
8	7.312-278.0	Washer 5-200HV-A2E ISO7093-1	2	ST	
9	6.303-320.0	Screw M 5x 20-St-R2R	2	ST	
10	2.882-691.0	Conversion kit holder small Kessel	1	ST	
11	7.304-051.0	Hexagonal head screw M 8x16-8.8-P2R EN	3	ST	
12	5.044-420.0	Holder	3	ST	
13	6.310-081.0	Cage nut M 8	3	ST	
14	7.303-111.0	Screw 5x50 -10.9-R2R (K-In6Rd)	2	ST	

10 Conversion kit holder small Kessel (2.882-691.0)

---

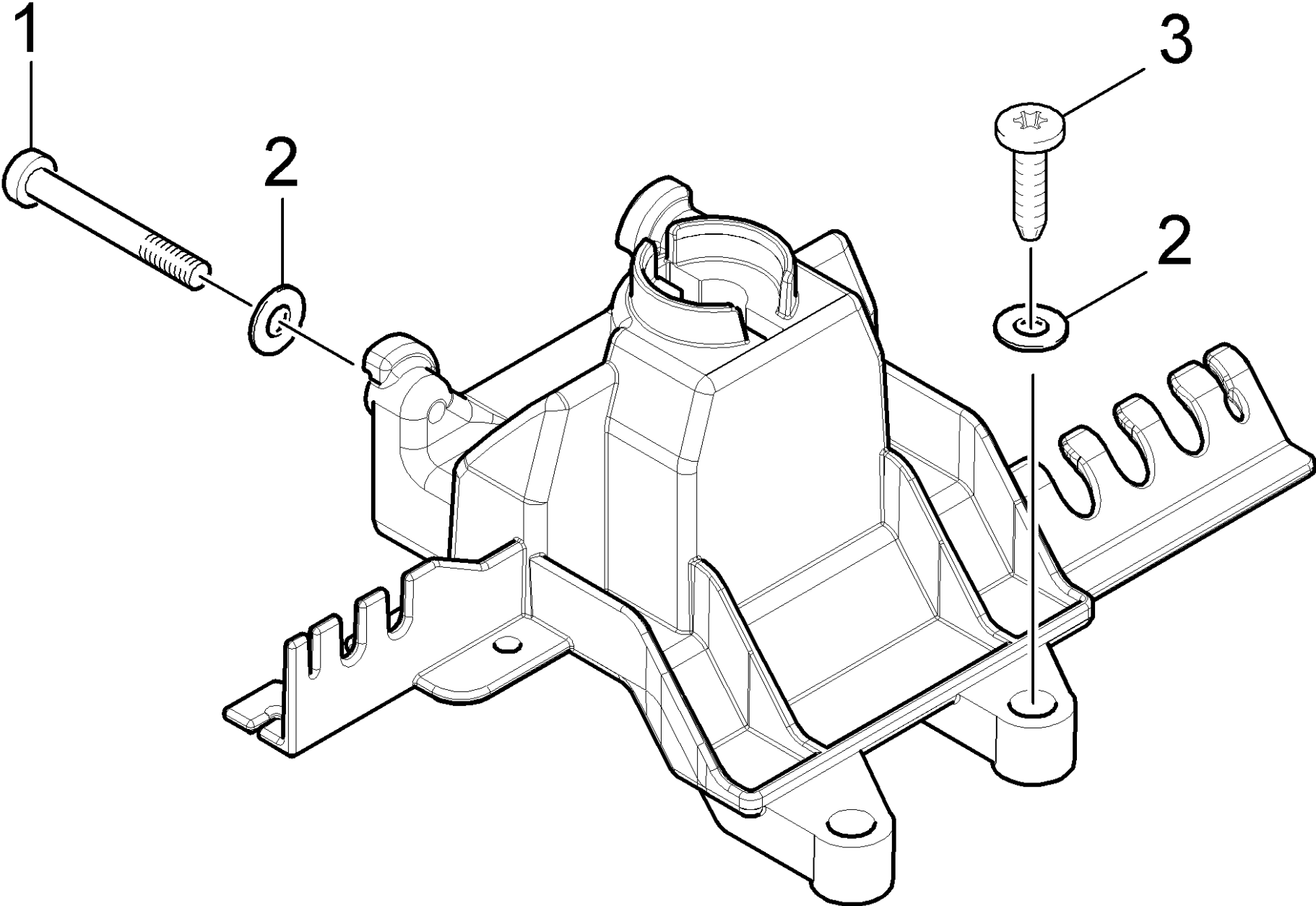
<b>POS</b>	<b>Article no.</b>	<b>Description</b>	<b>Quantity</b>	<b>Unit</b>
6	5.953-327.0	Spare parts list reversion kit holder kl	1	ST

6 Spare parts list reversion kit holder kl (5.953-327.0)

---

<b>POS</b>	<b>Description</b>	<b>Quantity</b>	<b>Unit</b>
10	Conversion kit holder boiler	1	ST

---

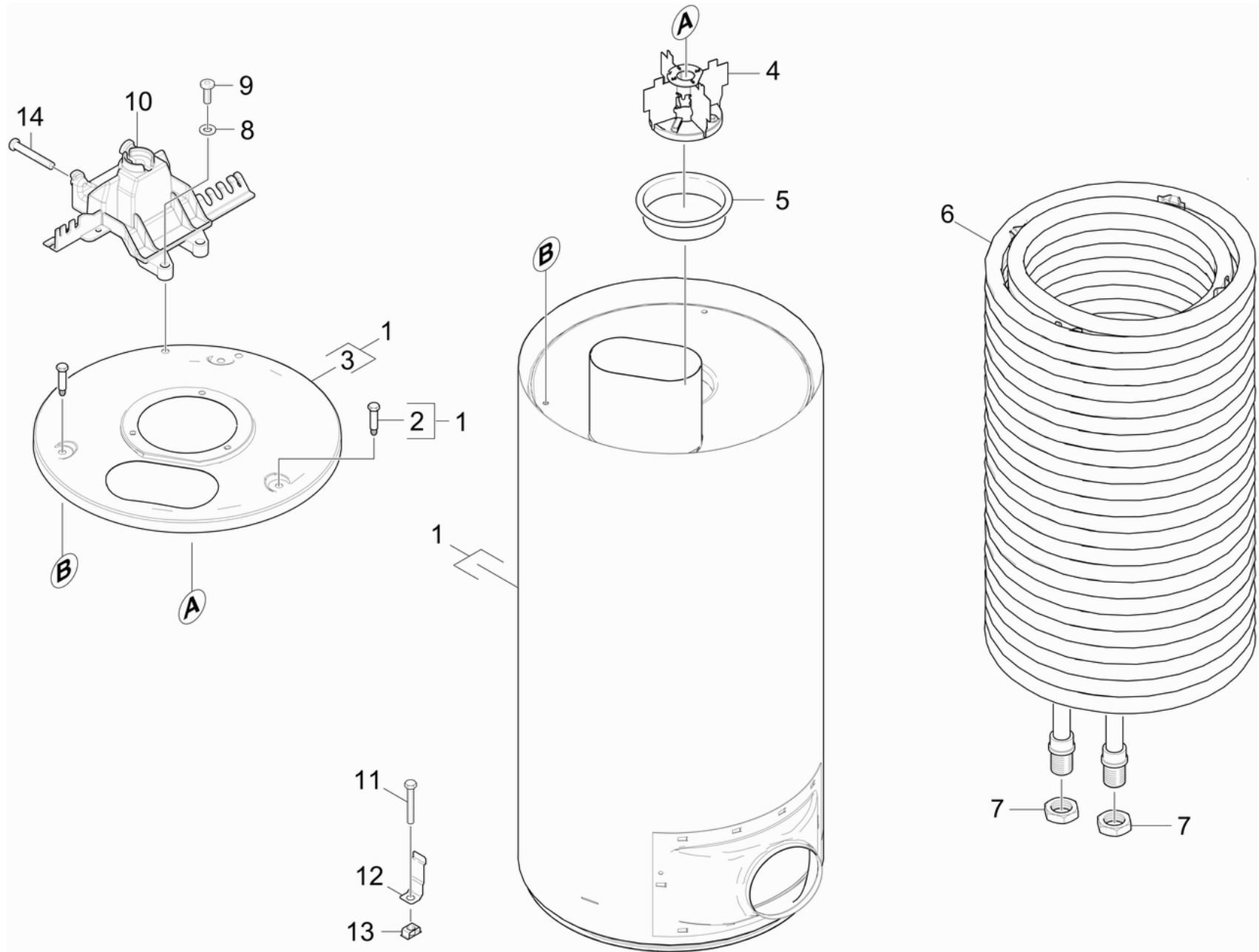




## 10 Conversion kit holder boiler

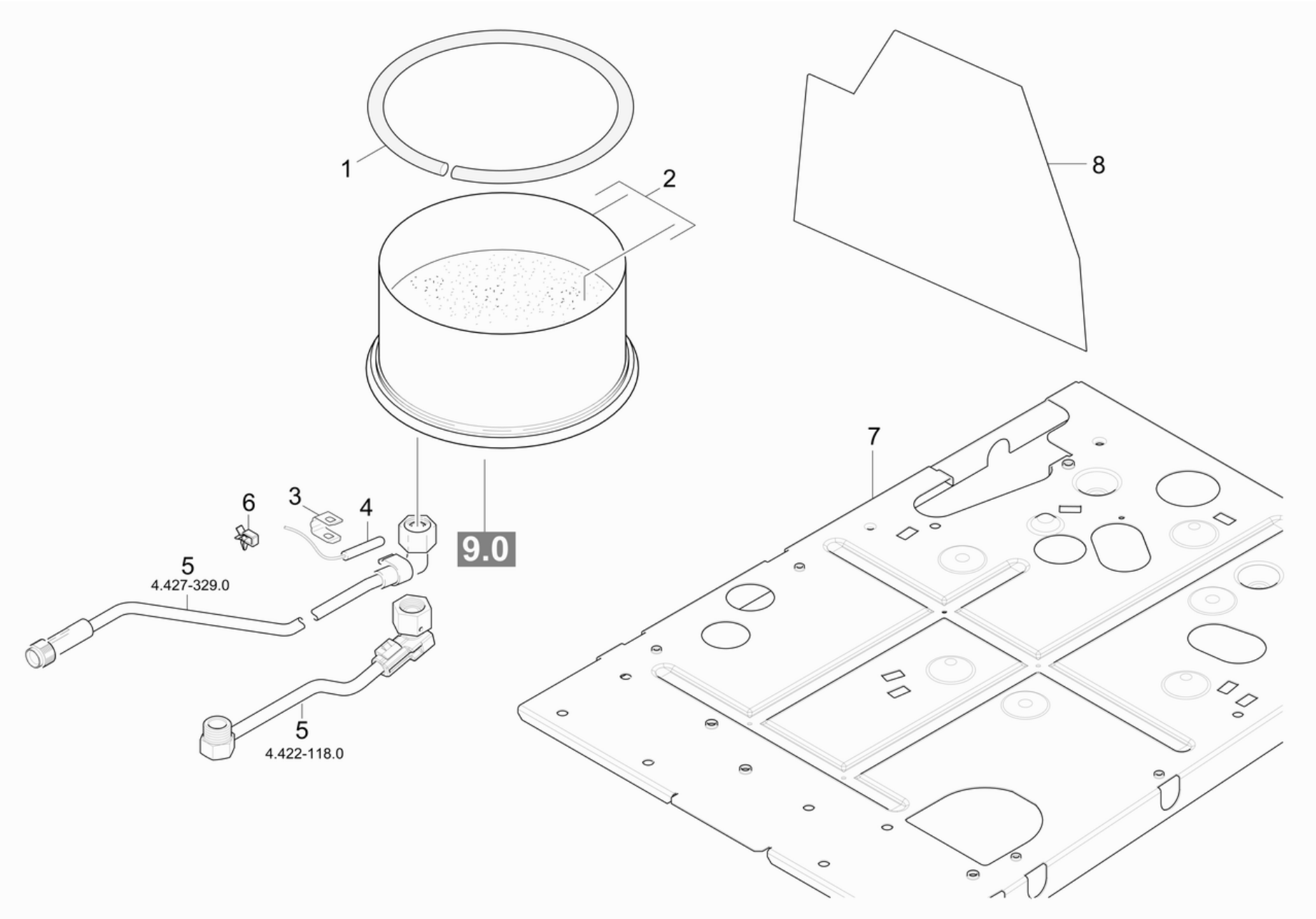
---

<b>POS</b>	<b>Article no.</b>	<b>Description</b>	<b>Quantity</b>	<b>Unit</b>
1	7.303-111.0	Screw 5x50 -10.9-R2R (K-In6Rd)	2	ST
2	7.312-278.0	Washer 5-200HV-A2E ISO7093-1	4	ST
3	6.303-320.0	Screw M 5x 20-St-R2R	2	ST



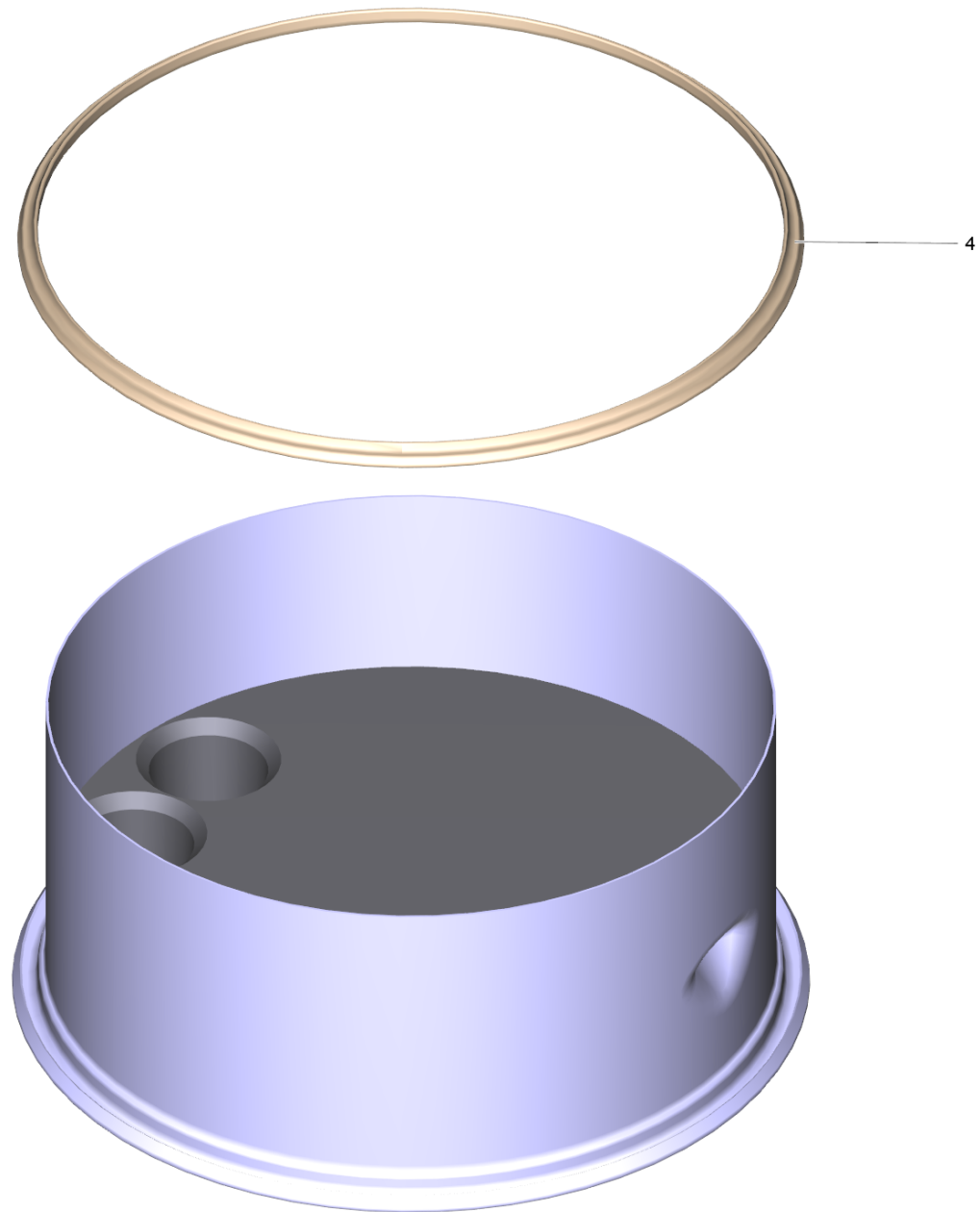
## 77 Heating coil

POS	Article no.	Description	Quantity	Unit	Remark
1	4.652-004.0	Vessel mantel complete	1	ST	
2	6.303-258.0	Self-tapping screw	3	ST	
3	5.654-051.0	Cover pressure boiler	1	ST	
4	4.663-073.0	Baffle plate complete	1	ST	
5	5.664-256.0	Flame tube	1	ST	
6	4.680-123.0	Heating coil	1	ST	HDS 8/18-4M
6	4.680-135.0	Heating coil	1	ST	
6	4.680-137.0	Heating coil VA	1	ST	( VA )
7	7.311-112.0	Hexagon nut M22X1,5 -22H-A2E DIN 936	2	ST	
7	7.311-155.0	Hexagon nut M22x1,5 -Cu2 DIN 936	2	ST	( CuZn )
8	7.312-278.0	Washer 5-200HV-A2E ISO7093-1	2	ST	
9	6.303-320.0	Screw M 5x 20-St-R2R	2	ST	
10	5.412-001.0	Holder Kessel ovale Heizschlange	1	ST	
11	7.304-051.0	Hexagonal head screw M 8x16-8.8-P2R EN	3	ST	
12	5.044-420.0	Holder	3	ST	
13	6.310-081.0	Cage nut M 8	3	ST	
14	7.303-111.0	Screw 5x50 -10.9-R2R (K-In6Rd)	2	ST	



## 78 Burner bottom

POS	Article no.	Description	Quantity	Unit
1	6.366-009.0	Seal string	1	ST
2	4.655-044.0	Bottom pressure boiler	1	ST
3	5.263-064.0	Tensioning part	1	ST
4	4.686-031.0	Thermostat only for replacement	1	ST
5	4.422-118.0	Pipelines	1	ST
	<b>Item text1:</b> 1.077-651.0 /-652.0			
5	4.427-329.0	Manifold complete	1	ST
	<b>Item text1:</b> 1.077-601.0 /-604.0 /-605.0 /-606.0			
6	6.970-929.0	Clip	1	ST
7	5.051-114.0	Base plate boiler	1	ST
8	5.424-142.0	Foil shield	1	ST
	<b>Item text1:</b> 1.077-601.0 /-604.0 /-605.0 /-651.0 /			
	<b>Item text2:</b> -652.0			



2 Bottom pressure boiler (4.655-044.0)

---

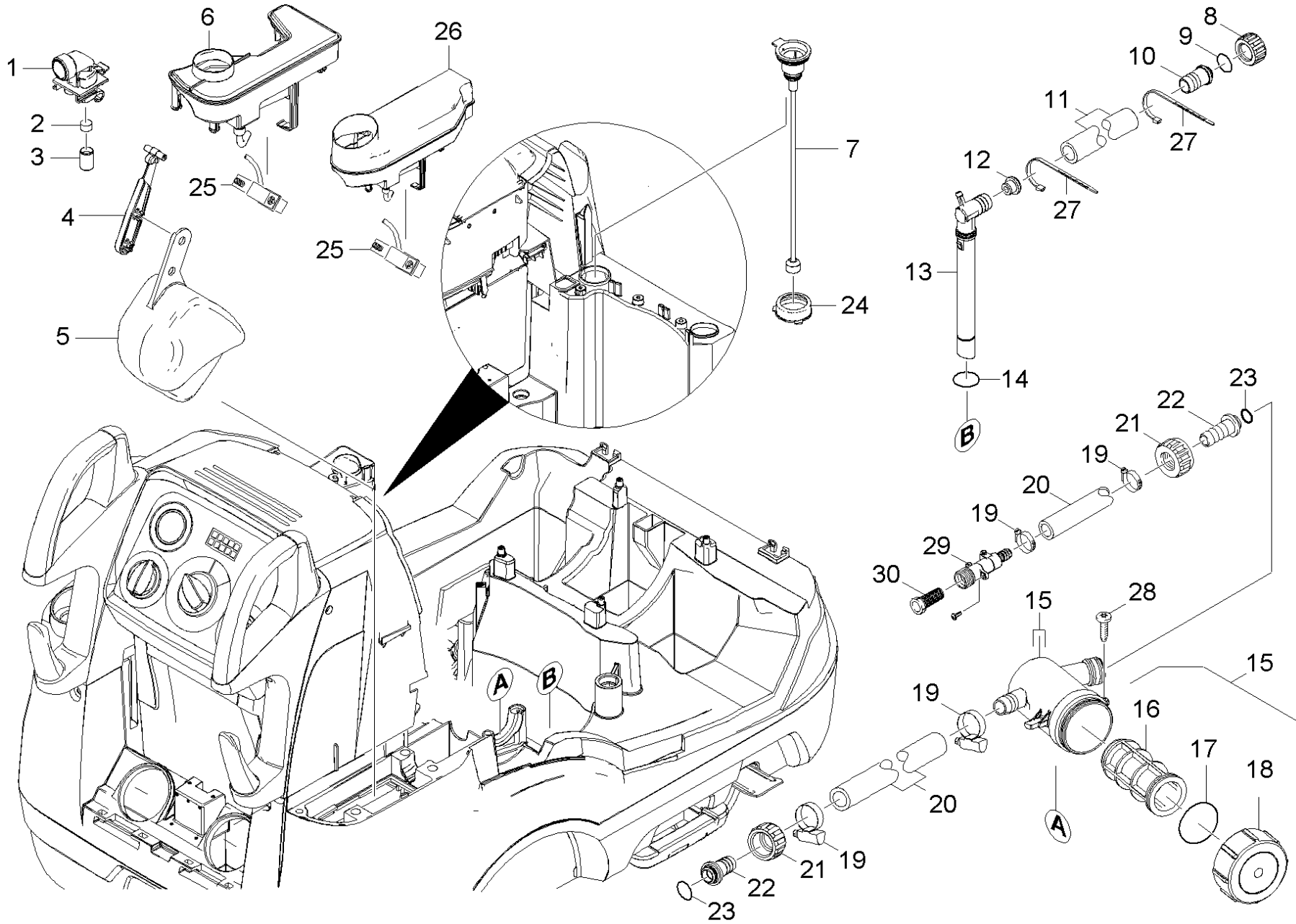
<b>POS</b>	<b>Article no.</b>	<b>Description</b>	<b>Quantity</b>	<b>Unit</b>
4	6.366-009.0	Seal string	1	ST
6	6.869-024.0	Quick-bonding agent	0,004	ZST

## 80 Float valve

---

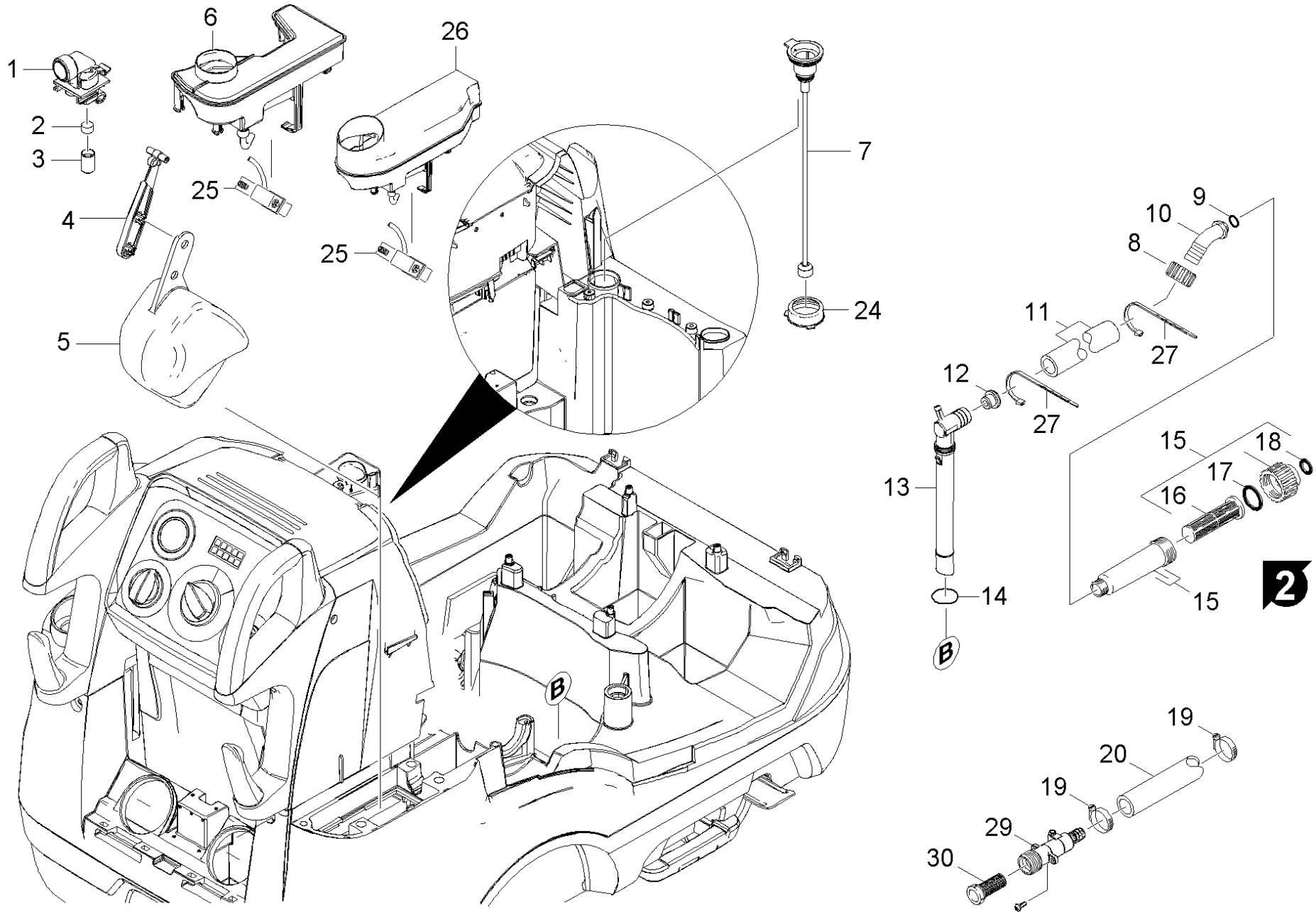
<b>POS</b>	<b>Description</b>	<b>Quantity</b>	<b>Unit</b>	<b>Remark</b>
81	Float valve	1	ST	VERSION 1
82	Float valve	1	ST	VERSION 2





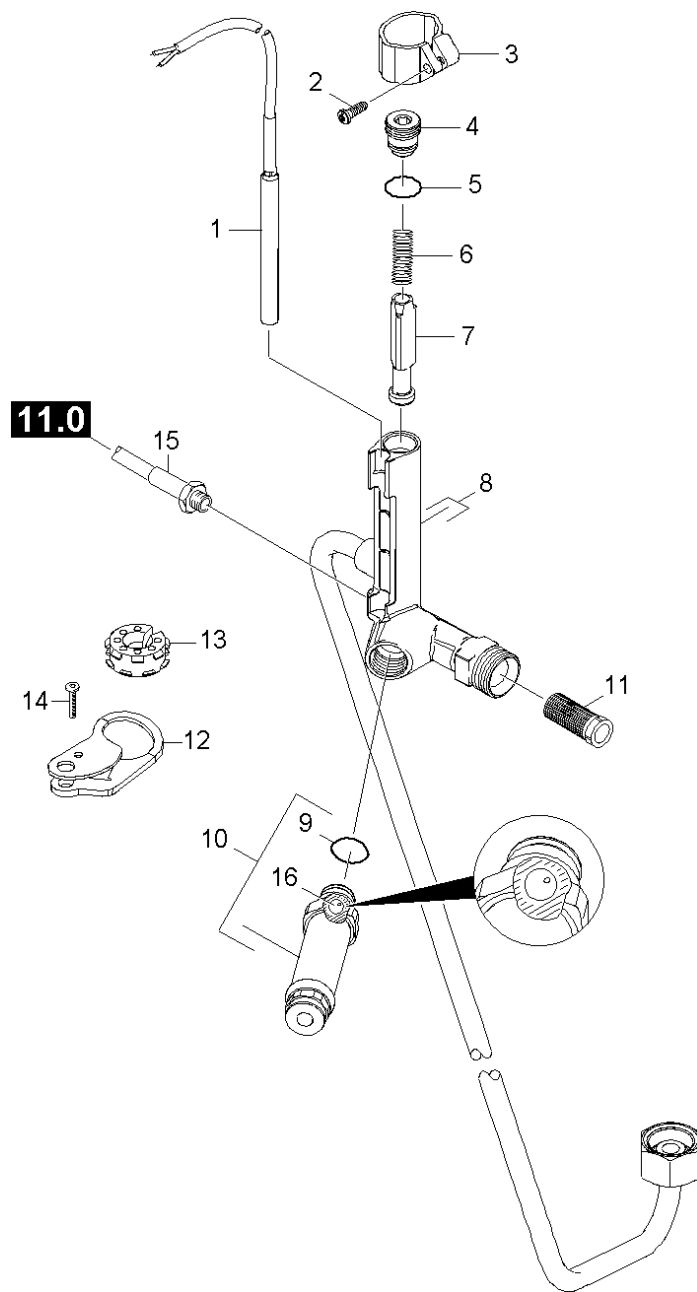
## 81 Float valve

POS	Article no.	Description	Quantity	Unit	Foot note text
1	5.587-214.0	Valve housing	1	ST	
2	5.364-095.0	Flat gasket	1	ST	
3	5.584-085.0	Valve pin	1	ST	
4	5.481-256.0	Lever	1	ST	
5	5.585-030.0	Float	1	ST	
6	4.070-658.3	Tank complete	1	ST	
	<b>Item text1:</b> 1.077-601.0 /-604.0 /-605.0 /-651.0				
	<b>Item text2:</b> /-652.0				
7	4.747-097.0	Level probe -nur für Ersatz-	1	ST	
8	5.310-062.0	Nut	1	ST	
9	6.362-078.0	O-Ring seal 13,3x2,4	1	ST	
10	5.443-312.0	Hose stem	1	ST	
11	6.391-612.0	Piece of tube only for replacement	1	ST	TO ORDER AS CUT GOODS
12	5.112-193.0	Bush	1	ST	
13	5.443-553.0	Connection piece	1	ST	
14	6.362-161.0	O-Ring seal 19,3 X 2,4	1	ST	
15	4.730-124.0	Filter complete	1	ST	
16	6.414-681.0	Filter cartridge	1	ST	
17	5.363-613.0	Seal	1	ST	
18	5.064-107.0	Cover	1	ST	
19	7.373-022.0	Hose clip A-16-27x9 -W2-2 DIN3017	4	ST	
20	6.388-719.0	Hose DN17	1	M	TO ORDER AS CUT GOODS
21	5.310-061.0	Nut R 3/4"	2	ST	
22	5.443-224.0	Hose stem	2	ZST	
23	6.362-078.0	O-Ring seal 13,3x2,4	2	ST	
24	5.365-289.0	Rubber bushing transmitter feeder	1	ST	
25	4.686-030.0	Solenoid valve only for replacement	1	ST	
26	4.070-905.0	Tank only for replacement	1	ST	
	<b>Item text1:</b> 1.077-606.0				
27	6.641-474.0	Cable tape 8-210	2	ST	
28	7.303-108.0	Screw 5x20 -10.9-R2R (In6Rd)	1	ST	
29	5.427-432.0	Manifold	1	ST	
30	6.414-141.0	Strainer	1	ST	



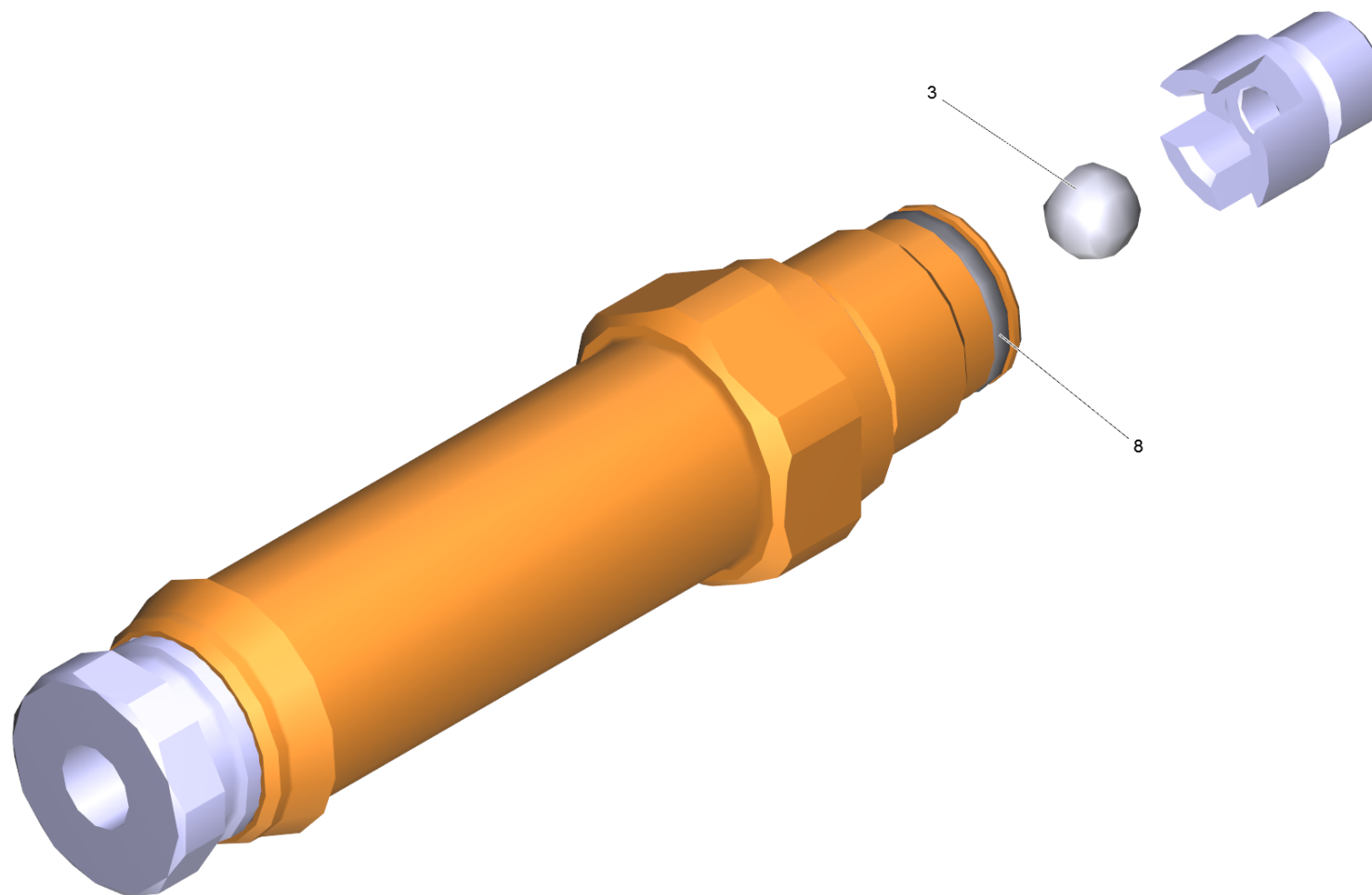
## 82 Float valve

POS	Article no.	Description	Quantity	Unit	Foot note text
1	5.587-214.0	Valve housing	1	ST	
2	5.364-095.0	Flat gasket	1	ST	
3	5.584-085.0	Valve pin	1	ST	
4	5.481-256.0	Lever	1	ST	
5	5.585-030.0	Float	1	ST	
6	4.070-658.3	Tank complete	1	ST	
	<b>Item text1:</b> 1.077-601.0 /-604.0 /-605.0 /-651.0				
	<b>Item text2:</b> /-652.0				
7	4.747-097.0	Level probe -nur für Ersatz-	1	ST	
8	5.310-062.0	Nut	1	ST	
9	6.362-078.0	O-Ring seal 13,3x2,4	1	ST	
10	5.443-365.0	HOSE STEM (HDS555C)	1	ST	
11	6.392-258.0	Piece of tube 19x4x280	1	ST	
12	5.112-286.0	Bush	1	ST	
13	5.443-553.0	Connection piece	1	ST	
14	6.362-161.0	O-Ring seal 19,3 X 2,4	1	ST	
15	4.730-127.0	Water filter	1	ST	
16	5.731-587.0	Water filter	1	ST	
17	5.363-336.0	Seal	1	ST	
18	5.363-545.0	Seal	1	ST	
19	7.373-022.0	Hose clip A-16-27x9 -W2-2 DIN3017	2	ST	
20	6.388-719.0	Hose DN17	1	M	TO ORDER AS CUT GOODS
24	5.365-289.0	Rubber bushing transmitter feeder	1	ST	
25	4.686-030.0	Solenoid valve only for replacement	1	ST	
26	4.070-905.0	Tank only for replacement	1	ST	
	<b>Item text1:</b> 1.077-606.0				
27	6.641-474.0	Cable tape 8-210	2	ST	
29	5.427-432.0	Manifold	1	ST	
30	6.414-141.0	Strainer	1	ST	



## 90 Safety system

POS	Article no.	Description	Quantity	Unit
1	2.885-051.0	Reed switch replacement	1	ST
2	6.303-122.0	M4 .2X13 DIN 7981 TORX T15 PAN HD HI/LO	1	ST
3	5.041-076.0	Clamp	1	ST
4	5.305-162.0	Shaped screw	1	ST
5	6.362-482.0	O-Ring seal 10 x 1,5-NBR 70	1	ST
6	5.332-057.0	Helical spring	1	ST
7	4.551-058.0	Cartridge protection against water short	1	ST
8	4.427-040.0	Manifold complete screw plug	1	ST
9	6.362-845.0	O-Ring seal 10,82x 1,78	1	ST
10	4.580-709.0	Safety valve complete replacement	1	ST
11	6.414-566.0	Strainer WMS	1	ST
12	5.378-150.0	Holder pipe	1	ST
13	5.767-023.0	Rubber buffer	1	ST
14	7.303-108.0	Screw 5x20 -10.9-R2R (In6Rd)	1	ST
15	6.389-811.0	High pressure hose	1	ST
16	6.401-429.0	Sphere polyamide 8mm	1	ST



## 10 Safety valve complete replacement (4.580-709.0)

---

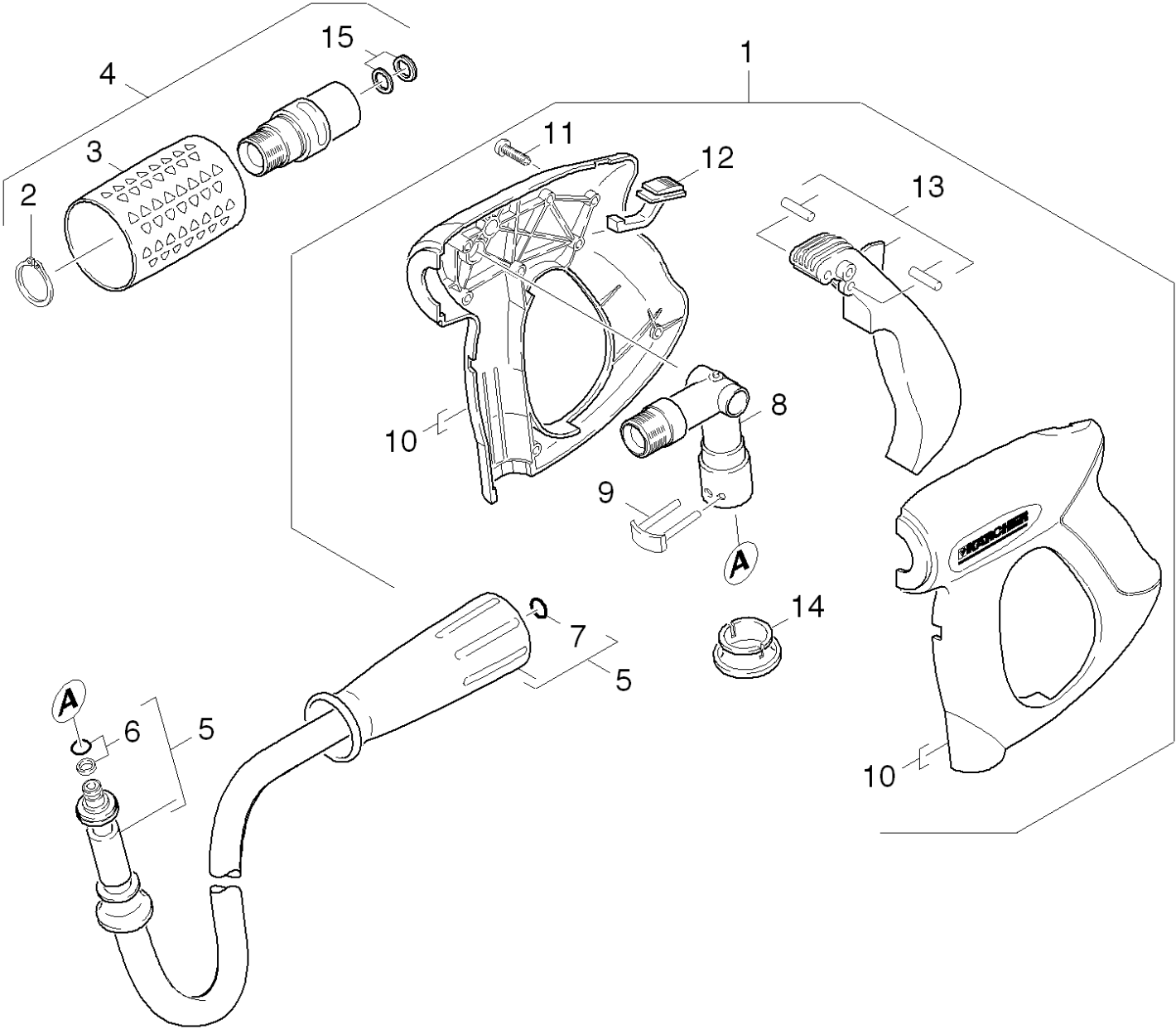
<b>POS</b>	<b>Article no.</b>	<b>Description</b>	<b>Quantity</b>	<b>Unit</b>
3	6.401-429.0	Sphere polyamide 8mm	1	ST
8	6.362-845.0	O-Ring seal 10,82x 1,78	1	ST



## 100 Accessories

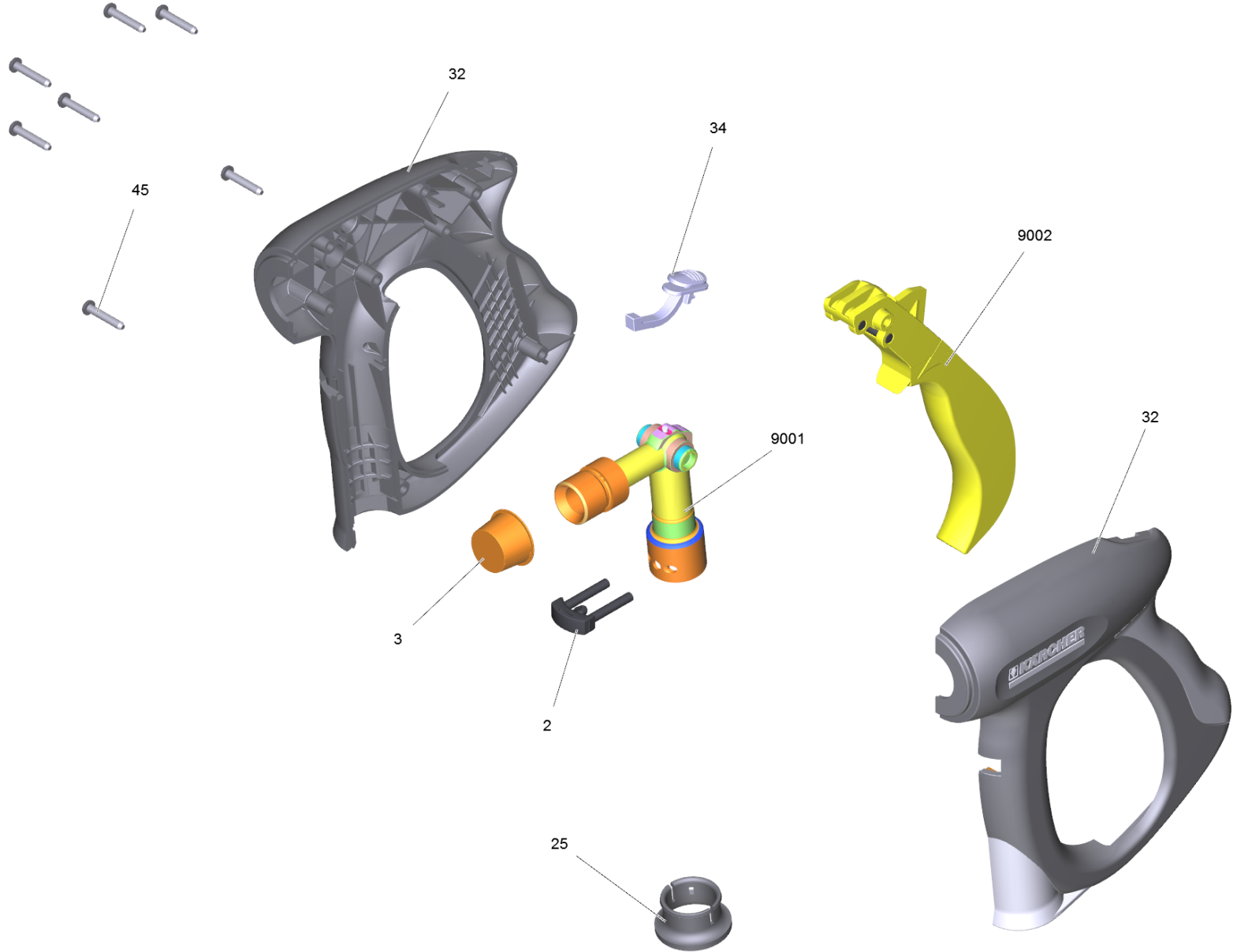
---

<b>POS</b>	<b>Description</b>	<b>Quantity</b>	<b>Unit</b>
101	Hand trigger gun	1	ST
102	Hand trigger gun	1	ST
103	Jet pipe	1	ST



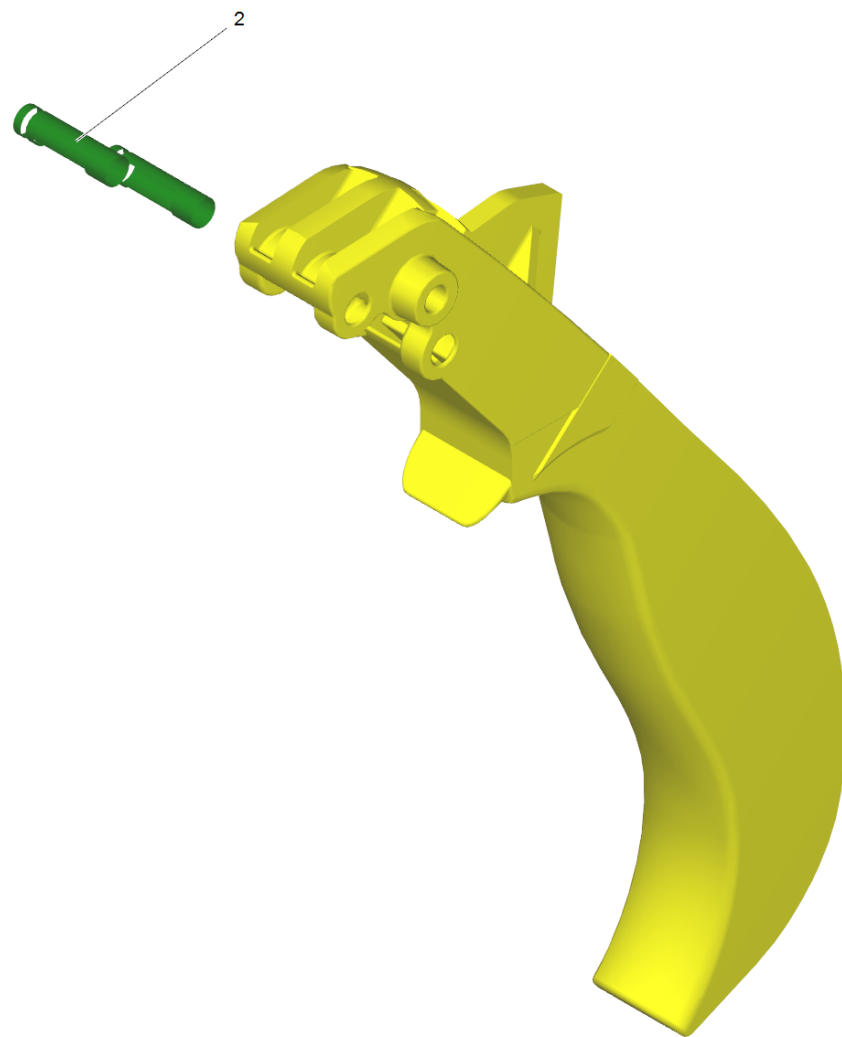
101 Hand trigger gun

POS	Article no.	Description	Quantity	Unit
1	4.775-463.0	HAND TRIGGER GUN EASY PRESS	1	ST
2	7.343-008.0	Locking ring 25x1,2-St-vz DIN 471	1	ST
3	5.321-668.0	Handle	1	ST
4	4.775-470.0	Rotary controller 416L	1	ST
5	6.391-351.0	Hose assembly only for replacement DN8 4	1	ST
6	4.363-691.0	O-Ring seal kpl. -nur fuer Ersatz-	1	ST
7	2.880-990.0	Spare part set O-Ring 5x -Kaercher	1	ST
8	4.427-215.0	Manifold complete only for replacement	1	ST
9	4.037-013.0	Hook	1	ST
10	5.321-669.3	Handhold few	1	ST
11	7.303-096.0	Screw 4x22 -ST-10.9-R2R (IN6RD)	7	ST
12	5.481-331.0	Slider	1	ST
13	4.481-209.0	Lever complete	1	ST
14	5.110-596.0	Sleeve	1	ST
15	4.363-695.0	Grooved ring only for replacement	1	ST



1 HAND TRIGGER GUN EASY PRESS (4.775-463.0)

POS	Article no.	Description	Quantity	Unit
2	4.037-013.0	Hook	1	ST
3	6.368-012.0	Protecting cap 22X1,5	1	ST
4	6.869-075.0	Metal bonding agent 1,5 ml	1	ST
<b>cart_info_txt:</b> This material is not available due to hazardous good regulation. Please procure this or a similar material from a local supplier of your choice.				
25	5.110-596.0	Sleeve	1	ST
32	5.321-669.3	Handhold few	1	ST
34	5.481-331.0	Slider	1	ST
45	7.303-096.0	Screw 4x22 -ST-10.9-R2R (IN6RD)	7	ST
1041	6.288-044.0	Silicon grease 100 G	1	ST
9001	4.427-215.0	Manifold complete only for replacement	1	ST
9002	4.481-209.0	Lever complete	1	ST

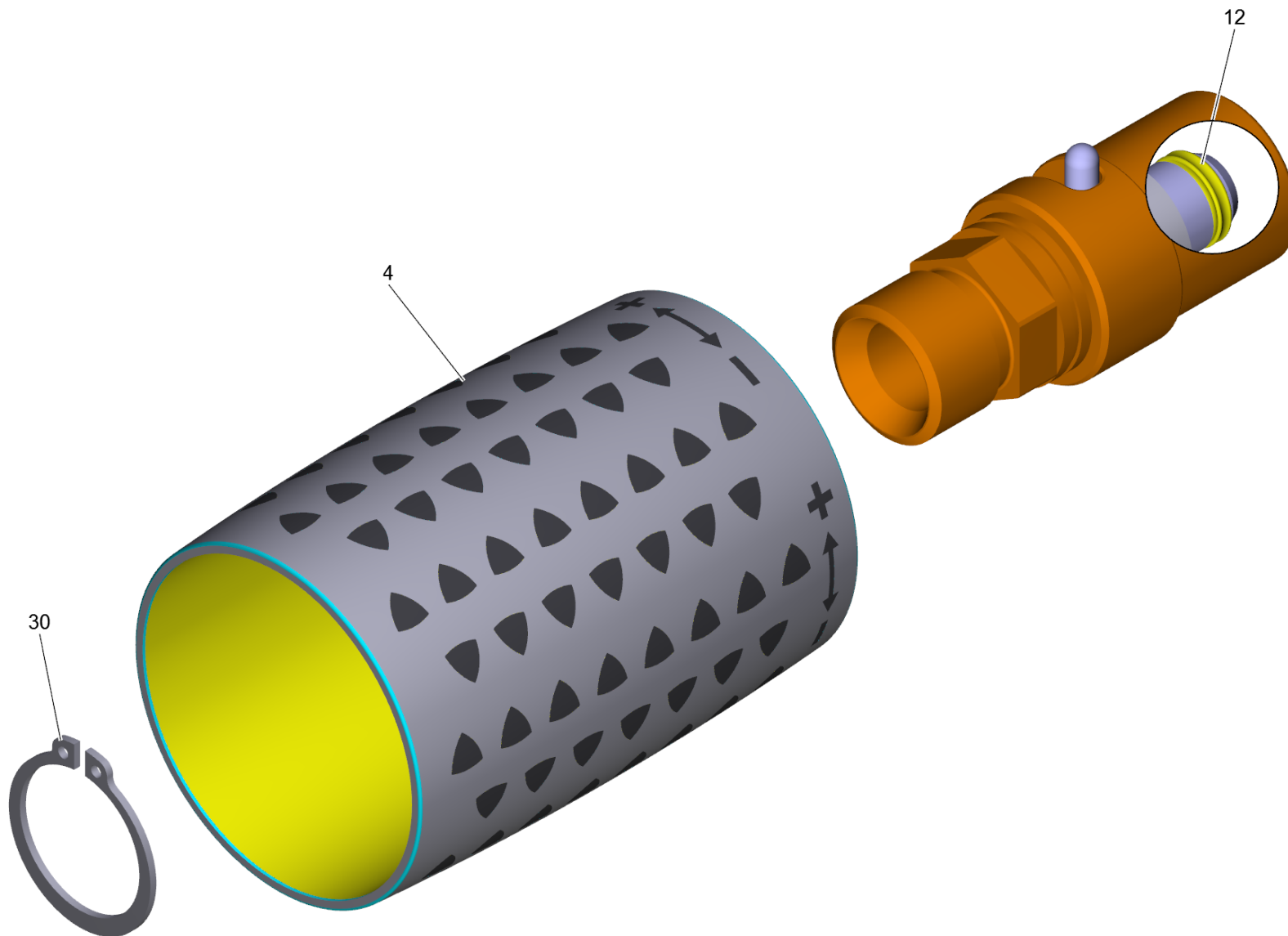


9002 Lever complete (4.481-209.0)

---

<b>POS</b>	<b>Article no.</b>	<b>Description</b>	<b>Quantity</b>	<b>Unit</b>
2	5.314-119.0	Pin	2	ST

---

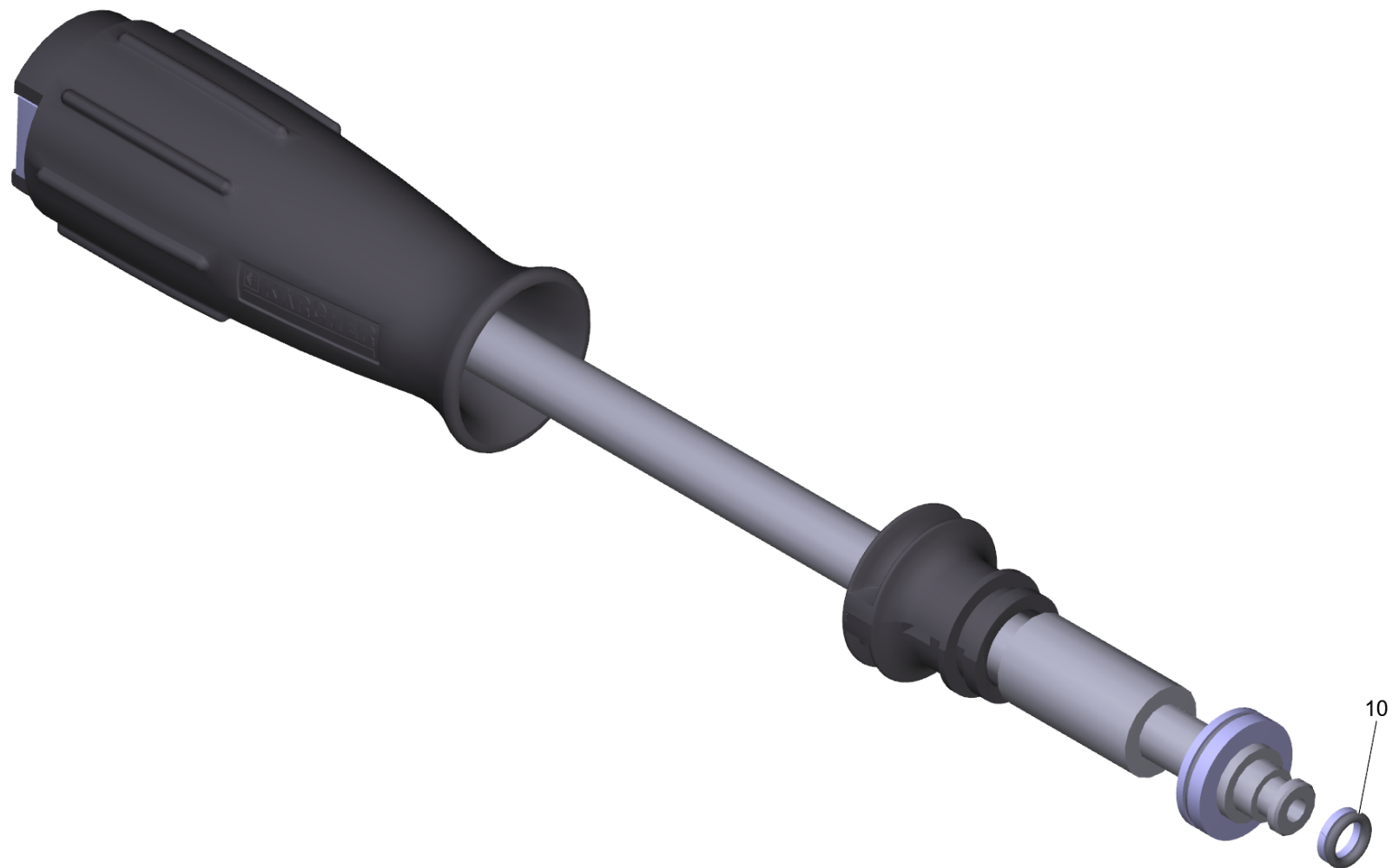




4 Rotary controller 416L (4.775-470.0)

---

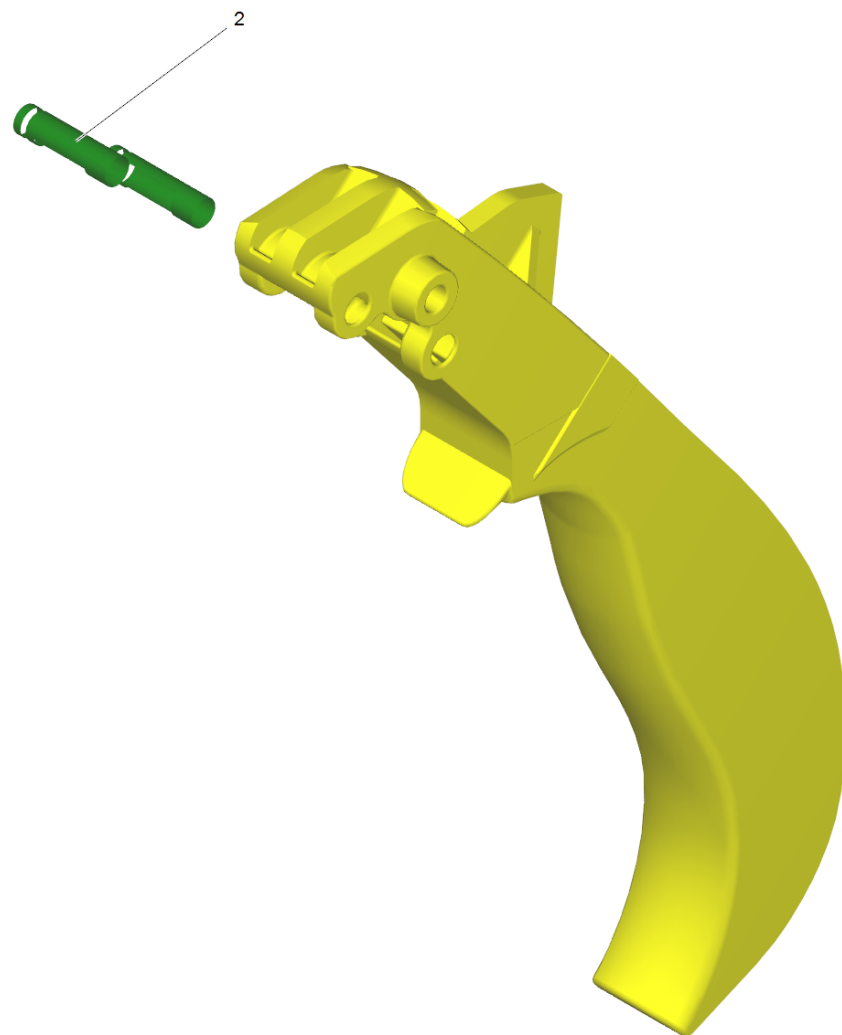
<b>POS</b>	<b>Article no.</b>	<b>Description</b>	<b>Quantity</b>	<b>Unit</b>
4	5.321-668.0	Handle	1	ST
12	2.880-001.0	Spare part set seals TR	1	ST
30	7.343-069.0	Locking ring 25x1,2-1.4122 DIN 471	1	ST



5 Hose assembly only for replacement DN8 4 (6.391-351.0)

---

<b>POS</b>	<b>Article no.</b>	<b>Description</b>	<b>Quantity</b>	<b>Unit</b>
10	4.363-691.0	O-Ring seal kpl. -nur fuer Ersatz-	1	ST

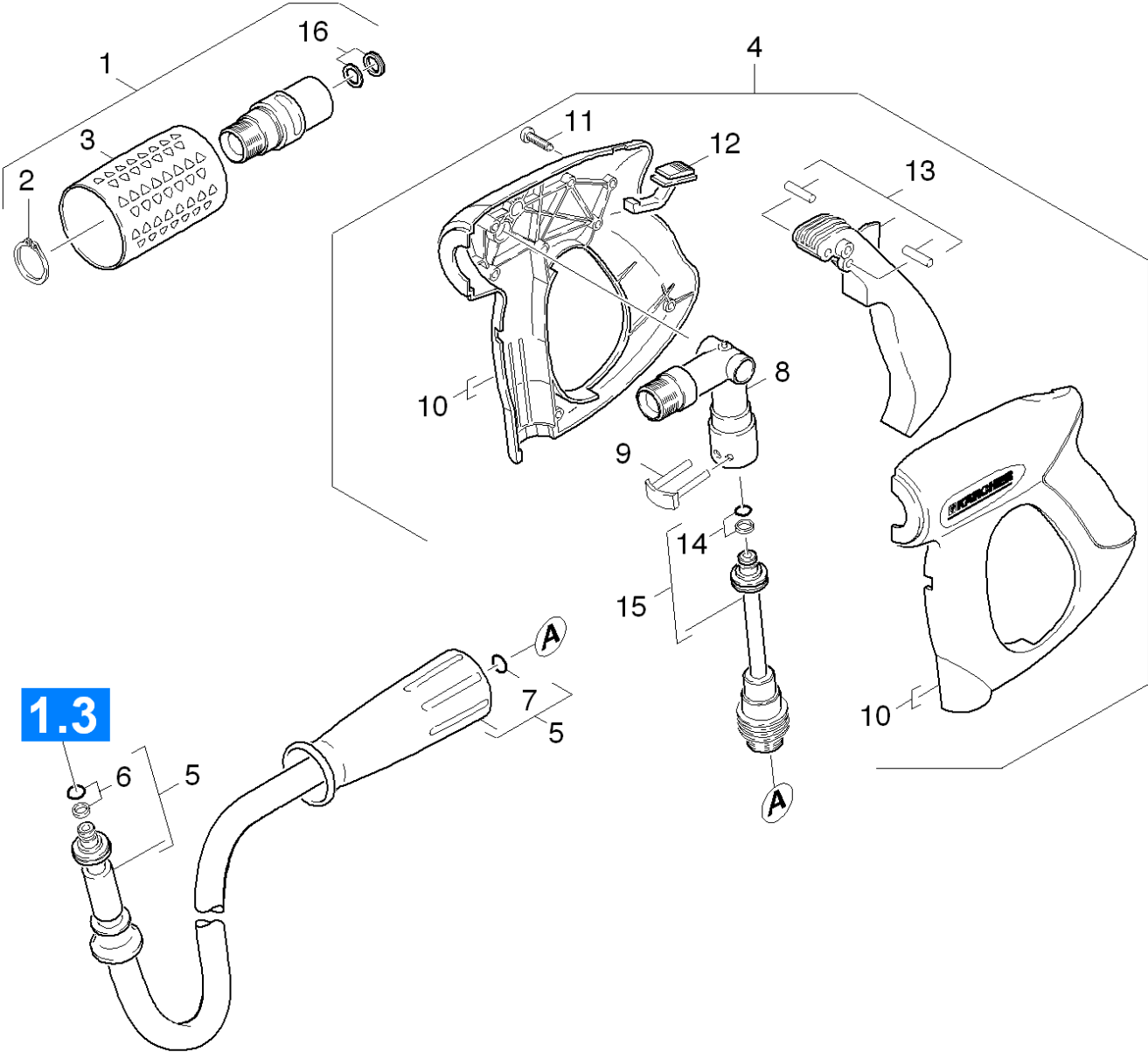


13 Lever complete (4.481-209.0)

---

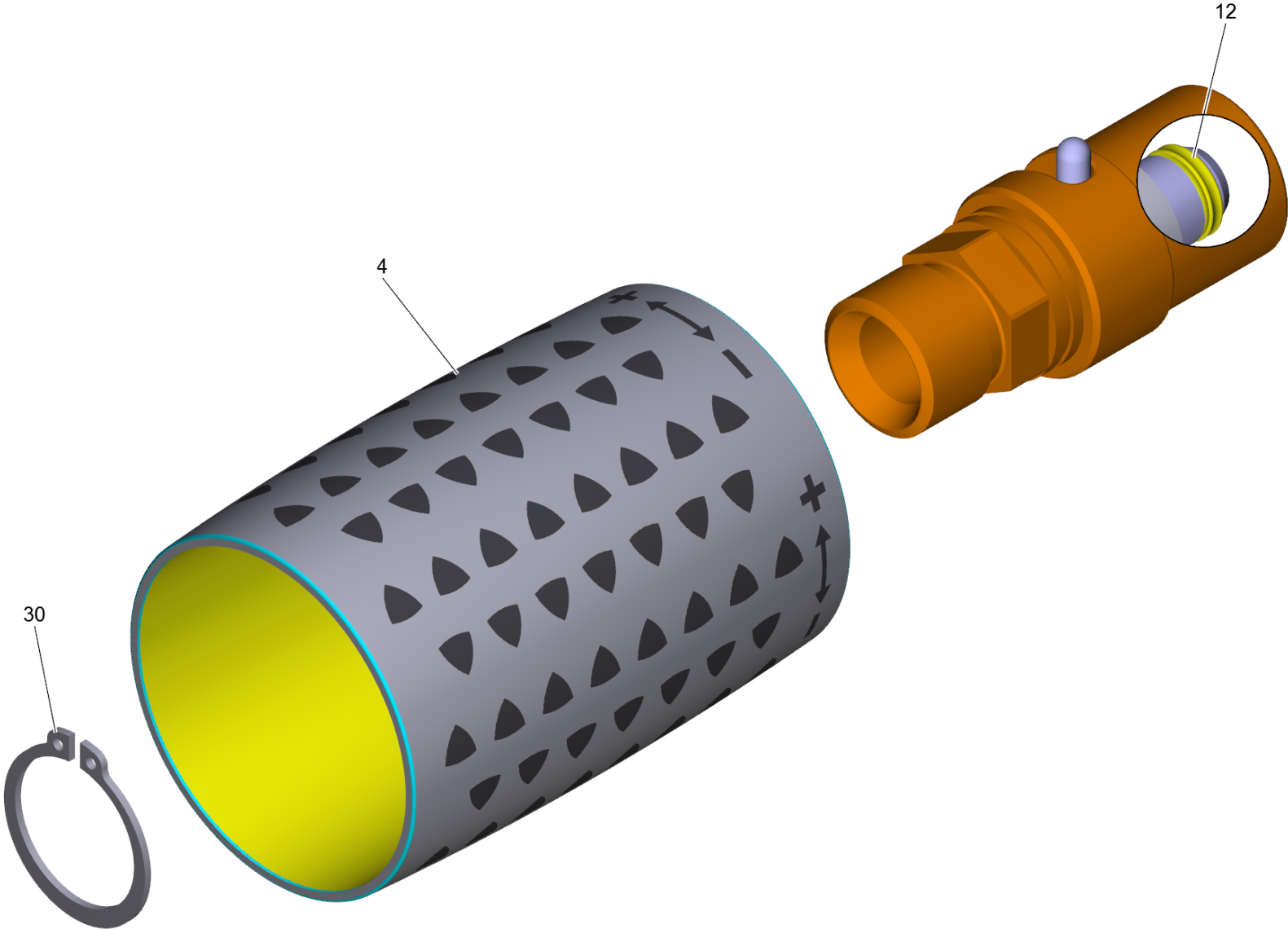
<b>POS</b>	<b>Article no.</b>	<b>Description</b>	<b>Quantity</b>	<b>Unit</b>
2	5.314-119.0	Pin	2	ST

---



## 102 Hand trigger gun

POS	Article no.	Description	Quantity	Unit
1	4.775-470.0	Rotary controller 416L	1	ST
2	7.343-008.0	Locking ring 25x1,2-St-vz DIN 471	1	ST
3	5.321-668.0	Handle	1	ST
4	4.775-466.0	Hand trigger gun	1	ST
5	6.390-208.0	Hose assembly DN8 40MPa 20m	1	ST
6	4.363-691.0	O-Ring seal kpl. -nur fuer Ersatz-	1	ST
7	2.880-990.0	Spare part set O-Ring 5x -Kaercher	1	ST
8	4.427-215.0	Manifold complete only for replacement	1	ST
9	4.037-013.0	Hook	1	ST
10	5.321-669.3	Handhold few	1	ST
11	7.303-096.0	Screw 4x22 -ST-10.9-R2R (IN6RD)	7	ST
12	5.481-331.0	Slider	1	ST
13	4.481-209.0	Lever complete	1	ST
14	4.363-691.0	O-Ring seal kpl. -nur fuer Ersatz-	1	ST
15	4.421-739.3	Adapter pipelines AVS-M22x1,5	1	ST
16	4.363-695.0	Grooved ring only for replacement	1	ST





1 Rotary controller 416L (4.775-470.0)

---

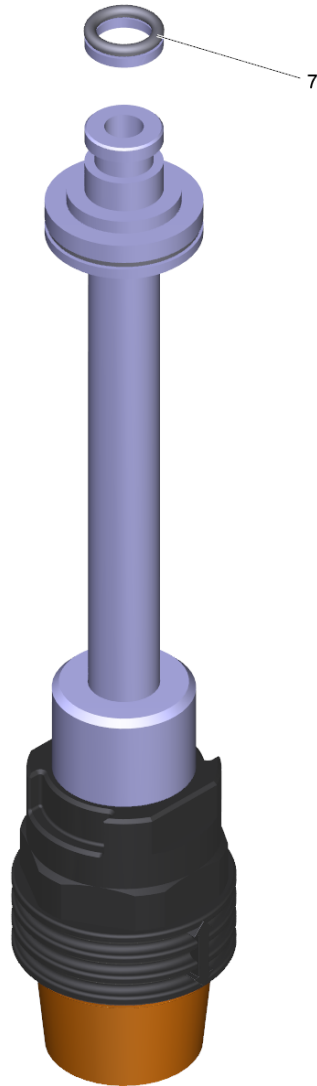
<b>POS</b>	<b>Article no.</b>	<b>Description</b>	<b>Quantity</b>	<b>Unit</b>
4	5.321-668.0	Handle	1	ST
12	2.880-001.0	Spare part set seals TR	1	ST
30	7.343-069.0	Locking ring 25x1,2-1.4122 DIN 471	1	ST



#### 4 Hand trigger gun (4.775-466.0)

---

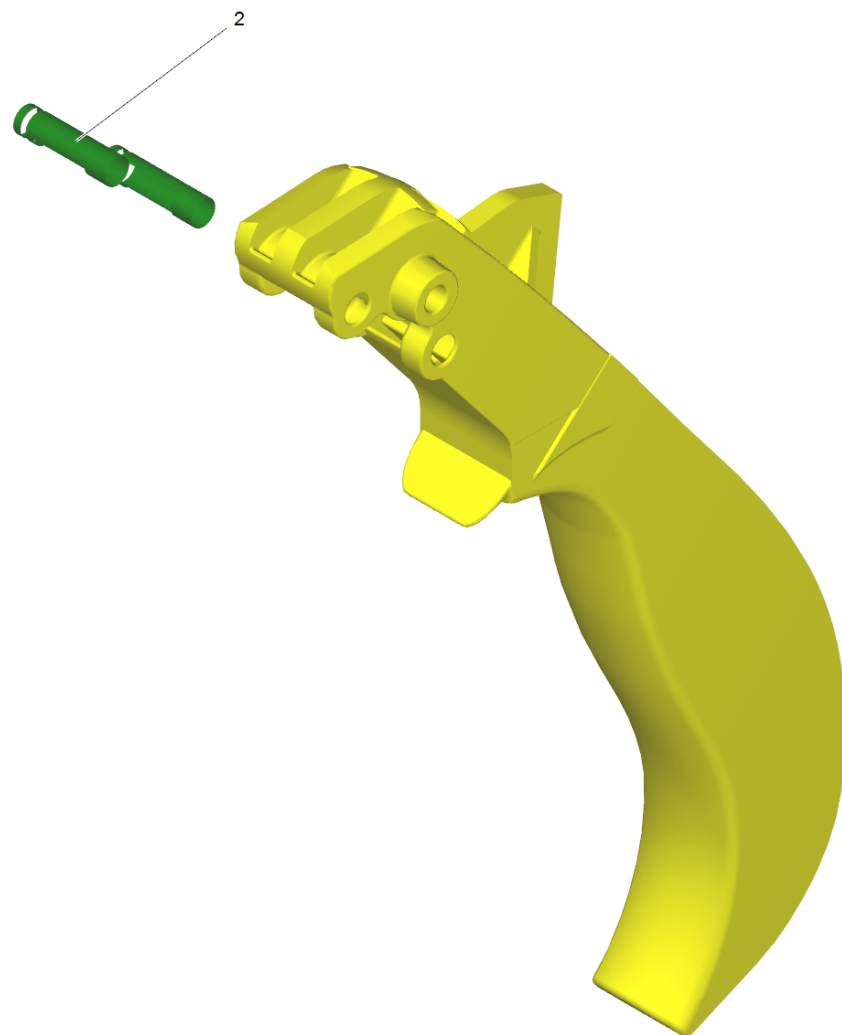
<b>POS</b>	<b>Article no.</b>	<b>Description</b>	<b>Quantity</b>	<b>Unit</b>
2	4.037-013.0	Hook	1	ST
32	5.321-669.3	Handhold few	1	ST
34	5.481-331.0	Slider	1	ST
45	7.303-096.0	Screw 4x22 -ST-10.9-R2R (IN6RD)	7	ST
60	4.421-739.3	Adapter pipelines AVS-M22x1,5	1	ST
9001	4.427-215.0	Manifold complete only for replacement	1	ST
9002	4.481-209.0	Lever complete	1	ST



60 Adapter pipelines AVS-M22x1,5 (4.421-739.3)

---

POS	Article no.	Description	Quantity	Unit
7	4.363-691.0	O-Ring seal kpl. -nur fuer Ersatz-	1	ST

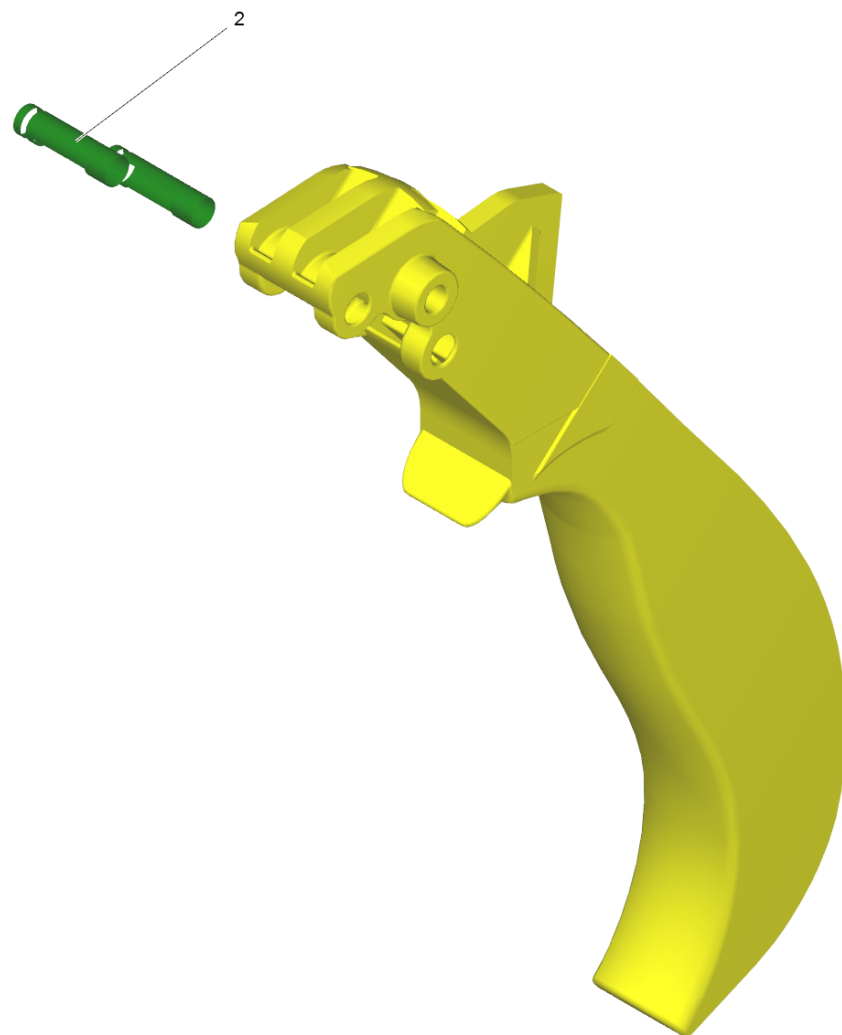


9002 Lever complete (4.481-209.0)

---

<b>POS</b>	<b>Article no.</b>	<b>Description</b>	<b>Quantity</b>	<b>Unit</b>
2	5.314-119.0	Pin	2	ST

---

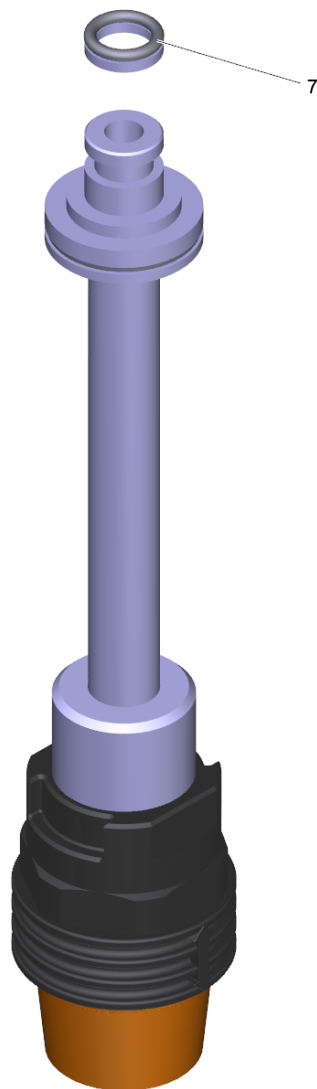




13 Lever complete (4.481-209.0)

---

POS	Article no.	Description	Quantity	Unit
2	5.314-119.0	Pin	2	ST



15 Adapter pipelines AVS-M22x1,5 (4.421-739.3)

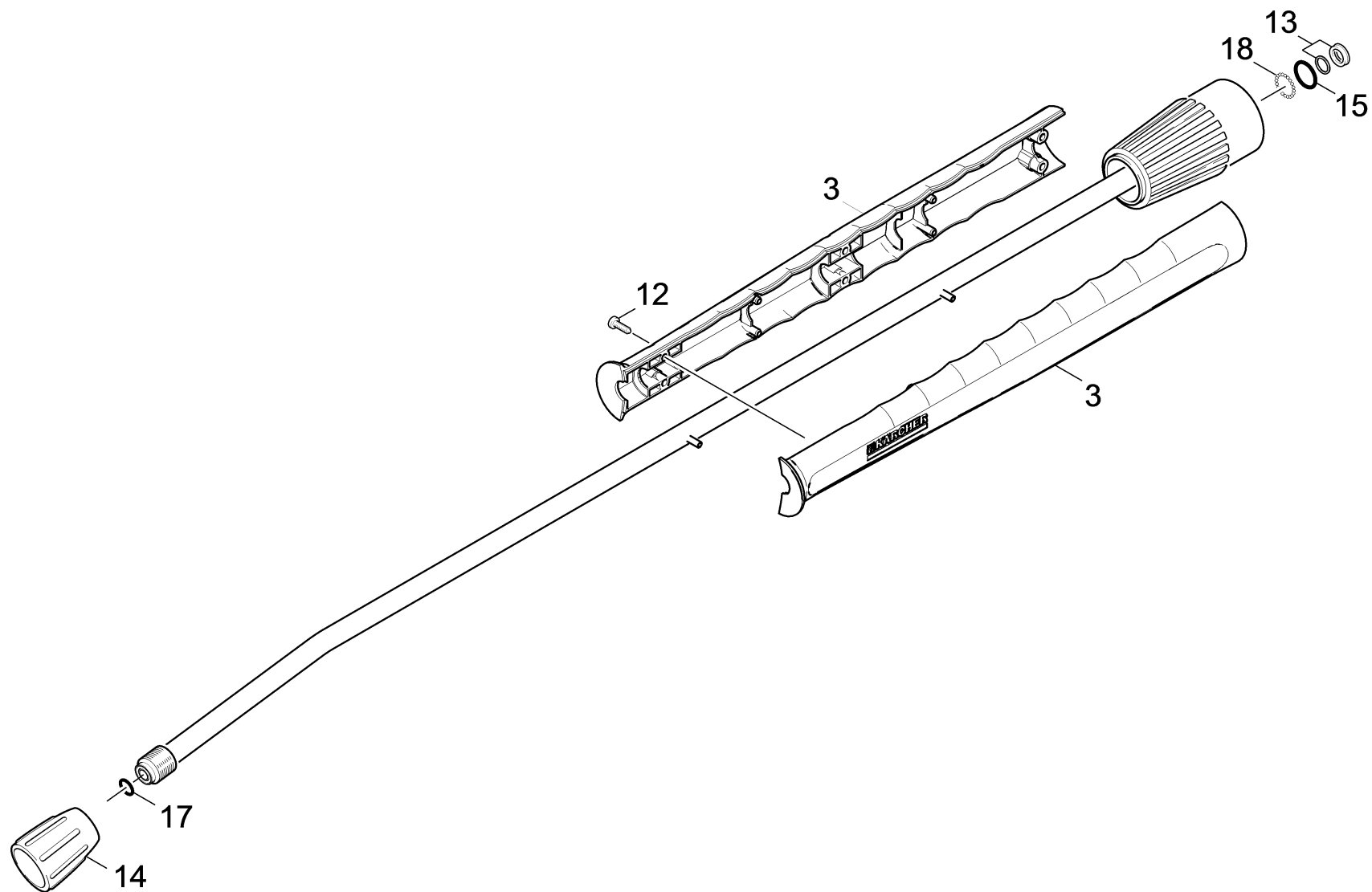
---

POS	Article no.	Description	Quantity	Unit
7	4.363-691.0	O-Ring seal kpl. -nur fuer Ersatz-	1	ST



103 Jet pipe

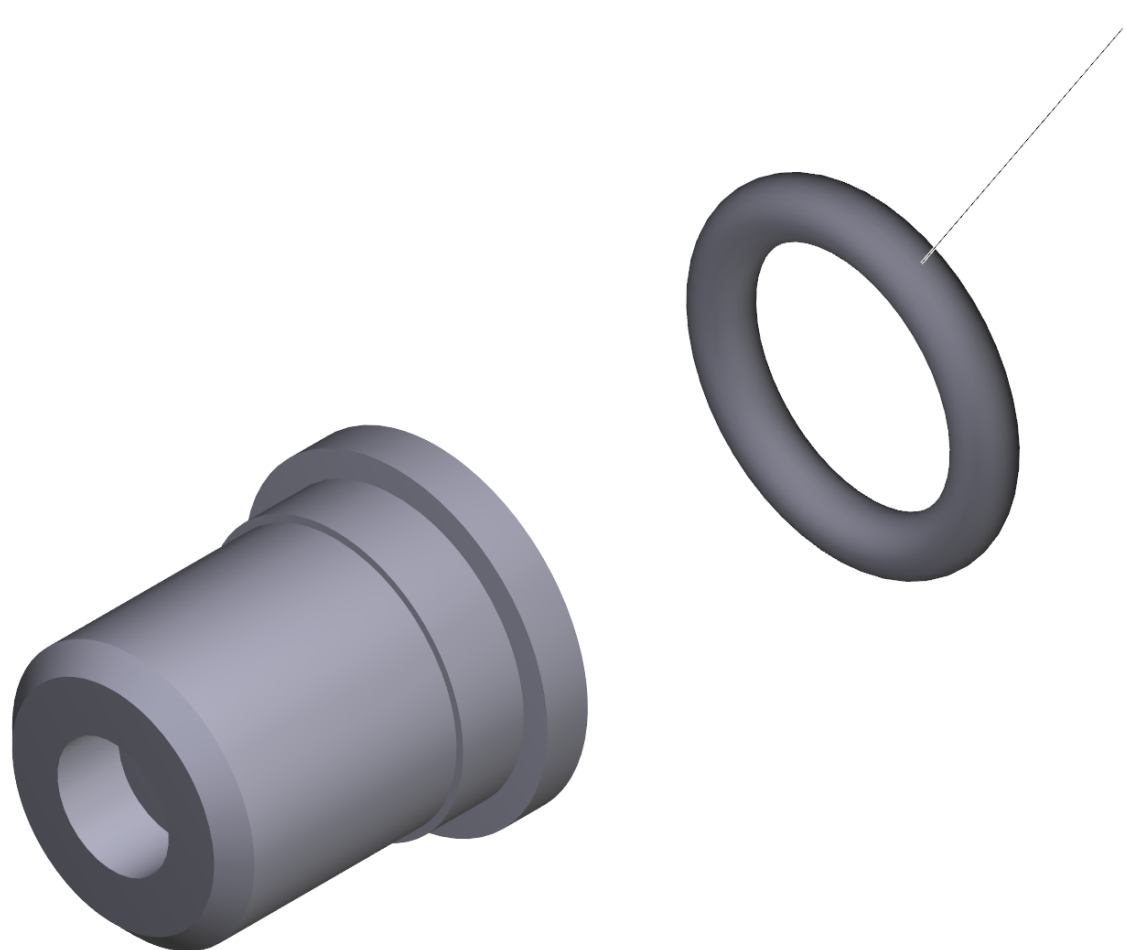
POS	Article no.	Description	Quantity	Unit
1	4.760-660.0	Jet pipe packaged only for replacement	1	ST
2	7.303-129.0	Screw 4x16 -10.9-R2R (K-In6Rd)	6	ST
3	5.321-855.0	Handhold few jet pipe with welding bolt	1	ST
4	2.880-990.0	Spare part set O-Ring 5x -Kaercher	1	ST
5	7.401-915.0	Sphere 2,5 G40 -1.4034 DIN 5401	20	ST
6	4.363-692.0	Grooved ring kpl. -nur fuer Ersatz-	1	ST
7	6.362-524.0	O-Ring seal 17,0 X 1,5	1	ST
8	5.401-210.0	Screw connector part	1	ST
9	2.883-829.0	Power nozzle 25043	1	ST
	<b>Item text1:</b> 1.077-604.0 /-605.0 /-652.0			
9	2.883-894.0	Power nozzle 25047	1	ST
	<b>Item text1:</b> 1.077-601.0 /-606.0 /-651.0			
9	2.885-119.0	Steam nozzle 40055	1	ST



1 Jet pipe packaged only for replacement (4.760-660.0)

---

POS	Article no.	Description	Quantity	Unit
3	5.321-855.0	Handhold few jet pipe with welding bolt	1	ST
12	7.303-129.0	Screw 4x16 -10.9-R2R (K-In6Rd)	6	ST
13	4.363-692.0	Grooved ring kpl. -nur fuer Ersatz-	1	ST
14	5.401-210.0	Screw connector part	1	ST
15	6.362-524.0	O-Ring seal 17,0 X 1,5	1	ST
17	2.880-990.0	Spare part set O-Ring 5x -Kaercher	1	ST
18	7.401-915.0	Sphere 2,5 G40 -1.4034 DIN 5401	1	ST

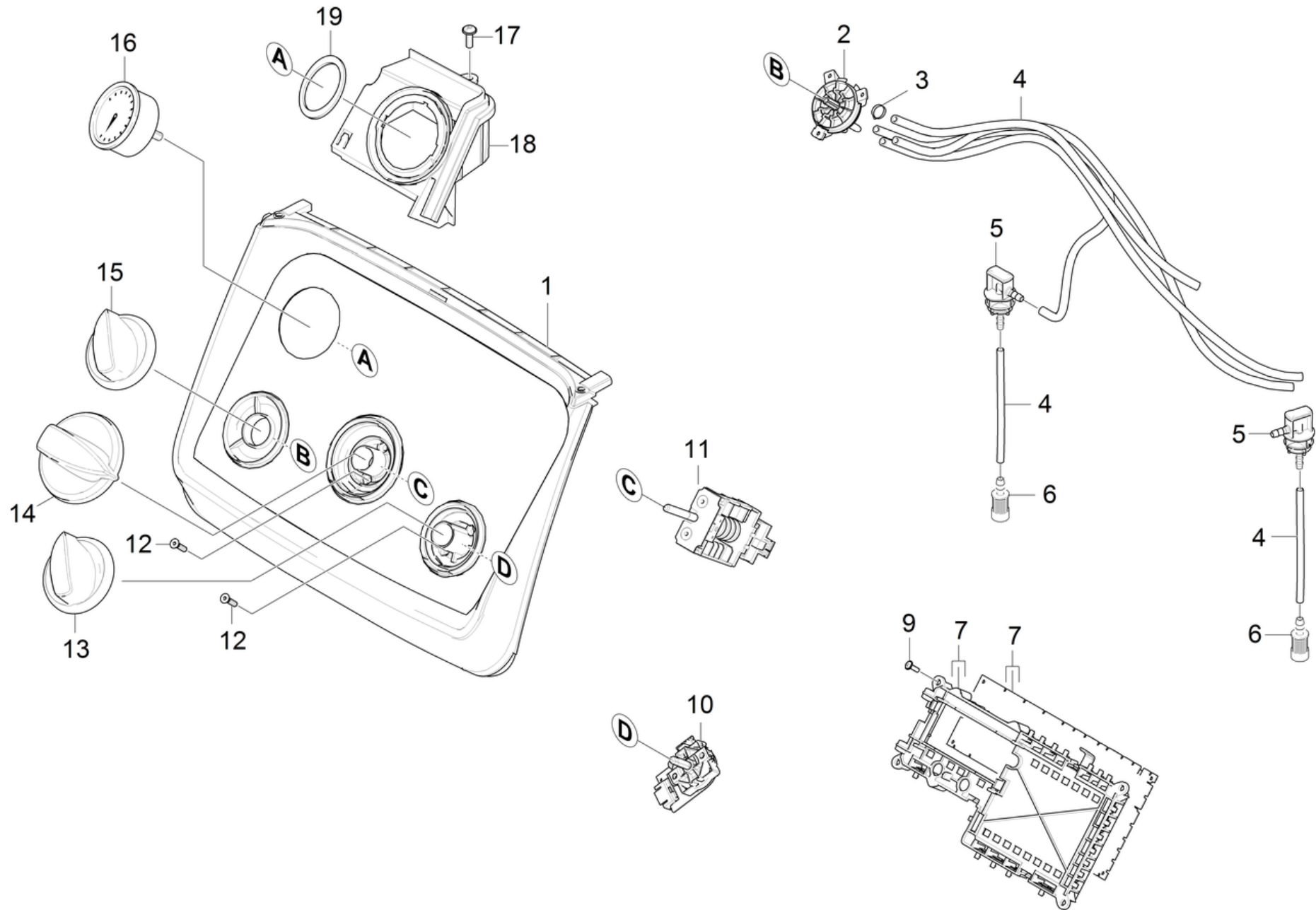




9 Power nozzle 25047 (2.883-894.0)

---

POS	Article no.	Description	Quantity	Unit
1	2.880-990.0	Spare part set O-Ring 5x -Kaercher	1	ST



## 150 Control panel

POS	Article no.	Description	Quantity	Unit	Foot note text
1	4.841-386.0	Control panel only for replacement	1	ST	
2	4.063-842.0	Proportioning valve chemistry	1	ST	
3	6.388-559.0	Hose clip	4	ST	
4	6.391-341.0	Hose chemistry DN 6	1	M	TO ORDER AS CUT GOODS
5	5.132-134.0	Plug	2	ST	
6	5.731-638.0	Filter with weight	2	ST	
7	2.885-052.0	Frame circuit board complete	1	ST	
9	7.303-106.0	Screw 4x12 -10.9-R2R (IN6RD)	2	ST	
10	4.630-005.0	Switch temperature only for replacement	1	ST	
11	6.630-421.3	Switch program selection	1	ST	
12	7.305-019.0	Countersunk screw M4x16 -8.8-R2R (In6Rd	4	ST	
13	5.321-847.0	Handle	1	ST	
14	5.321-848.0	Handle	1	ST	
15	5.321-844.0	Handle	1	ST	
16	4.423-020.0	Pressure gauge only for replacement 0-25	1	ST	
17	7.303-106.0	Screw 4x12 -10.9-R2R (IN6RD)	1	ST	
18	5.044-850.0	Holder pressure gauge	1	ST	
19	5.363-721.0	Joint ring	1	ST	