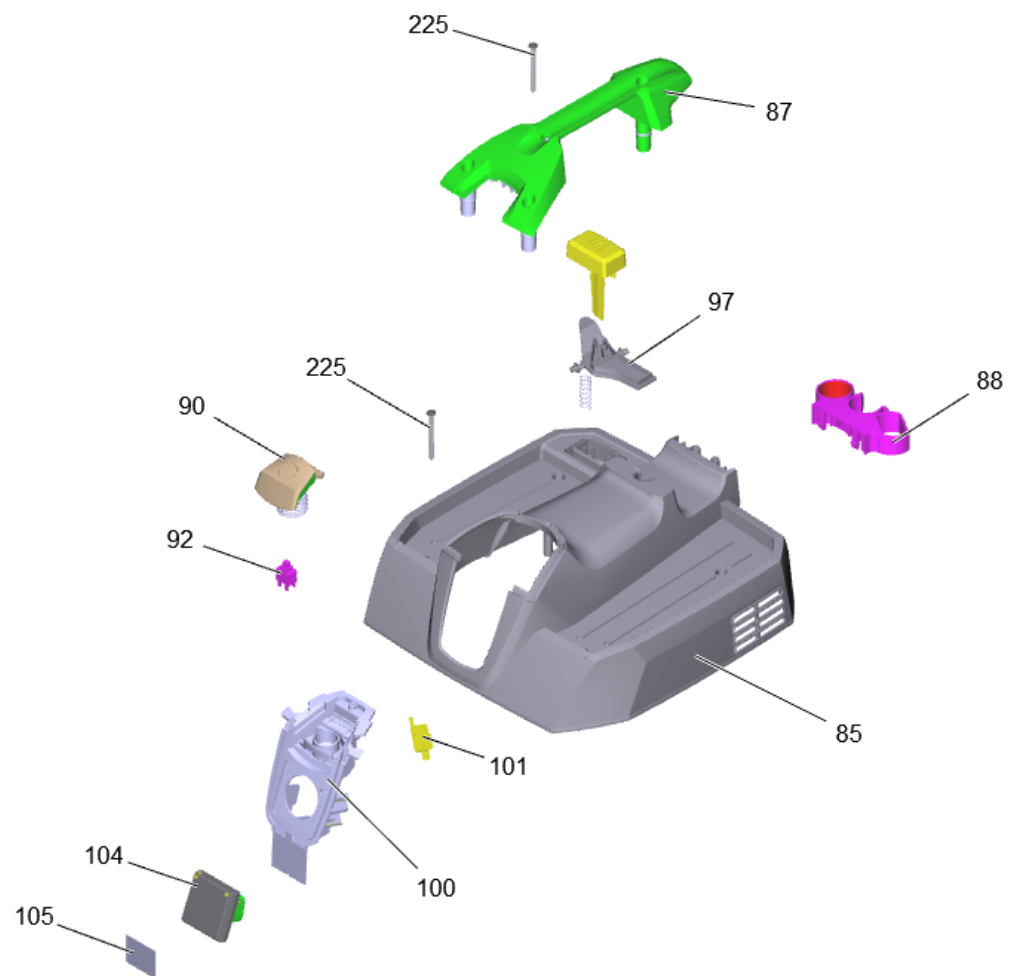


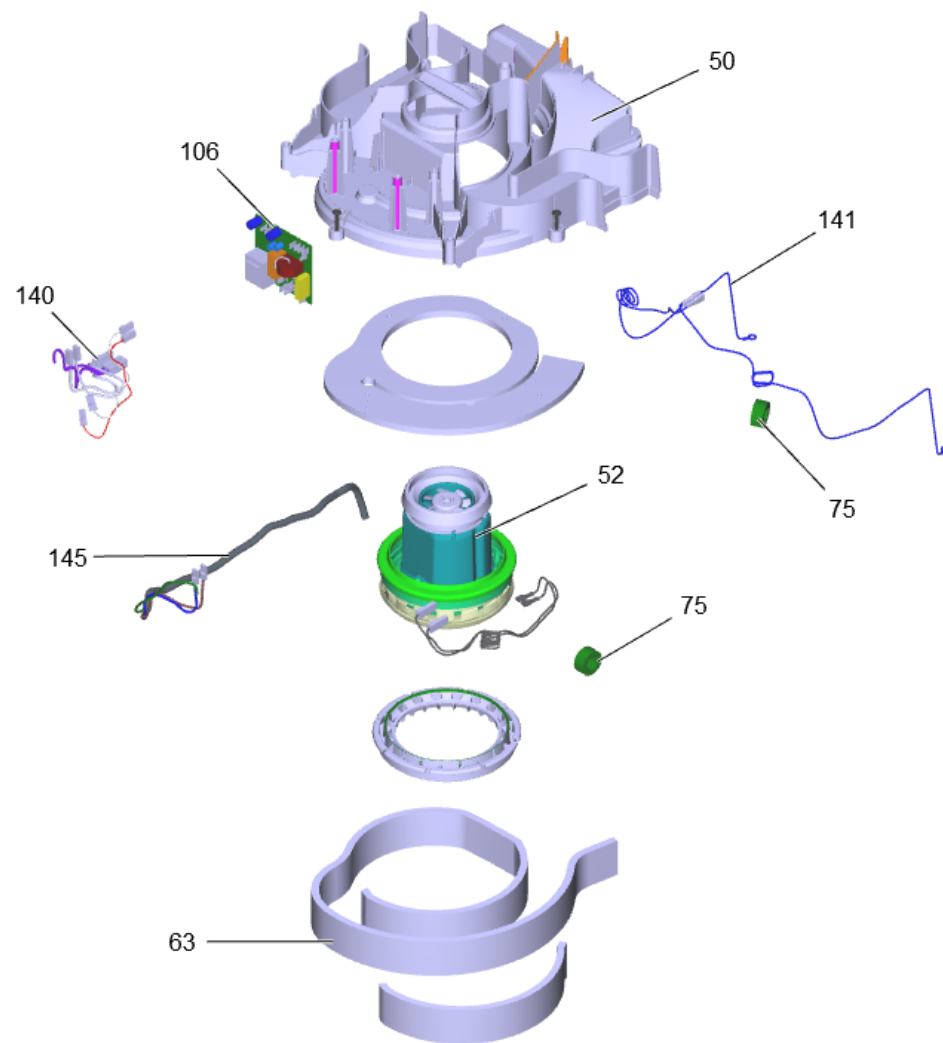
Spare parts list NT 20/1 Ap Te *EU (5.972-721.0)

Overview technical documents/Professional/Vacuum cleaner/Wet-/dry vacuum cleaner/NT 20/1 Ap Te *EU (1.378-510.0)/Spare parts list NT 20/1 Ap Te *EU (5.972-721.0)



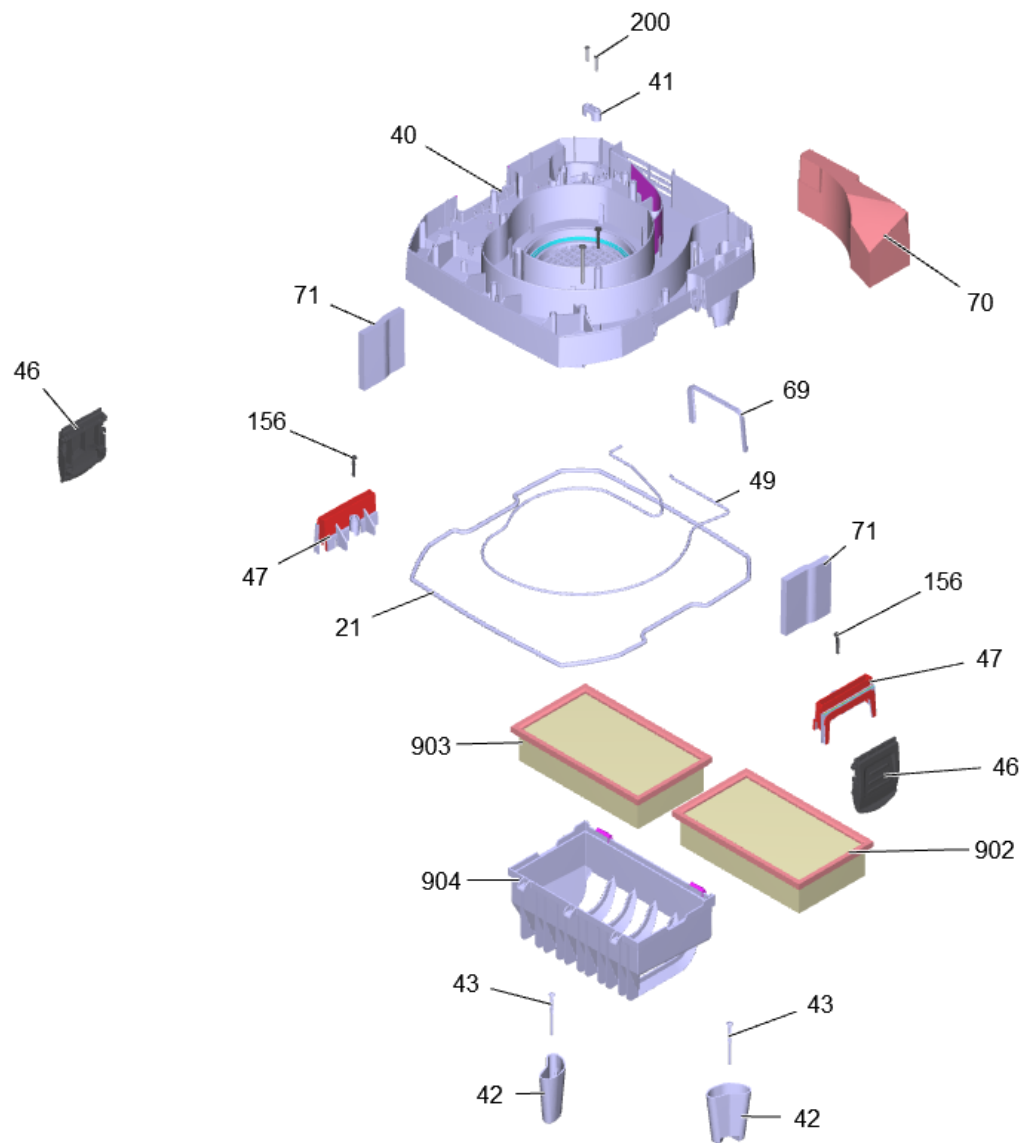
Spare parts list NT 20/1 Ap Te *EU (5.972-721.0)

Overview technical documents/Professional/Vacuum cleaner/Wet-/dry vacuum cleaner/NT 20/1 Ap Te *EU (1.378-510.0)/Spare parts list NT 20/1 Ap Te *EU (5.972-721.0)



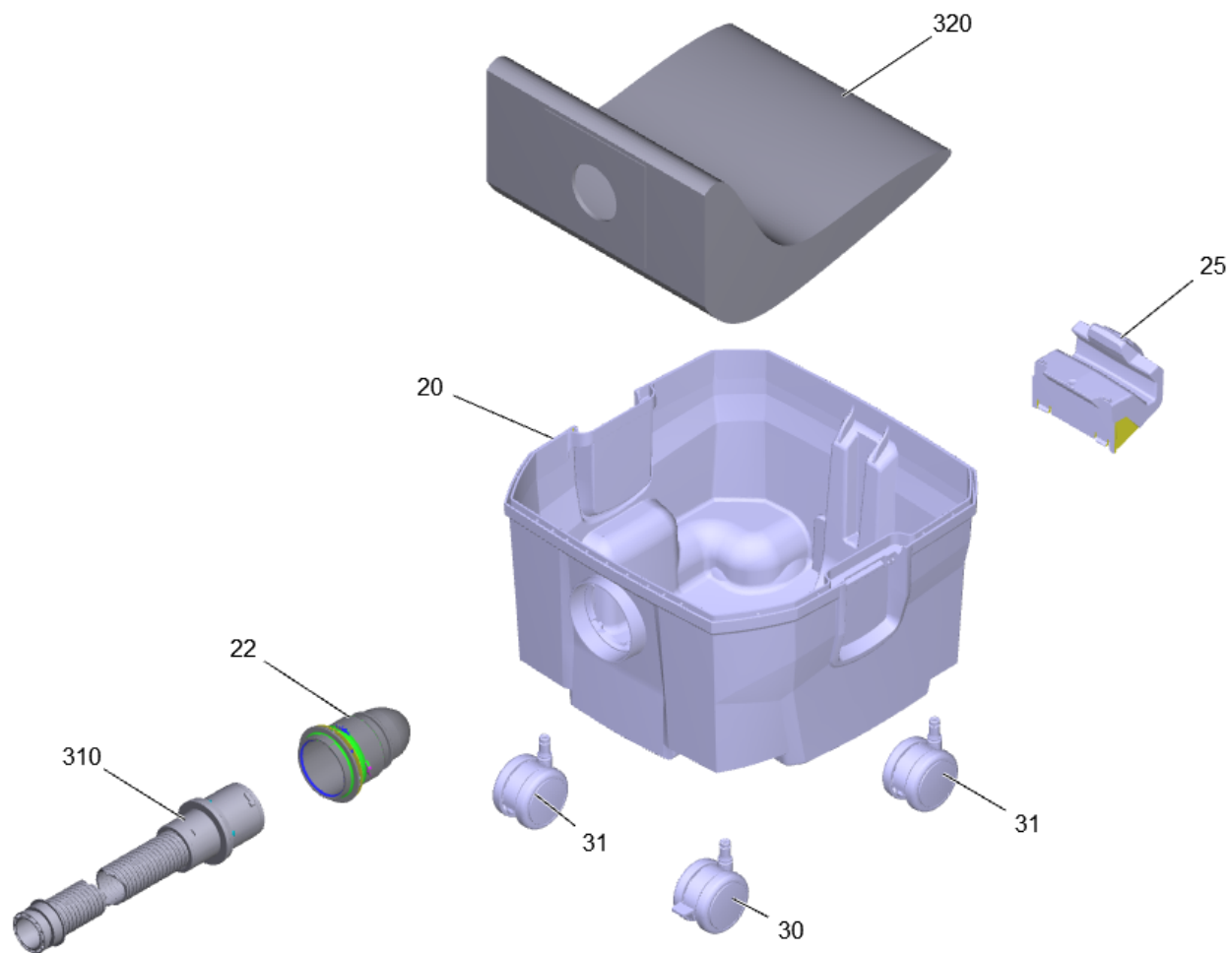
Spare parts list NT 20/1 Ap Te *EU (5.972-721.0)

Overview technical documents/Professional/Vacuum cleaner/Wet-/dry vacuum cleaner/NT 20/1 Ap Te *EU (1.378-510.0)/Spare parts list NT 20/1 Ap Te *EU (5.972-721.0)



Spare parts list NT 20/1 Ap Te *EU (5.972-721.0)

Overview technical documents/Professional/Vacuum cleaner/Wet-/dry vacuum cleaner/NT 20/1 Ap Te *EU (1.378-510.0)/Spare parts list NT 20/1 Ap Te *EU (5.972-721.0)



Spare parts list NT 20/1 Ap Te *EU (5.972-721.0)

Overview technical documents/Professional/Vacuum cleaner/Wet-/dry vacuum cleaner/NT 20/1 Ap Te *EU (1.378-510.0)/Spare parts list NT 20/1 Ap Te *EU (5.972-721.0)

Rez.daļas/nodil.pakļ.daļas	Poz.	Materiāla Nr.	Nosaukums	Daudzums	Pārdoš. vienība
	20	4.070-997.0	Tank complete RAL 7012	1.000	ST
X-X	21	6.363-669.0	Seal string cellular rubber D6	1.000	ST
	22	5.031-602.0	Suction connection	1.000	ST
	25	5.044-442.0	Holder floor nozzle basaltgrau RAL 7012	1.000	ST
	30	6.435-419.0	Dubultais ritenītis ar stāvbremzi	1.000	ST
	31	6.435-420.0	Double castor	3.000	ST
	40	5.605-415.0	Housing base plate	1.000	ST
	41	5.034-505.0	Retaining bracket cable	1.000	ST
X	42	5.044-407.0	Bracket probe RAL 9005	2.000	ST
	43	5.107-317.0	Probe	2.000	ST
X-X	45	6.904-367.0	Filtrs plakanais, NT 25/35/45	1.000	ST
X	46	5.034-021.0	Strap closure RAL 1018	2.000	ST
X-X	47	5.045-016.0	Downholder strap	2.000	ST
X	49	6.273-355.0	Seal string cellular rubber D3	1.000	ST
	50	5.605-418.0	Housing vacuum motor	1.000	ST
X	52	4.610-087.0	Vac motor complete DOMEL 230V	1.000	ST
	56	9.079-024.0	Seal motor above	1.000	ST
	63	2.885-416.0	Set insulating mats	1.000	ST
X	69	5.363-826.0	Seal blowing filter	1.000	ST
X	70	6.414-700.0	Blowing filter	1.000	ST
X	71	6.414-706.0	Blowing filter cooling air	2.000	ST
	75	6.346-043.0	Ferrite ring	2.000	ST
	85	4.069-043.0	Cover Professional packaged	1.000	ST
	87	5.322-161.0	Handhold cover	1.000	ST
X-X	88	5.033-915.0	Holder accssories yellow	1.000	ST

Spare parts list NT 20/1 Ap Te *EU (5.972-721.0)

Overview technical documents/Professional/Vacuum cleaner/Wet-/dry vacuum cleaner/NT 20/1 Ap Te *EU (1.378-510.0)/Spare parts list NT 20/1 Ap Te *EU (5.972-721.0)

Rez.daļas/nodil.pakļ.daļas	Poz.	Materiāla Nr.	Nosaukums	Daudzums	Pārdoš. vienība
	90	4.324-058.0	Pushbutton complete	1.000	ST
X	92	6.630-437.0	Ieslēgšanas/izslēgšanas slēdzis	1.000	ST
	97	4.324-059.0	Pushbutton dedusting complete	1.000	ST
	100	5.841-569.0	Control panel	1.000	ST
X	101	6.630-135.0	Mikroslēdzis	1.000	ST
	102	7.303-205.0	Screw 4x16-St-10.9-R2R (In6Rd)	1.000	ST
	104	6.646-432.0	Kontaktligzda *EIROPA	1.000	ST
	105	5.383-840.0	Marķējums 2200 W	1.000	ST
	106	6.682-630.0	Elektronika	1.000	ST
	140	4.839-051.0	Electrical small parts	1.000	ST
	141	6.650-418.0	Cable probe light blue 0,5mm²x810mm	2.000	ST
	145	4.649-089.0	Power cable complete *EU	1.000	ST
	200	6.303-150.0	Screw 4,2x 22	2.000	ST
	205	6.343-145.0	Lock washer 5	9.000	ST
	217	7.303-086.0	Skrūve 5x30 -10.9-R2R (K-In6Rd)	7.000	ST
	219	7.303-206.0	Screw 3,5x16 -10.9-A2E (In6Rd)	2.000	ST
	225	7.303-234.0	Screw 5x60 -10.9-A2K (K-In6Rd)	8.000	ST
X-X	310	4.440-626.0	Suction hose C DN35	1.000	ST
X-X	902	6.904-360.0	Filtrs plakanais NT, PES	1.000	ST
X-X	903	6.904-242.0	Filtrs plakanais	1.000	ST
X-X	903	6.904-367.0	Filtrs plakanais, NT 25/35/45	1.000	ST
	904	6.907-470.0	Filtering basket packaged Kärcher	1.000	ST
	999		Accessories	1.000	ST