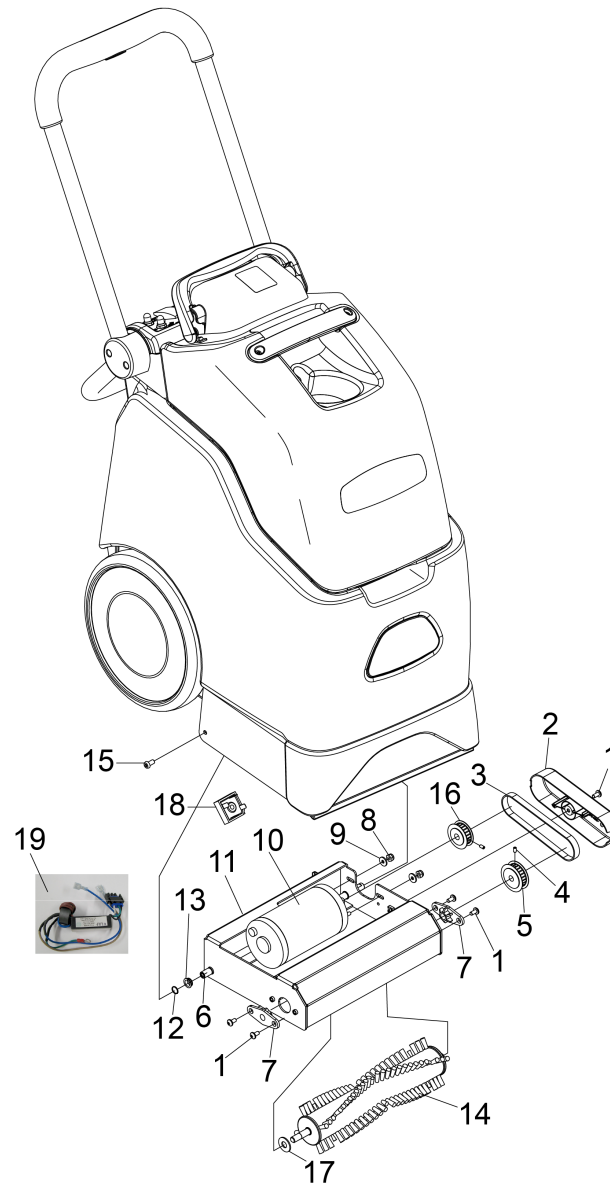


# 60 Power brush

Professional \ Floor cleaner \ Carpet cleaner \ BRC 30/15 C \ Spare parts list BRC 30/15C - Mini Pro \ Power brush



## 60 Power brush

Professional \ Floor cleaner \ Carpet cleaner \ BRC 30/15 C \ Spare parts list BRC 30/15C - Mini Pro \ Power brush

**KÄRCHER**

POS	Article no.	Description	Quantity	Unit
19	8.630-896.0	ASM, FILTER EMI BRUSH	1	PC
2	8.621-739.0	Covering cap belt	1	PC
18	8.622-346.0	Rectifier bridge 50A 1000V	1	PC
17	8.601-068.0	WASHER, 3/8 NYL	1	PC
16	8.622-335.0	Belt pulley motor	1	PC
14	8.621-604.0	BRUSH, CHEVRON, 10 IN	1	PC
11	8.621-792.0	FRAME, BRUSH DRIVE MINIPRO	1	PC
10	8.630-672.0	MOTOR ASM, 230V DC PM	1	PC
6	8.621-497.0	Axle brushes covering cap	1	PC
5	8.622-330.0	Belt pulley brush	1	PC
3	8.621-526.0	BELT, HTD 5MM 69T 9 WIDE	1	PC
9	8.617-333.0	WASHER, M5 SS ISO7093	2	PC
8	8.600-564.0	NUT, 10-32 HEX NYLOCK STL GR2 ZNPLT	2	PC
7	8.622-902.0	BEARING, BRUSH	2	PC
12	8.622-349.0	RING, 10MM EXT SNAP, DIN 471	2	PC
13	8.621-643.0	BUSHING, BRUSH PRESSURE	2	PC
15	8.617-322.0	SCREW, M6-1 X 12 FLGBTNHMS SS	2	PC
4	8.622-378.0	Threaded pin M4X8	2	PC
1	8.617-302.0	SCREW, M5 X 10 PNHMS SS ISO7045	5	PC