

Spare parts list

Spare parts list HD 7/17 P Modul

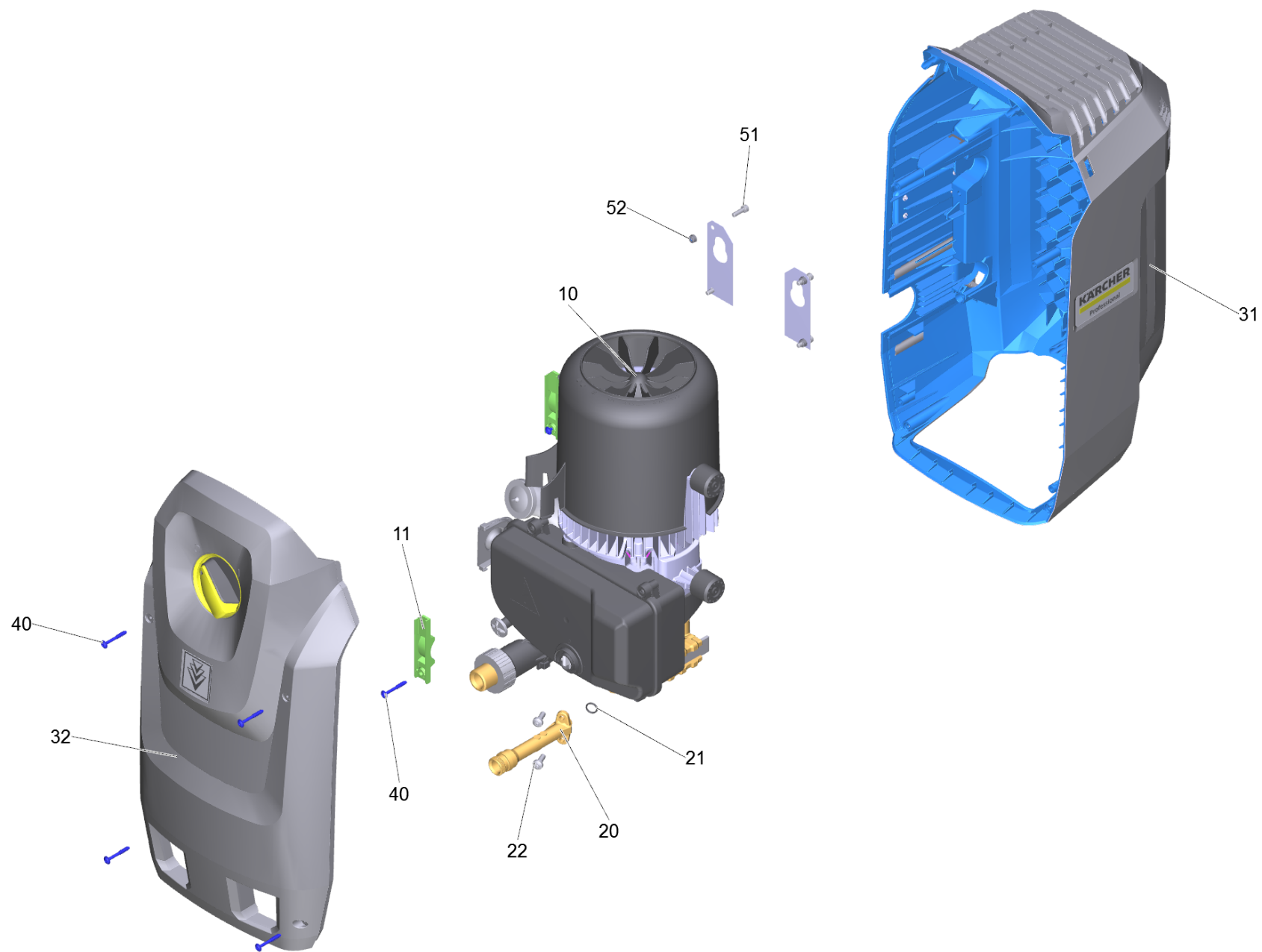
Table of contents

Spare parts list HD 7/17 P Modul	3
20 Unit HD 7/17 M St	5
10 Pump set HD 7/17 M *EU (D128)	7
1 Thrust guidance	9
3 Set motor complete HD 7/17 M *EU (4.100-643.0)	11
1 Motor complete HD 7/17 M *EU (D128)	13
4 Cylinder head complete HD-M TK45 D14	15
3 Water intake complete	17
900 Pump set HD-M (2.883-069.0)	19
1 Valve (3 Stück) (2.884-916.0)	21
9 Valve pin complete (4.584-022.0)	23



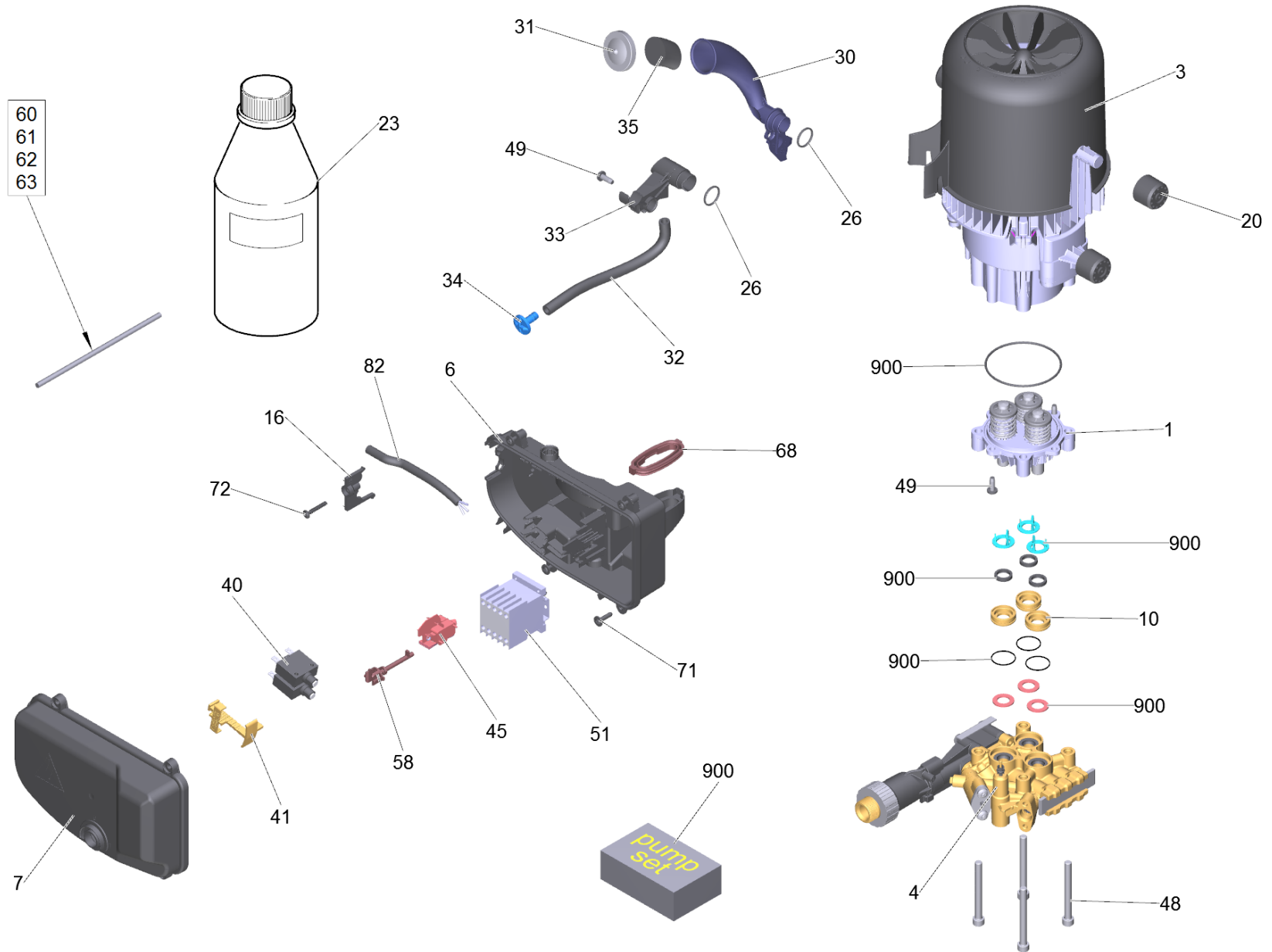
Spare parts list HD 7/17 P Modul

POS	Article no.	Description	Quantity	Unit
6	5.387-620.0	Warning sticker-Prevent from freezing	1.000	ST
20		Unit HD 7/17 M St	1.000	ST
26	4.111-049.0	Adapter wall bracket completely	1.000	ST
27	4.111-034.0	Adapter 6 TR22IG-M22AG	1.000	ST



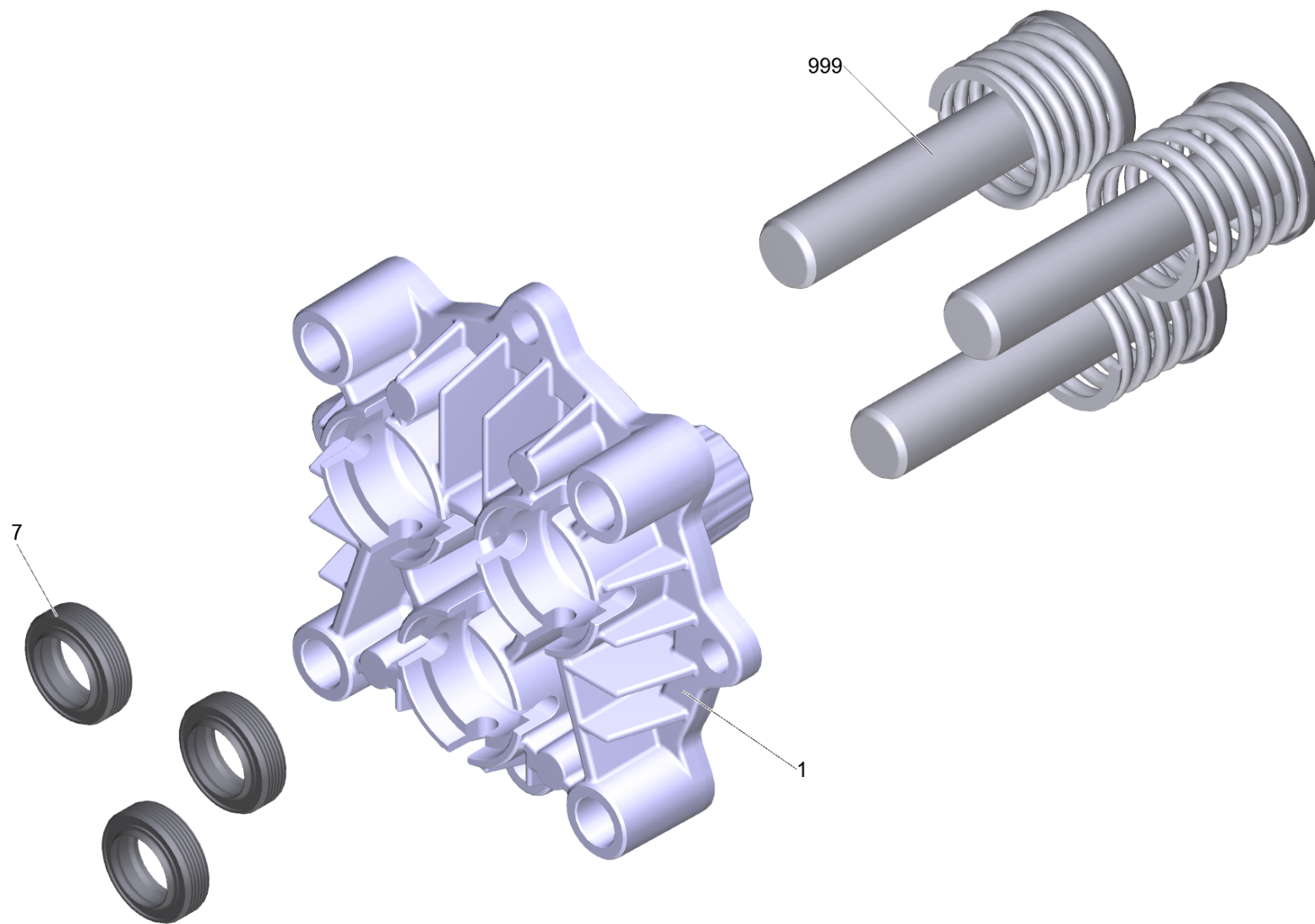
20 Unit HD 7/17 M St

POS	Article no.	Description	Quantity	Unit
10		Pump set HD 7/17 M *EU (D128)	1.000	ST
11	5.802-288.0	Mounting part	2.000	ST
20	5.789-078.3	High-pressure outlet for replacement 25° Tr22	1.000	ST
21	6.362-151.0	O-Ring d. 10 x 2 NBR 70	1.000	ST
22	7.306-090.0	Screw M6x16 -8.8-R3R (In6Rd)	2.000	ST
31	4.100-637.0	Set housing for replacement	1.000	ST
32	4.100-632.0	Set cover for replacement HD-M	1.000	ST
40	6.961-049.0	Screw	6.000	ST
51	7.306-077.0	Screw M5x16 -8.8-R2R (In6Rd)	4.000	ST
52	7.311-421.0	Hexagon nut M 5-04-A2E DIN 985	4.000	ST



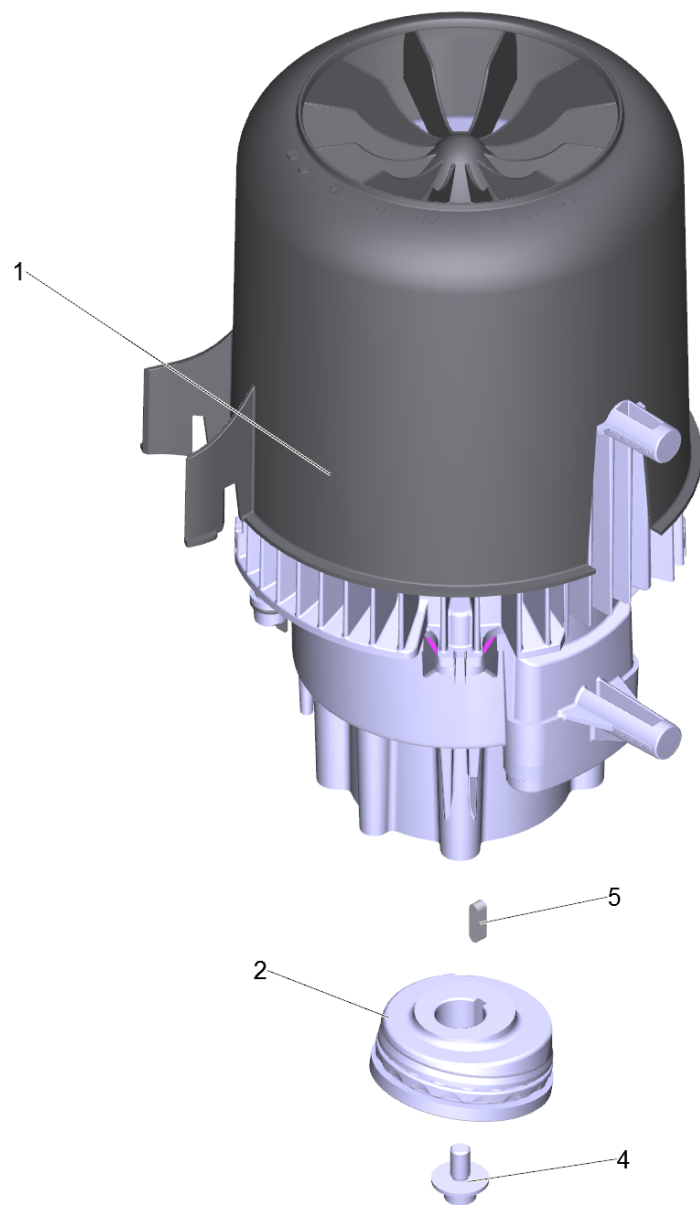
10 Pump set HD 7/17 M *EU (D128)

POS	Article no.	Description	Quantity	Unit
1		Thrust guidance	1.000	ST
3	4.100-643.0	Set motor complete HD 7/17 M *EU	1.000	ST
4		Cylinder head complete HD-M TK45 D14	1.000	ST
6	5.811-139.0	Electric box	1.000	ST
7	5.064-430.0	Cover electric box	1.000	ST
10	5.112-576.3	Bush	3.000	ST
16	5.263-003.0	Tensioning part	1.000	ST
20	5.767-005.0	Rubber buffer	4.000	ST
23	6.288-050.0	Engine oil 1L	1.000	ST
26	6.362-161.0	O-Ring seal 19,3 X 2,4	2.000	ST
30	5.070-176.0	Oil container	1.000	ST
31	5.064-454.0	Cover qusty grey	1.000	ST
32	6.389-610.0	Hose	205.000	M
33	5.443-029.0	Hose stem drain hose oil	1.000	ST
34	5.443-030.0	Blind plug drain hose oil	1.000	ST
35	5.132-187.0	Plug	1.000	ST
40	6.630-824.0	Safety switch E-T-A 1659 (15A)	2.000	ST
41	5.045-071.0	Slider E-T-A	1.000	ST
45	6.961-000.0	Micro switch	1.000	ST
48	7.306-242.0	Cylinder head screw M8x75-8.8-A2E ISO 4	4.000	ST
49	7.303-047.0	Screw M6x16 -St-R3R (In6Rd)	3.000	ST
51	6.632-173.0	Contactora 4,0KW/400V	1.000	ST
58	5.100-990.0	Selector shaft electric box 68mm	1.000	ST
60	6.641-027.0	Cable 1x1,5mm ² SW/BK	220.000	M
61	6.649-023.0	Receptacles for tabs 6,3-1,5	1.000	ST
62	6.641-027.0	Cable 1x1,5mm ² SW/BK	250.000	M
63	6.649-026.0	Receptacles for tabs 6,3-1,5	1.000	ST
68	5.363-761.0	Seal label	1.000	ST
71	6.303-125.0	Screw 5x20-Sonder In6Rd+Spitze	5.000	ST
72	7.303-086.0	Screw 5x30 -10.9-R2R (K-In6Rd)	1.000	ST
82	6.650-656.3	Cable with plug for replacement *EU	1.000	ST
900	2.883-069.0	Pump set HD-M	1.000	ST



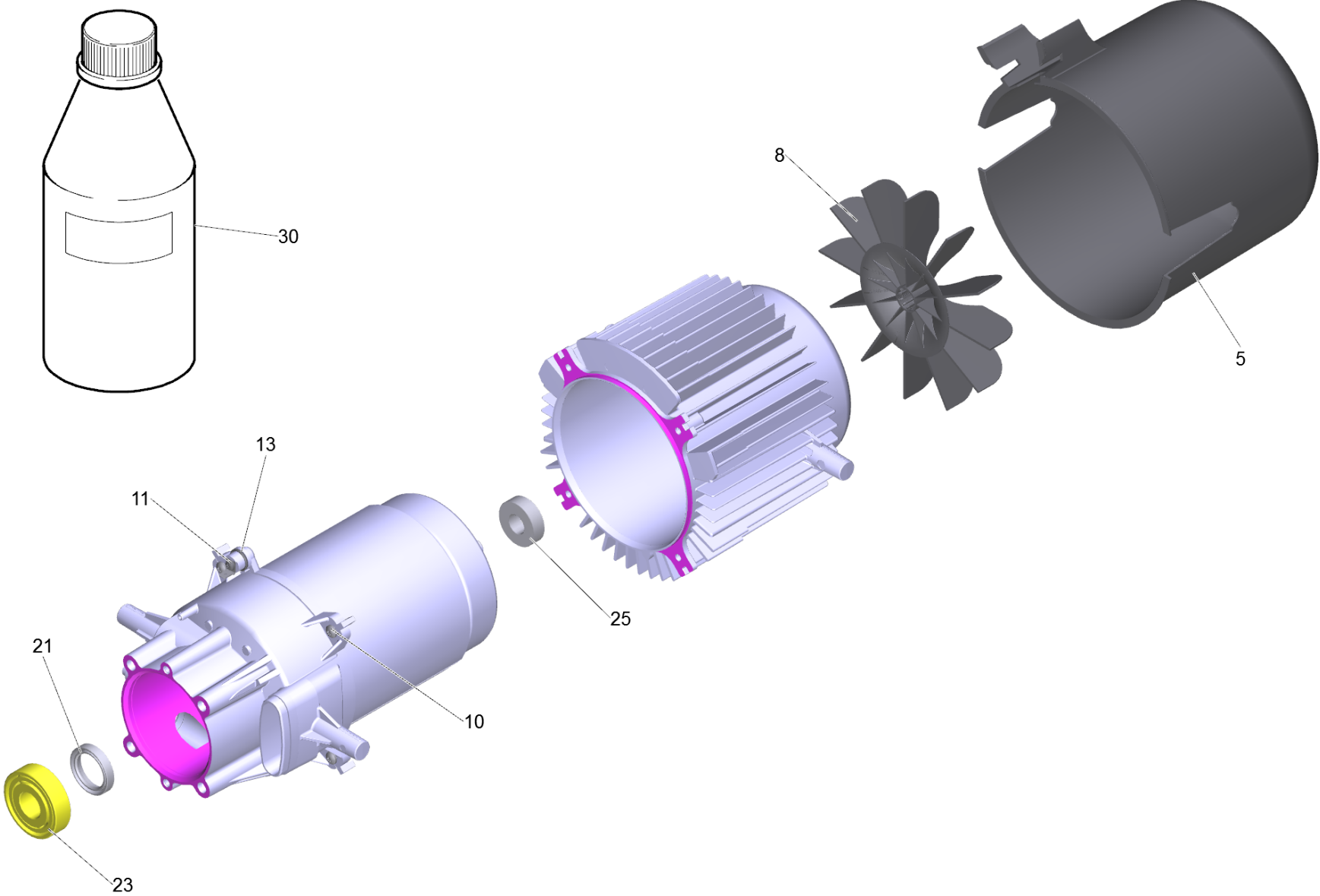
1 Thrust guidance

POS	Article no.	Description	Quantity	Unit	Foot note text
1	5.062-754.3	Thrust guidance	1.000	ST	
6	6.288-050.0	Engine oil 1L	1.000	ST	
7	6.365-340.0	Grooved ring 14X22X5/7	3.000	ST	
999	4.553-242.0	Piston complete	3.000	ST	Kolben blank



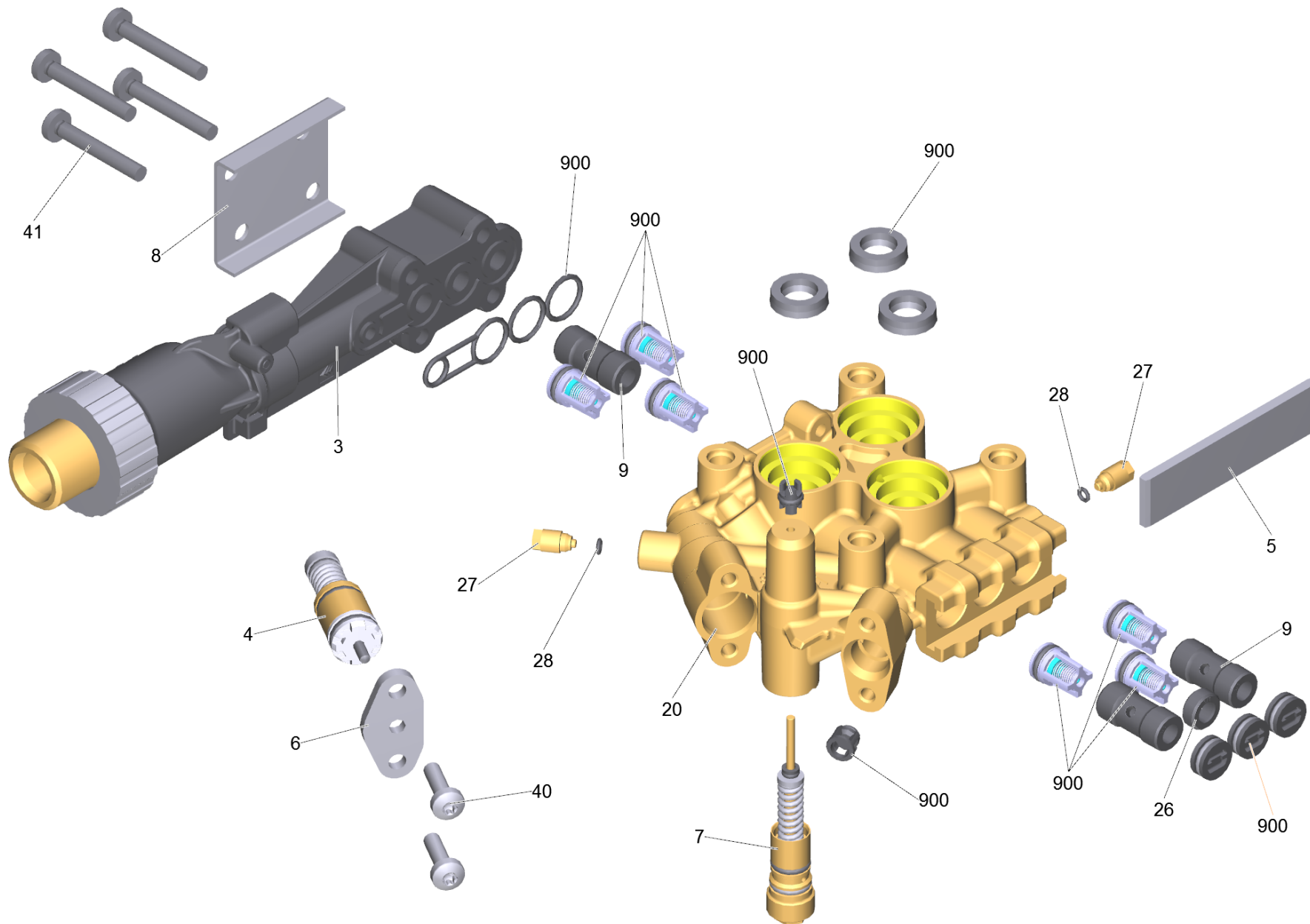
3 Set motor complete HD 7/17 M *EU (4.100-643.0)

POS	Article no.	Description	Quantity	Unit
1		Motor complete HD 7/17 M *EU (D128)	1.000	ST
2	4.120-213.0	Wobble plate	1.000	ST
4	9.086-169.0	Wobble plate screw M8x16	1.000	ST
5	7.318-003.0	Parallel key 5X 5X 18-C45K DIN 6885	1.000	ST



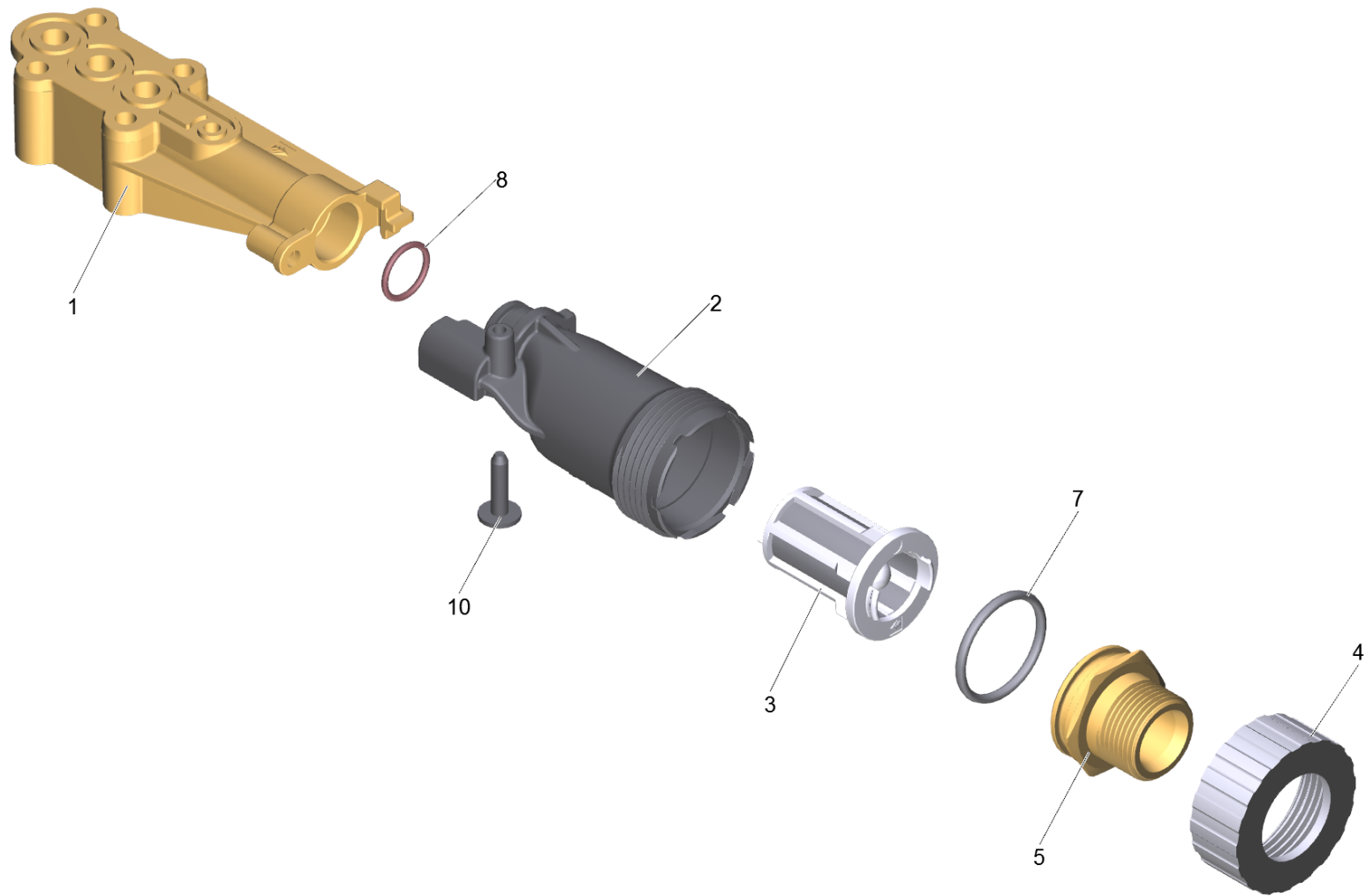
1 Motor complete HD 7/17 M *EU (D128)

POS	Article no.	Description	Quantity	Unit
5	5.692-006.0	Air circulation D128	1.000	ST
8	5.600-105.0	Blower wheel	1.000	ST
10	6.303-320.0	Screw M 5x 20-St-R2R	4.000	ST
11	7.303-031.0	Screw M4x10 -St-P2R (In6Rd)	1.000	ST
13	6.362-381.0	O-Ring seal 13x2 - NBR 70	1.000	ST
21	7.367-024.0	Radial shaft seal ring A26x37x7 -FKM DIN	1.000	ST
23	6.401-427.0	Angular contact ball bearing	1.000	ST
25	7.401-128.0	Ball bearing 6202-2RS -Wälzl.St DIN 625	1.000	ST
30	6.288-050.0	Engine oil 1L	1.000	ST



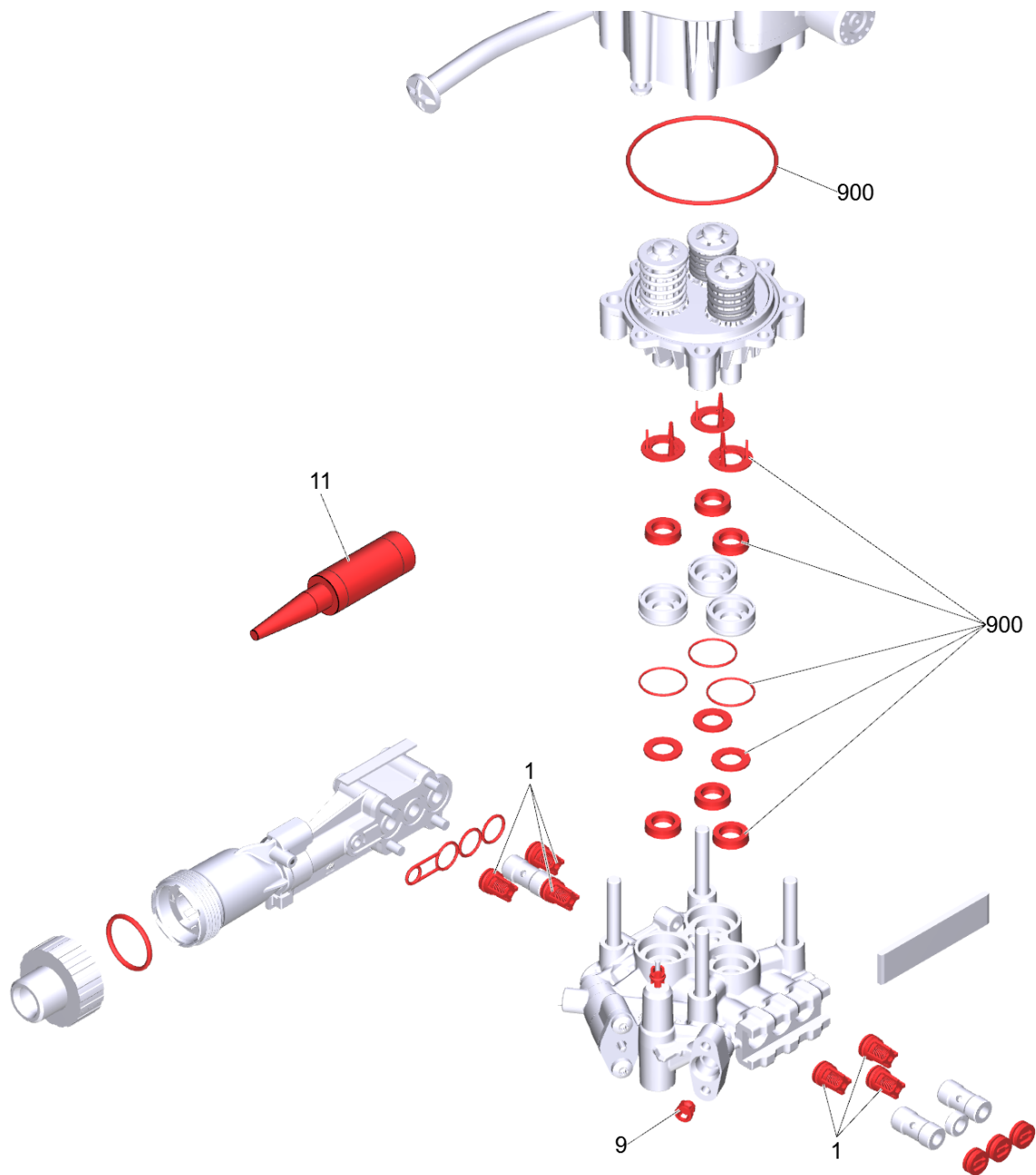
4 Cylinder head complete HD-M TK45 D14

POS	Article no.	Description	Quantity	Unit
3		Water intake complete	1.000	ST
4	4.580-792.3	Excess-current complete for replacement	1.000	ST
5	5.003-062.0	Plate	1.000	ST
6	5.093-067.0	Cover plate	1.000	ST
7	4.580-104.3	Control piston complete D14	1.000	ST
8	5.005-314.0	Plate suction cover	1.000	ST
9	5.110-079.0	Spacer brass D14,5 x 30	3.000	ST
20	5.550-027.3	Cylinder head complete for replacement	1.000	ST
26	5.110-050.0	Spacer D14,5 x 6	1.000	ST
27	5.443-024.3	Plug for replacement	2.000	ST
28	6.362-984.0	O-Ring d. 3 x 1,5 NBR 80	2.000	ST
40	7.306-090.0	Screw M6x16 -8.8-R3R (In6Rd)	2.000	ST
41	7.306-129.0	Screw M6x40 -8.8-R3R (In6Rd)	4.000	ST
900		Part at pump set	1.000	ST



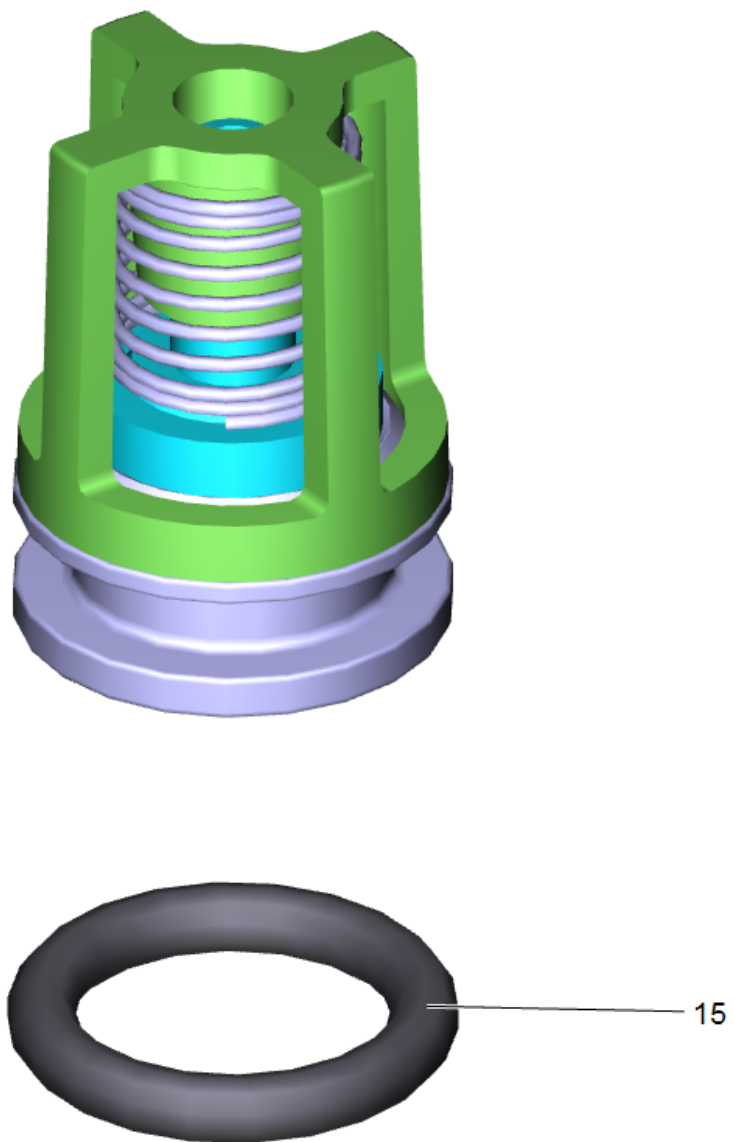
3 Water intake complete

POS	Article no.	Description	Quantity	Unit
1	5.064-230.0	Suction cover	1.000	ST
2	5.045-049.0	Water intake cranked	1.000	ST
3	5.731-059.0	Filter cartridge with cone (mesh 100)	1.000	ST
4	5.064-465.0	Nut water intake	1.000	ST
5	5.064-517.0	Connection piece water intake G 3/4 A	1.000	ST
7	6.363-437.0	O-Ring seal 30x3	1.000	ST
8	6.362-481.0	O-Ring seal 14,0 x 2,0 NBR 80	1.000	ST
10	6.303-125.0	Screw 5x20-Sonder In6Rd+Spitze	1.000	ST



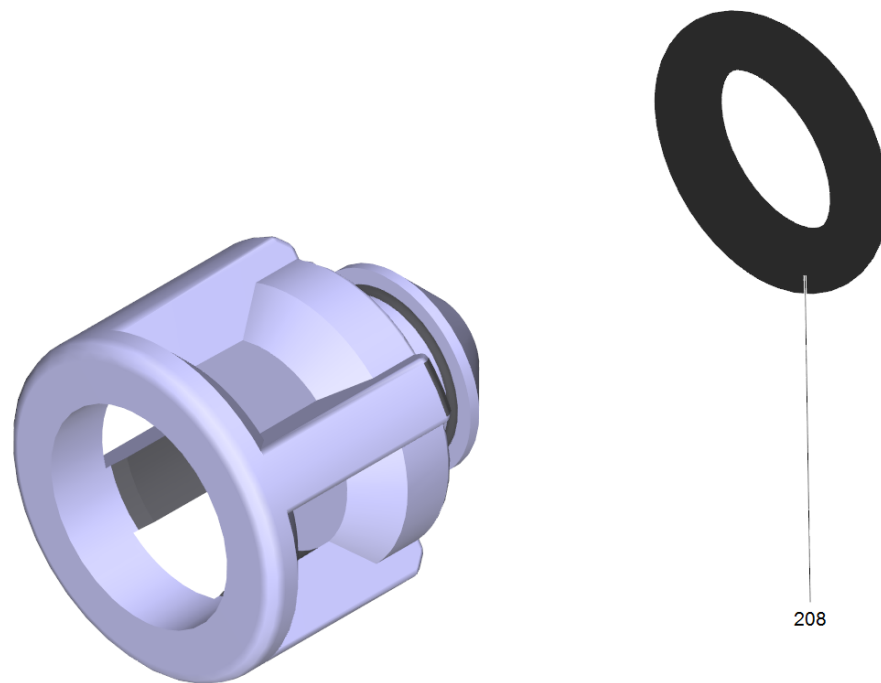
900 Pump set HD-M (2.883-069.0)

POS	Article no.	Description	Quantity	Unit
1	2.884-916.0	Valve (3 Stück)	2.000	ST
9	4.584-022.0	Valve pin complete	1.000	ST
11	6.288-072.0	Silicon grease	1.000	ST
900	4.100-771.0	Set of gaskets	1.000	ST



1 Valve (3 Stück) (2.884-916.0)

POS	Article no.	Description	Quantity	Unit
15	6.362-077.0	O-Ring seal 10 x 2,2 NBR 70	1.000	ST



9 Valve pin complete (4.584-022.0)

POS	Article no.	Description	Quantity	Unit
208	6.363-613.0	O-Ring seal 4 x 2 -NBR90	1.000	ST