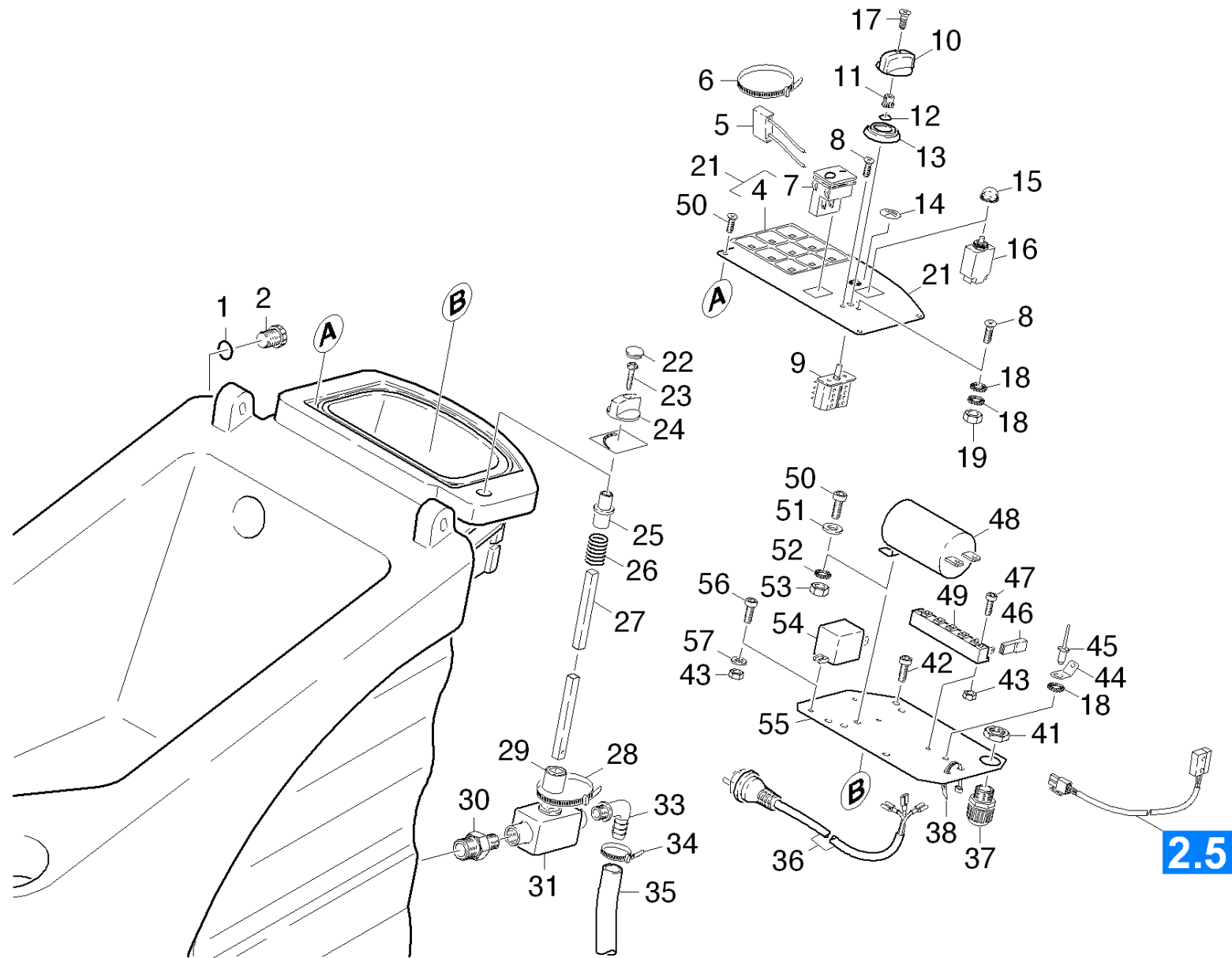


## 22 Control panel BR 530

Overview technical documents/Professional/Floor cleaner/Walk behind/BR 530 O.SAUGB. \*EU (1.127-321.0)/Spare parts list BR 530 Netz/20 Appliance individual parts/22 Control panel BR 530



**22 Control panel BR 530**

Overview technical documents/Professional/Floor cleaner/Walk behind/BR 530 O.SAUGB. \*EU (1.127-321.0)/Spare parts list BR 530 Netz/20 Appliance individual parts/22 Control panel BR 530

Rez.daļas/nodil.pakļ.daļas	Poz.	Materiāla Nr.	Nosaukums	Daudzums	Pārdoš. vienība	no sēr. Nr..	līdz sēr. Nr.
X-X	1	6.641-654.0	Flat gasket 13X20	1.000	ST	0000000000	0000000000
X-X	2	6.382-003.0	Cap closure	1.000	ST	0000000000	0000000000
	4		Stockpiling discontinued	1.000	ST	0000000000	0000000000
	5	6.661-122.0	Capacitor	1.000	ST	0000000000	0000000000
	6	6.641-458.0	Cable tape	1.000	ST	0000000000	0000000000
X-X	7	6.630-385.0	Switch	1.000	ST	0000000000	0000000000
X-X	8	7.306-206.0	Screw M4x10 -A2-70 ISO 14583	5.000	ST	0000000000	0000000000
X-X	9	6.631-872.0	Switch	1.000	ST	0000000000	0000000000
X	10	5.321-415.0	Handhold	1.000	ST	0000000000	0000000000
X	11	6.631-768.0	Roktura spīle	1.000	ST	0000000000	0000000000
X	12	6.362-581.0	O-Ring seal 4,47x1,78	1.000	ST	0000000000	0000000000
X	13	5.031-215.0	Screen	1.000	ST	0000000000	0000000000
X	14	6.643-145.0	Label earthing	2.000	ST	0000000000	0000000000
X-X	15	6.630-082.0	Protecting cap	1.000	ST	0000000000	0000000000
X-X	16	6.630-081.0	Motora drošinātājs 7A	1.000	ST	0000000000	0000000000
X-X	17	7.306-050.0	Screw M2,5x10 -8,8-R2R (In6Rd)	1.000	ST	0000000000	0000000000
	18	7.312-163.0	Toothed lock washer A4,3-FST-PH DIN 679	4.000	ST	0000000000	0000000000
	19	7.311-001.0	Hexagon nut M4 -8-A2E ISO 4032	3.000	ST	0000000000	0000000000
	21	4.841-119.0	Control panel	1.000	ST	0000000000	0000000000
X	22	6.368-076.0	Ornamental hub cap D10/D12	1.000	ST	0000000000	0000000000
	23	7.303-065.0	sheet metal screw	1.000	ST	0000000000	0000000000
X-X	24	5.321-509.0	Handhold	1.000	ST	0000000000	0000000000
X-X	25	5.470-034.0	Coupler	1.000	ST	0000000000	0000000000
	26	5.332-290.0	Helical spring	1.000	ST	0000000000	0000000000
X-X	27	5.107-195.0	Bar	1.000	ST	0000000000	0000000000

## 22 Control panel BR 530

Overview technical documents/Professional/Floor cleaner/Walk behind/BR 530 O.SAUGB. \*EU (1.127-321.0)/Spare parts list BR 530 Netz/20 Appliance individual parts/22 Control panel BR 530

Rez.daļas/nodil.pakļ.daļas	Poz.	Materiāla Nr.	Nosaukums	Daudzums	Pārdoš. vienība	no sēr. Nr..	līdz sēr. Nr.
X-X	28	6.641-464.0	Cable tie	6.000	ST	0000000000	0000000000
X-X	29	5.470-033.0	Savienojums	1.000	ST	0000000000	0000000000
X	30	5.409-306.0	Double nipple	1.000	ST	0000000000	0000000000
X-X	31	6.412-289.0	Lodveida krāns	1.000	ST	0000000000	0000000000
X-X	33	6.390-002.0	Angle bushing	1.000	ST	0000000000	0000000000
X-X	34	6.388-545.0	Šļūtenes skava	1.000	ST	0000000000	0000000000
X-X	35	6.388-248.0	Hose DN12,5	2.000	M	0000000000	0000000000
	36	6.648-517.0	Cable with plug *RA	1.000	ST	0000000000	0000000000
Pozīcijas teksts: / 1.127-809.0							
	36	6.648-626.0	Cable with plug *UL	1.000	ST	0000000000	0000000000
Pozīcijas teksts: / 1.127-684.0							
	36	6.648-507.0	Cable with plug *GB	1.000	ST	0000000000	0000000000
Pozīcijas teksts: / 1.127-805.0							
	36	6.648-439.0	Cable with plug	1.000	ST	0000000000	0000000000
Pozīcijas teksts: / 1.127-141.0 / -241.0 / -341.0/ -441.0							
	37	6.641-355.0	Cable gland PG9	1.000	ST	0000000000	0000000000
X-X	38	6.641-463.0	Cable tape	9.000	ST	0000000000	0000000000
	40	6.642-003.0	Insulating hose 4	1.000	M	0000000000	0000000000
	41	6.641-366.0	Locknut PG 9	1.000	ST	0000000000	0000000000
X-X	42	7.303-107.0	Skrūve 5x16 -10.9-P2R (K-In6Rd)	3.000	ST	0000000000	0000000000
	43	7.311-000.0	Hexagon nut M3 -8-A2E ISO 4032	2.000	ST	0000000000	0000000000
	44	6.641-239.0	Tab	2.000	ST	0000000000	0000000000
	45	7.315-005.0	Blind rivet 4,0x 6-A2/A2 ISO15983	1.000	ST	0000000000	0000000000
	46	6.647-748.0	Insulation sheath	5.000	ST	0000000000	0000000000
	47	7.306-204.0	Screw M 3X 10-A2-70 (IN6RD)	2.000	ST	0000000000	0000000000

## 22 Control panel BR 530

Overview technical documents/Professional/Floor cleaner/Walk behind/BR 530 O.SAUGB. \*EU (1.127-321.0)/Spare parts list BR 530 Netz/20 Appliance individual parts/22 Control panel BR 530

Rez.daļas/nodil.pakļ.daļas	Poz.	Materiāla Nr.	Nosaukums	Daudzums	Pārdoš. vienība	no sēr. Nr..	līdz sēr. Nr.
	48	6.661-215.0	Capacitor	1.000	ST	0000000000	0000000000
Pozīcijas teksts: / 1.127-141.0 / -241.0 / -341.0/ -441.0							
X-X	48	6.661-290.0	Capacitor 30 mF	1.000	ST	0000000000	0000000000
	49	6.643-556.0	Terminal clamp	1.000	ST	0000000000	0000000000
X	50	7.306-071.0	screw	5.000	ST	0000000000	0000000000
X-X	51	7.312-002.0	Washer 5-200HV-A3E ISO 7090	1.000	ST	0000000000	0000000000
	52	7.312-172.0	Toothed lock washer A5,3-FSt-A3E DIN 67	1.000	ST	0000000000	0000000000
X-X	53	7.311-002.0	hexagon nut	1.000	ST	0000000000	0000000000
X-X	54	6.633-420.0	Relejs	1.000	ST	0000000000	0000000000
Pozīcijas teksts: / 1.127-141.0 / -241.0 / -341.0/ -441.0							
	54	6.633-449.0	Relay 120V	1.000	ST	0000000000	0000000000
Pozīcijas teksts: / 1.127-684.0							
	55	5.007-204.0	Baffle plate	1.000	ST	0000000000	0000000000
X-X	56	7.306-203.0	Screw M 3X 8-A2-70 (IN6RD)	2.000	ST	0000000000	0000000000
	57	7.312-043.0	Washer 3-A2 ISO 7089	2.000	ST	0000000000	0000000000