

Spare parts list

(1.645-116.0) SDP 9500 *EU-II

Table of contents

SDP 9500 *EU-II (1.645-116.0)	3
Spare parts list SDP 9500 (5.970-637.0)	4
10 Individual parts	5
11 Individual parts	6
4 Screw with O-Ring seal f.Ersatz (4.645-061.0)	8
12 Individual parts	10
4 Screw with O-Ring seal f.Ersatz (4.645-061.0)	12

SDP 9500 *EU-II (1.645-116.0)

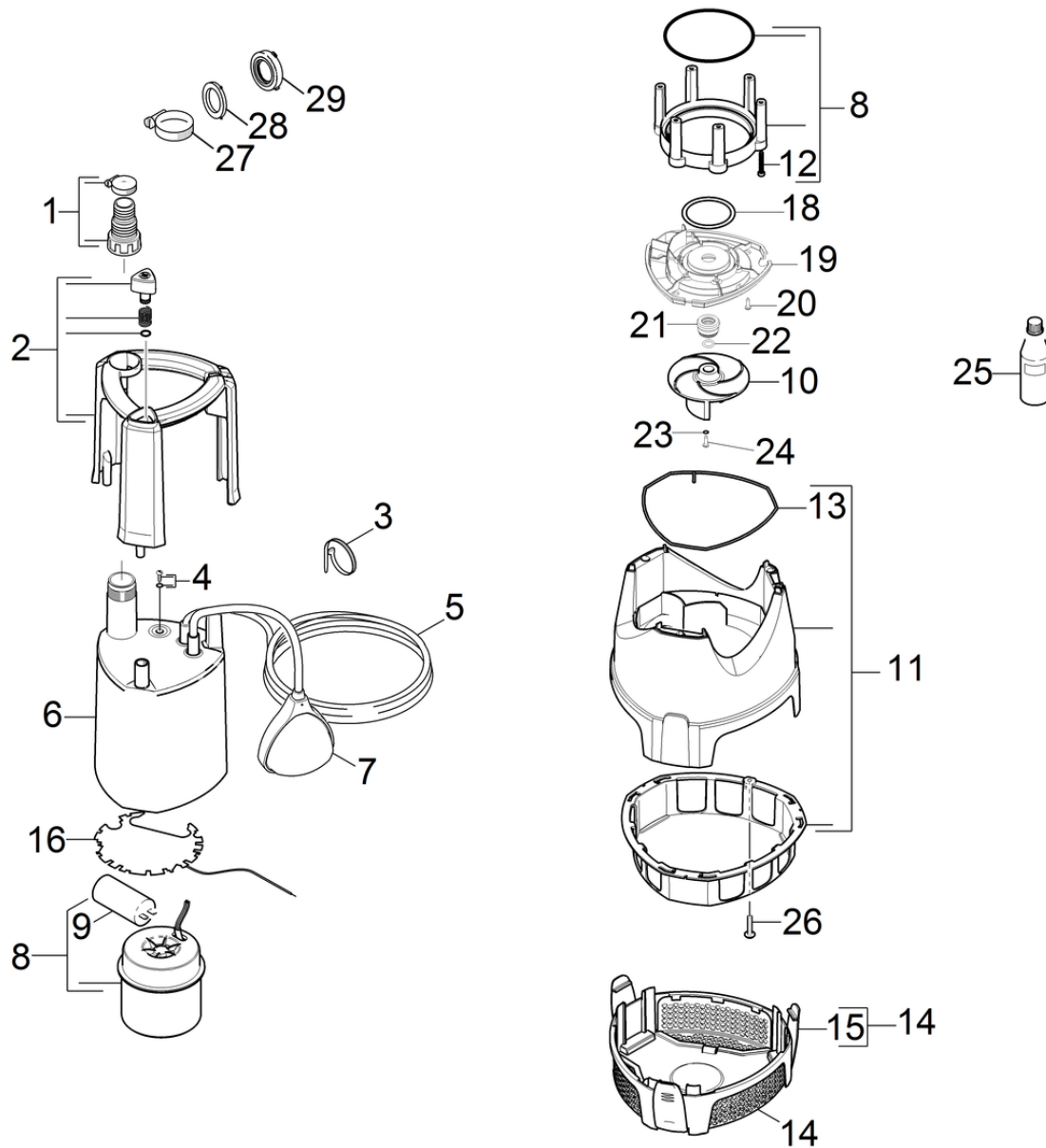
POS	Article no.	Description	Quantity	Unit
0	5.970-637.0	Spare parts list SDP 9500	1.000	ST

Spare parts list SDP 9500 (5.970-637.0)

POS	Description	Quantity	Unit
10	Individual parts	1.000	ST

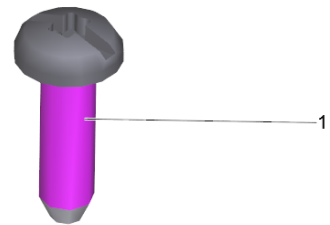
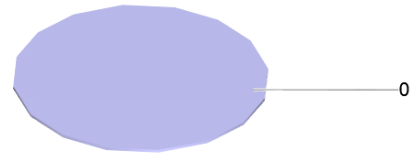
10 Individual parts

POS	Description	Quantity	Unit	Serial number from	Serial number to
12	Individual parts	1.000	ST	300001	
11	Individual parts	1.000	ST		300000



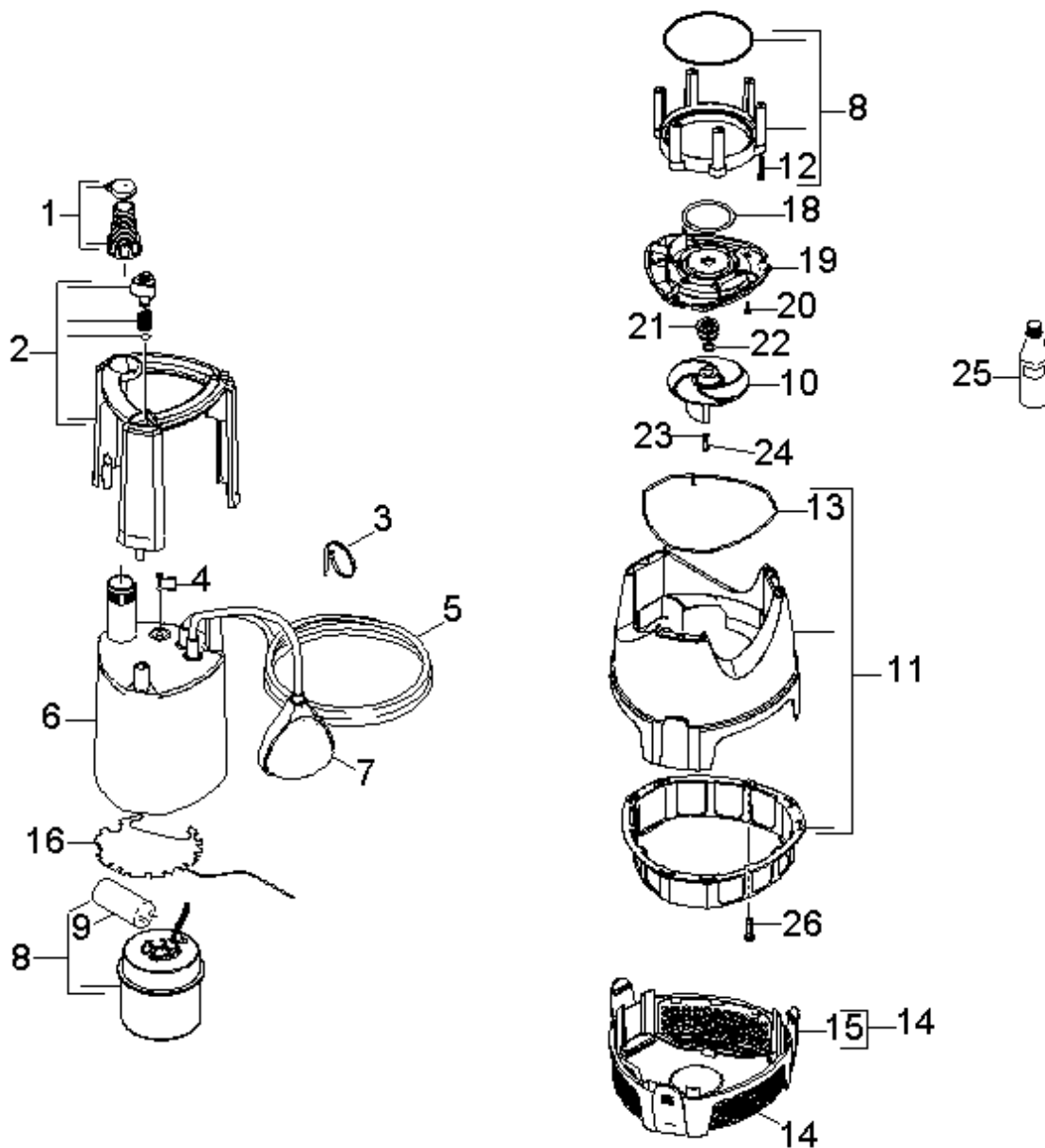
11 Individual parts

POS	Article no.	Description	Quantity	Unit	Remark
5	4.645-240.0	Cable complete for replacement *AU	1.000	ST	/*AU
5	4.645-082.0	Cable with fixing CH-f.Ersatz	1.000	ST	/*CH
5	4.645-059.0	Cable with fixing f.Ersatz	1.000	ST	/*EU
5	4.645-083.0	Cable with fixing GB-f.Ersatz	1.000	ST	/*GB
9	4.645-352.0	Capacitor complete replacement GP40 P2	1.000	ST	
11	4.645-056.0	Chamber with covering cap fuer Ersatz	1.000	ST	
21	6.645-311.0	Check valve / non return valve SXP G1	1.000	ST	
15	5.645-019.0	Clamp /filter clamp	3.000	ST	
1	6.997-359.0	Connection for suction hose 3/4" + 1"	1.000	ST	
7	4.645-060.0	Float regulator set for replacement	1.000	ST	
2	4.645-057.0	Handhold complete for replacement	1.000	ST	
20	6.389-507.0	Hose clip 20- 32	1.000	ST	
6	4.645-065.0	Housing neutrally for replacement	1.000	ST	
10	5.645-013.0	Impeller impeller dirt	1.000	ST	
8	4.645-195.0	Motor complete for replacement (300W)	1.000	ST	
19	6.645-543.0	Oval head screw 3,5x12-10.9-R2R	1.000	ST	
16	4.645-024.0	Plate complete / sheet metal earth w. wi	1.000	ST	
14	6.997-351.0	Prefilter immersion pumps Good	1.000	ST	
12	6.303-496.0	Screw 3,5x30	6.000	ST	
18	9.086-207.0	Screw M5x10 A2	1.000	ST	
4	4.645-061.0	Screw with O-Ring seal f.Ersatz	1.000	ST	
22	6.645-160.0	Seal / flat gasket small	1.000	ST	
13	5.645-591.0	Seal SxP good	1.000	ST	
3	6.375-479.0	Strap /Velcro-Strap	1.000	ST	
17	9.086-023.0	Toothed lock washer Ø5 A2	1.000	ST	



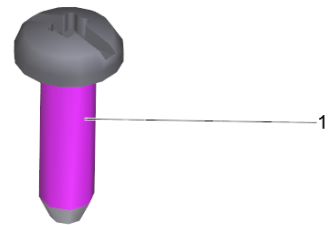
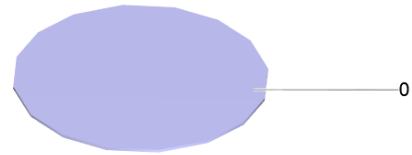
4 Screw with O-Ring seal f.Ersatz (4.645-061.0)

POS	Article no.	Description	Quantity	Unit
0		Label / label	1.000	ST
2	7.362-502.0	O-Ring seal 2,8x1,6-NBR 70 DIN 3770	1.000	ST
1	6.645-543.0	Oval head screw 3,5x12-10.9-R2R	1.000	ST



12 Individual parts

POS	Article no.	Description	Quantity	Unit	Remark
5	4.645-240.0	Cable complete for replacement *AU	1.000	ST	/*AU
5	4.645-082.0	Cable with fixing CH-f.Ersatz	1.000	ST	/*CH
5	4.645-059.0	Cable with fixing f.Ersatz	1.000	ST	/*EU
5	4.645-083.0	Cable with fixing GB-f.Ersatz	1.000	ST	/*GB
9	6.645-450.0	Capacitor 12µF P2	1.000	ST	
11	4.645-314.0	Chamber for replacement /dirt	1.000	ST	
29	6.645-311.0	Check valve / non return valve SXP G1	1.000	ST	
15	5.645-019.0	Clamp /filter clamp	3.000	ST	
1	6.997-359.0	Connection for suction hose 3/4" + 1"	1.000	ST	
21	6.645-421.0	Floating ring seal	1.000	ST	
7	4.645-060.0	Float regulator set for replacement	1.000	ST	
2	4.645-057.0	Handhold complete for replacement	1.000	ST	
27	6.389-507.0	Hose clip 20- 32	1.000	ST	
6	4.645-065.0	Housing neutrally for replacement	1.000	ST	
10	5.645-416.0	Impeller /impeller good dirt	1.000	ST	
19	5.645-420.0	Intermediate layer /separating plate	1.000	ST	
8	4.645-310.0	Motor for replacement	1.000	ST	
22	6.362-151.0	O-Ring d. 10 x 2 NBR 70	1.000	ST	
18	9.080-479.0	O-Ring seal 52x4 NBR 50	1.000	ST	
25	6.295-578.0	Oil 20 ml	1.000	ST	
26	6.645-543.0	Oval head screw 3,5x12-10.9-R2R	1.000	ST	
16	4.645-030.0	Plate complete / sheet metal earth w. wi	1.000	ST	
14	6.997-351.0	Prefilter immersion pumps Good	1.000	ST	
12	6.303-496.0	Screw 3,5x30	6.000	ST	
20	9.086-217.0	Screw 4,2X13 INOX	6.000	ST	
24	9.086-207.0	Screw M5x10 A2	1.000	ST	
4	4.645-061.0	Screw with O-Ring seal f.Ersatz	1.000	ST	
28	6.645-160.0	Seal / flat gasket small	1.000	ST	
13	5.645-591.0	Seal SxP good	1.000	ST	
3	6.375-479.0	Strap /Velcro-Strap	1.000	ST	
23	9.086-023.0	Toothed lock washer Ø5 A2	1.000	ST	



4 Screw with O-Ring seal f.Ersatz (4.645-061.0)

POS	Article no.	Description	Quantity	Unit
0		Label / label	1.000	ST
2	7.362-502.0	O-Ring seal 2,8x1,6-NBR 70 DIN 3770	1.000	ST
1	6.645-543.0	Oval head screw 3,5x12-10.9-R2R	1.000	ST