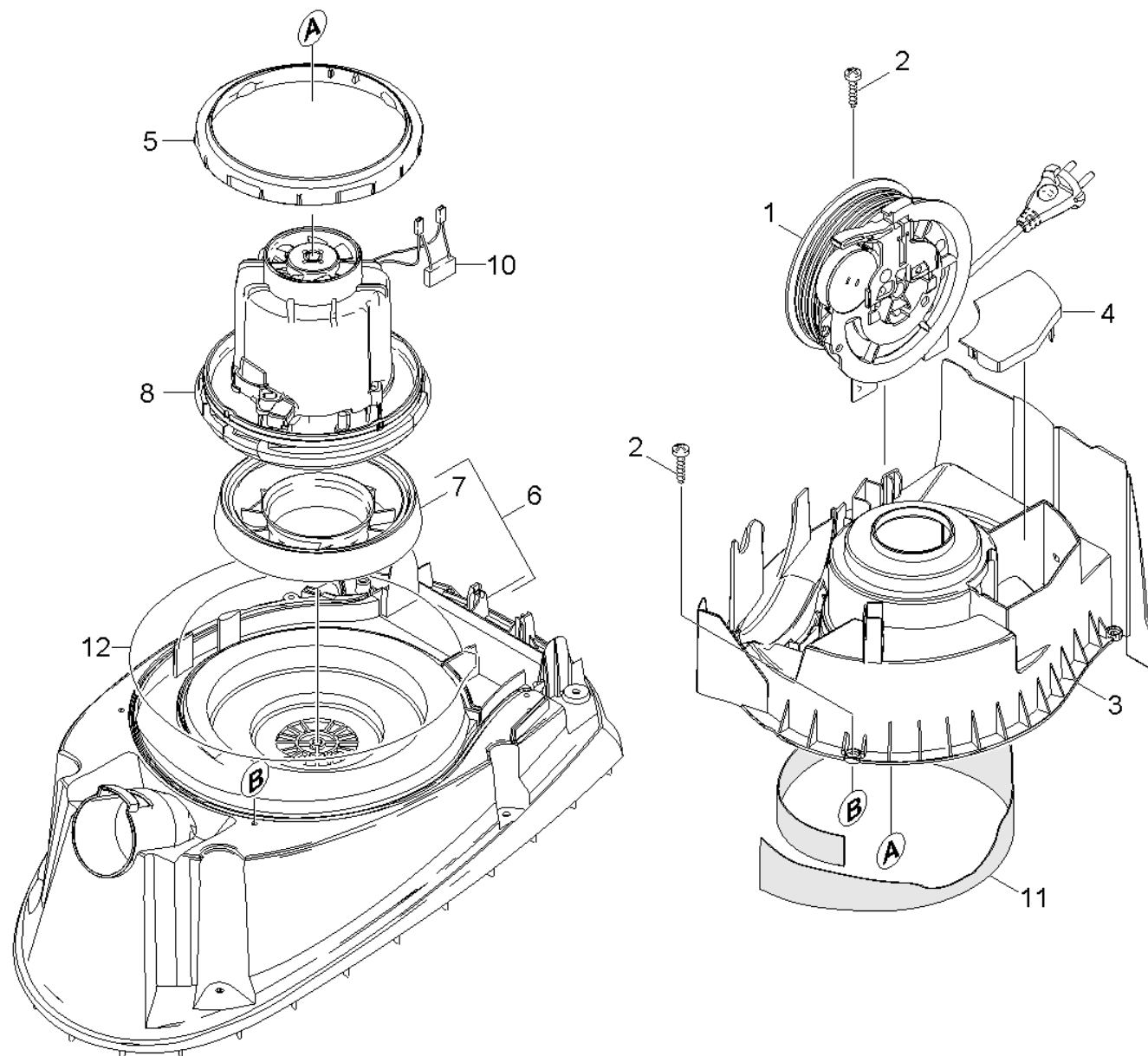


## 20 Motor

Overview technical documents/Home & Garden/Vacuum cleaner/Dry vacuum cleaner/DS 5600 (1.195-130.0)/Spare parts list DS 5600/20 Motor



## 20 Motor

Overview technical documents/Home & Garden/Vacuum cleaner/Dry vacuum cleaner/DS 5600 (1.195-130.0)/Spare parts list DS 5600/20 Motor

Poz.	Materiāla Nr.	Nosaukums	Daudzums	Pārdoš. vienība	Daž. informācija
1	6.649-756.0	Cable automatic BR/MX	1.000	ST	*BR/*MX
1	6.649-684.0	Cable automatic *CN	1.000	ST	*CN
1	6.649-495.0	Kabeļu automātika EU	1.000	ST	*EU/*FR/*RU/*KAP
2	7.303-096.0	Skrūve 4x22 -ST-10.9-R2R (IN6RD)	4.000	ST	
3	4.195-080.0	Covering cap motor complete	1.000	ST	
4	5.195-190.0	Covering cap cooling air / cover cooling	1.000	ST	
5	5.195-188.0	Seal working air	1.000	ST	
6	4.195-183.0	Motor bracket white complete f.Ersatz	1.000	ST	
Pozīcijas teksts: 1.195-137.0 / -138.0 / -139.0					
6	4.195-151.0	Motor bracket complete only for replacem	1.000	ST	
Pozīcijas teksts: 1.195-130.0 / -131.0 / -132.0 / -133.0 / -134.0 / -135.0 / -136.0					
7	5.195-290.0	seal motor	1.000	ST	
8	6.490-235.0	Vakuuma turbīna, varš 1200W	1.000	ST	*EU/*FR/*CN/*RU/*UK/*KAP
8	6.490-259.0	Vac motor copper 1200W, 120V	1.000	ST	*BR/*MX
10	6.649-512.0	Kabelis ar kondensatoru - DS 5600	1.000	ST	*EU/*FR/*CN/*RU/*UK/*KAP
10	6.649-755.0	Cable with capacitor 100/120V	1.000	ST	*BR/*MX
11	5.195-197.0	Insulating mat	1.000	ST	
12	6.273-070.0	Seal string cellular rubber 4	1.000	M	