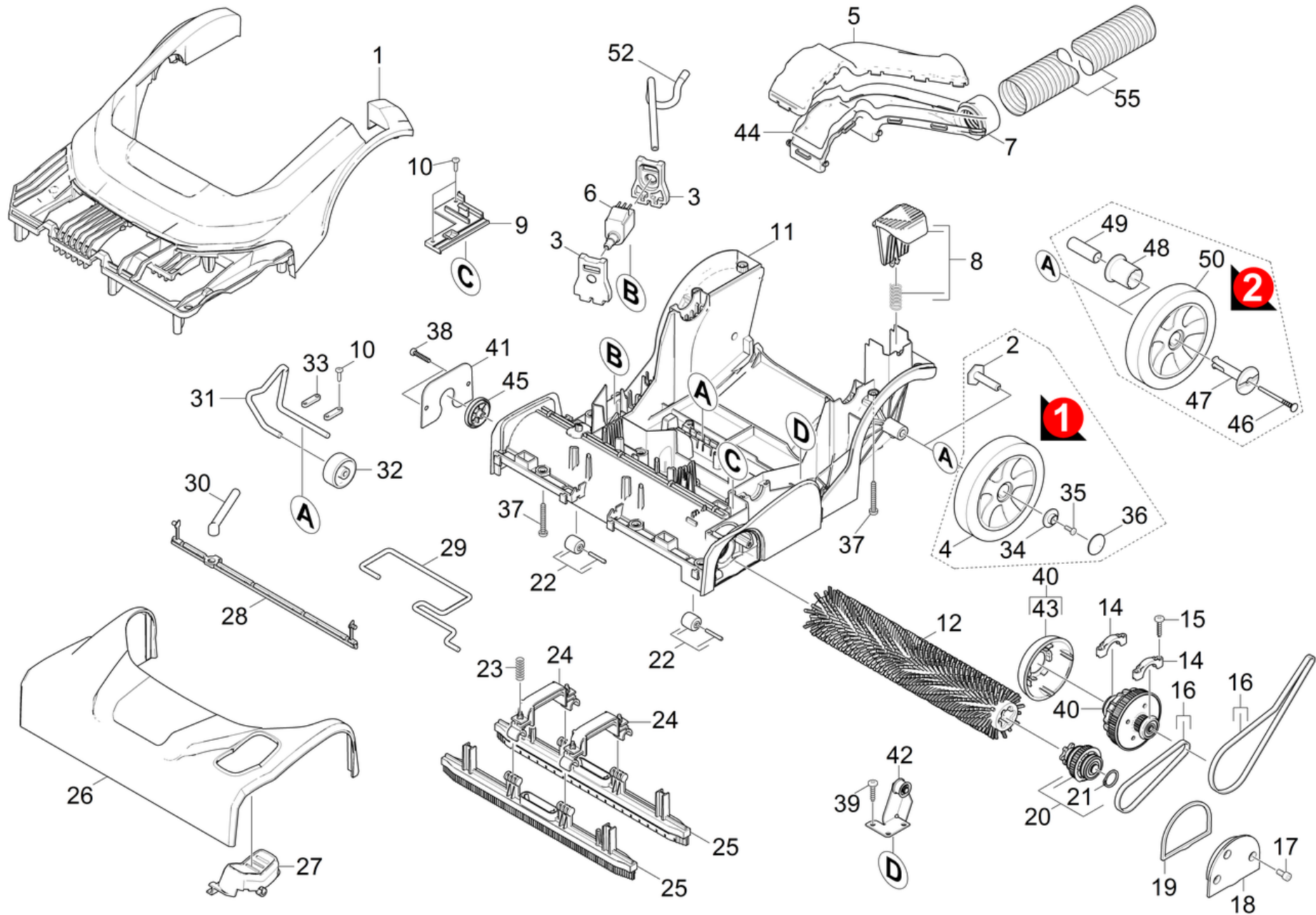


40 Brush-head

Professional \ Floor cleaner \ Compact \ BR 30/4 *EU \ Spare parts list BR 30/4 C \ Brush-head



40 Brush-head

Professional \ Floor cleaner \ Compact \ BR 30/4 *EU \ Spare parts list BR 30/4 C \ Brush-head



POS	Article no.	Description	Quantity	Unit	Remark	Foot note text
1	5.033-755.0	Covering cap brush-head	1	PC		GREY
1	7.777-999.0	Stockpiling discontinued	1	PC		YELLOW
2	5.100-590.0	Wheel stud	2	PC		VERSION 1
3	5.363-694.0	rubber pump	2	PC		
4	5.515-322.0	Wheel D121	2	PC		VERSION 1
5	5.033-258.0	Suction channel top part	1	PC		
6	6.473-522.0	Pump	1	PC		
	Item text1: /1.783-200.0 / -205.0 / -207.0 / -211.0					
	Item text2: / -213.0					
6	6.473-535.0	Pump	1	PC		
	Item text1: /1.783-202.0 / -204.0					
6	6.473-536.0	Pump *JP 50 Hz	1	PC		
	Item text1: /1.783-203.0					
7	5.033-207.0	Suction channel brush-head	1	PC		
8	4.481-000.0	Foot pedal complete only for replacement	1	PC		BLACK
8	4.481-291.0	Pedal complete only for replacement	1	PC		YELLOW
9	5.033-238.0	Covering cap plate switch	1	PC		
10	7.303-026.0	Screw 4x16 -A2-70 (In6Rd)	6	PC		
11	5.033-200.0	Housing brush-head	1	PC		
12	2.642-661.0	Brush roll orange accessories 300 mm	1	PC		
12	4.762-005.0	Brush roll complete middle rot 300 mm	1	PC		
12	4.762-452.0	Brush roll complete white 300 mm	1	PC		
12	4.762-453.0	Roll micro-fibre complete	1	PC		
14	5.033-222.0	Coupler clamp block	2	PC		
15	7.303-096.0	Screw 4x22-ST-10.9-R2R (IN6RD)	4	PC		
16	4.348-450.0	Toothed belt set	1	PC		
17	7.303-212.0	Screw 5x20 -A2-70 (In6Rd)	3	PC		
18	5.033-223.0	cover retainer transmission	1	PC		
19	5.363-713.0	Seal Lagerdeckel	1	PC		
20	3.763-098.0	Assembly group brushes drive	1	PC		
21	7.343-001.0	Locking ring 10x1-Rf-St DIN 471	1	PC		
22	4.880-058.0	Roller set	2	PC		

40 Brush-head

Professional \ Floor cleaner \ Compact \ BR 30/4 *EU \ Spare parts list BR 30/4 C \ Brush-head



POS	Article no.	Description	Quantity	Unit	Remark	Foot note text
23	5.332-952.0	Spring	4	PC		
24	5.033-224.0	Web suction bar	2	PC		
25	4.777-008.0	Suction bar complete replacement Silikon	2	PC		
25	4.777-324.0	Suction bar complete oil resistant 300	2	PC		
26	4.033-202.0	Bumper replacement	1	PC		
27	5.033-225.0	Pedal suction bar	1	PC		
28	5.190-255.0	Strip water distributor	1	PC		
29	5.034-803.0	Retaining bracket suction bar	1	PC		
30	5.363-698.0	HOSE NOZZLE	1	PC		
31	5.034-826.0	Retaining bracket height adjustment	1	PC		
32	5.515-069.0	Wheel	1	PC		
33	6.647-513.0	Strain relief	2	ZST		
34	5.100-591.0	Washer wheel	2	PC		VERSION 1
35	7.306-181.0	Screw M 5x 12-A2-70 (In6Rd)	2	PC		VERSION 1
36	6.343-224.0	Quick-fastener	2	PC		VERSION 1
37	7.303-268.0	Screw 5x30 -A2-70 (In6Rd)	12	PC		
38	7.303-269.0	Countersunk screw 4x20 -A2-70 (In6Rd)	2	PC		
39	7.303-104.0	Screw 5x16 -A2-70 (IN6RD)	2	PC		
40	4.470-043.0	Coupler complete	1	PC		
41	5.009-415.0	Retaining plate brush	1	PC		
42	4.470-040.0	Pressure roller complete	1	PC		
43	5.033-269.0	Cap coupler	1	PC		
44	6.273-037.0	Seal string cellular rubber 3	1	m		TO ORDER AS CUT GOODS
45	5.033-230.0	Thread deflector	1	PC		
46	5.033-279.0	Pin snap-fit wheel	2	PC		VERSION 2
47	5.033-208.0	Snap-fit wheel	2	PC		VERSION 2
48	5.033-264.0	Plain bearing with collar	2	PC		VERSION 2
49	5.112-863.0	Bush	2	PC		VERSION 2
50	5.515-366.0	Wheel D121	2	PC	VERSION 2	GREY
52	5.033-952.0	Form hose fresh water BR 30/4	1	PC		
55	6.391-724.0	Suction hose DN32 -130mm	1	PC		