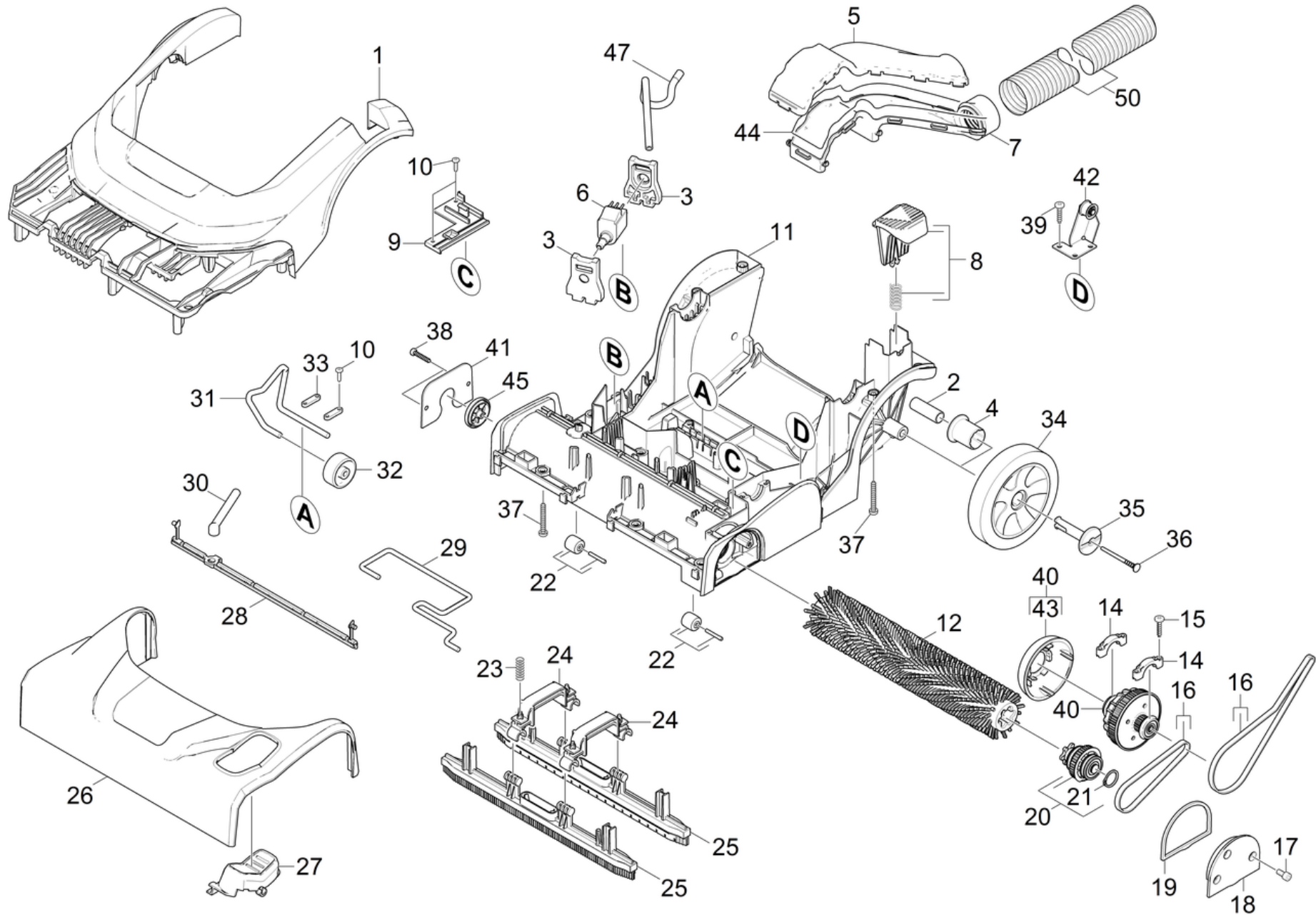


40 Brush-head

Professional \ Floor cleaner \ Compact \ BR 30/4 C +MF *EU \ Spare parts list BR 30/4 C +MF *EU \ Brush-head



40 Brush-head

Professional \ Floor cleaner \ Compact \ BR 30/4 C +MF *EU \ Spare parts list BR 30/4 C +MF *EU \ Brush-head



POS	Article no.	Description	Quantity	Unit	Foot note text
20	3.763-098.0	Assembly group brushes drive	1	PC	
12	4.762-005.0	Brush roll complete middle rot 300 mm	1	PC	
12	4.762-484.0	Brush roll complete orange 300 mm	1	PC	
12	4.762-452.0	Brush roll complete white 300 mm	1	PC	
26	4.033-202.0	Bumper replacement	1	PC	
2	5.112-863.0	Bush	2	PC	
43	5.033-269.0	Cap coupler	1	PC	
38	7.303-269.0	Countersunk screw 4x20 -A2-70 (In6Rd)	2	PC	
14	5.033-222.0	Coupler clamp block	2	PC	
40	4.470-043.0	Coupler complete	1	PC	
1	5.033-755.0	Covering cap brush-head	1	PC	
9	5.033-238.0	Covering cap plate switch	1	PC	
18	5.033-223.0	cover retainer transmission	1	PC	
47	5.033-952.0	Form hose fresh water BR 30/4	1	PC	
30	5.363-698.0	HOSE NOZZLE	1	PC	
11	5.033-200.0	Housing brush-head	1	PC	
21	7.343-001.0	Locking ring 10x1-Rf-St DIN 471	1	PC	
9015	4.762-668.0	Pad roll complete	1	PC	
8	4.481-291.0	Pedal complete only for replacement	1	PC	
27	5.033-225.0	Pedal suction bar	1	PC	
36	5.033-279.0	Pin snap-fit wheel	2	PC	
4	5.038-180.0	Plain bearing with collar	2	PC	
42	4.470-040.0	Pressure roller complete	1	PC	
6	6.473-522.0	Pump 50-60 Hz	1	PC	
31	5.034-826.0	Retaining bracket height adjustment	1	PC	
29	5.034-803.0	Retaining bracket suction bar	1	PC	
41	5.009-415.0	Retaining plate brush	1	PC	
22	4.880-058.0	Roller set	2	PC	
12	4.762-453.0	Roll micro-fibre complete	1	PC	
3	5.363-694.0	rubber pump	2	PC	
10	7.303-026.0	Screw 4x16 -A2-70 (K-In6Rd)	6	PC	
15	7.303-096.0	Screw 4x22-ST-10.9-R2R (IN6RD)	4	PC	
39	7.303-104.0	Screw 5x16 -A2-70 (IN6RD)	2	PC	

40 Brush-head

Professional \ Floor cleaner \ Compact \ BR 30/4 C +MF *EU \ Spare parts list BR 30/4 C +MF *EU \ Brush-head

KÄRCHER

POS	Article no.	Description	Quantity	Unit	Foot note text
17	7.303-212.0	Screw 5x20-A2-70 (K-In6Rd)	3	PC	
37	7.303-268.0	Screw 5x30-A2-70 (K-In6Rd)	12	PC	
19	5.363-713.0	Seal Lagerdeckel	1	PC	
44	6.273-037.0	Seal string cellular rubber 3	1	m	TO ORDER AS CUT GOODS
35	5.033-208.0	Snap-fit wheel	2	PC	
23	5.332-952.0	Spring	4	PC	
33	6.647-513.0	Strain relief	2	ZST	
28	5.190-255.0	Strip water distributor	1	PC	
25	4.777-324.0	Suction bar complete oil resistant 300	2	PC	
25	4.777-008.0	Suction bar complete replacement Silikon	2	PC	
7	5.033-207.0	Suction channel brush-head	1	PC	
5	5.033-258.0	Suction channel top part	1	PC	
50	6.391-724.0	Suction hose DN32 -130mm	1	PC	
45	5.033-230.0	Thread deflector	1	PC	
16	4.348-450.0	Toothed belt set	1	PC	
24	5.033-224.0	Web suction bar	2	PC	
32	5.515-069.0	Wheel	1	PC	
34	5.515-366.0	Wheel D121	2	PC	