

## **Spare parts list**

(1.179-115.0) SB-HDW S2 \*EU

## Table of contents

---

SB-HDW S2 *EU (1.179-115.0)	4
1010 Spare parts list SB-HDW S2 (5.958-222.0)	5
10 Individual parts	6
11 Base frame	7
12 Insulating set	12
13 Individual parts	14
20 Pump set	18
21 Piston	19
1 Piston complete (4.553-075.0)	21
22 Cylinder head	22
30 Motor	25
40 Blower	27
9 Spare parts set ignition transformer (2.883-468.0)	29
50 Fuel pump	30
60 Flow heater	32
12 Bottom pressure boiler (4.655-044.0)	36
12 Bottom pressure boiler (4.655-044.0)	38
40 Conversion kit ignition electrode (2.638-974.0)	40
70 Float chest	42
71 Float chest	43
72 Float chest	45
73 Tank	48
74 Float valve	50
80 Electric control box	52
81 Electronics coin acceptor	53
82 Electric control box housing	56
83 Electric control box individual parts	59
84 Coin acceptor	61
4 Coin acceptor electronic (6.768-021.0)	63
5 Coin acceptor electronic (6.768-021.0)	65
90 Piping	67
91 Piping	68
92 Piping centrifugal pump	70
93 Distributor	73
94 Safety system	75
100 Electronics coin acceptor	77
101 Electronics coin acceptor	78
102 Coin acceptor	81

## Table of contents

---

4 Coin acceptor electronic (6.768-021.0)	83
5 Coin acceptor electronic (6.768-021.0)	85
110 Accessories	87
101 Hand trigger gun ( FSB 0,8 mm)	88
102 Jet pipe	90
103 Hose	92
120 Add-on kit gallows	94

SB-HDW S2 \*EU (1.179-115.0)

---

POS	Article no.	Description	Quantity	Unit
1010	5.958-222.0	Spare parts list SB-HDW S2	1	PC

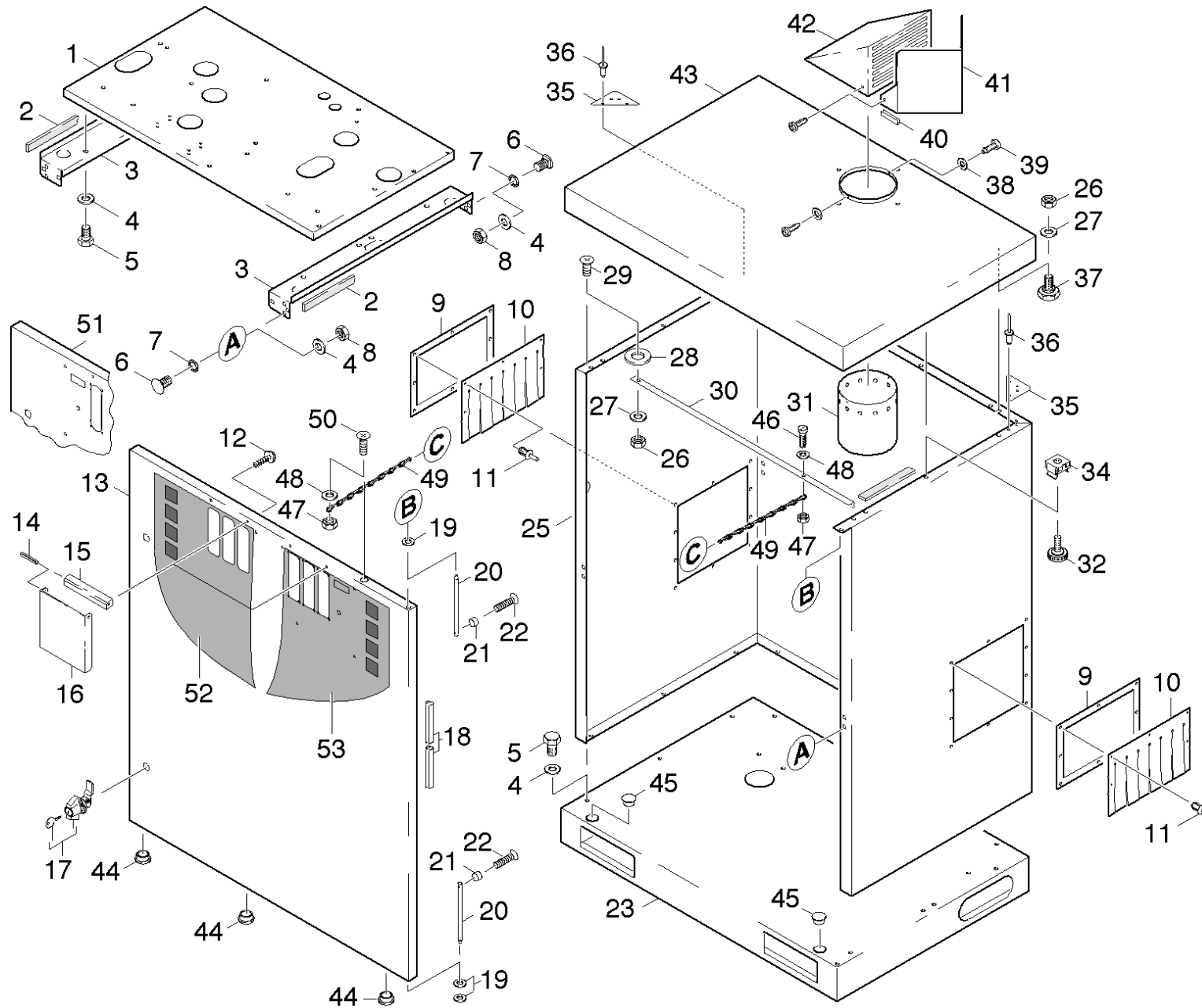
1010 Spare parts list SB-HDW S2 (5.958-222.0)

POS	Description	Quantity	Unit	Remark
10	Individual parts	1	PC	
20	Pump set	1	PC	
30	Motor	1	PC	
40	Blower	1	PC	
50	Fuel pump	1	PC	
60	Flow heater	1	PC	
70	Float chest	1	PC	
80	Electric control box	1	PC	
90	Piping	1	PC	
100	Electronics coin acceptor	1	PC	
110	Accessories	1	PC	
120	Add-on kit gallows	1	PC	2.638-351.0

## 10 Individual parts

---

<b>POS</b>	<b>Description</b>	<b>Quantity</b>	<b>Unit</b>
11	Base frame	1	PC
12	Insulating set	1	PC
13	Individual parts	1	PC



## 11 Base frame

POS	Article no.	Description	Quantity	Unit	Remark	Foot note text
1	7.777-999.0	Stockpiling discontinued	1	PC		
2	6.273-043.0	Sealing tape cellularrubber 9x4	1	m		TO ORDER AS CUT GOODS
2	6.273-043.0	Sealing tape cellularrubber 9x4	1	m		
3	7.777-999.0	Stockpiling discontinued	2	PC		
4	7.312-017.0	Washer 8-A2 ISO 7089	25	PC		
5	7.304-538.0	Hexagonal head screw M8x16-A4-70 ISO 40	17	PC		
6	7.303-202.0	Saucer-head screw M8x16 -A2 DIN 603	8	PC		
7	6.362-074.0	Joint ring 11X15X1	8	PC		
8	7.311-068.0	Hexagon nut M 8-A2-70 ISO 4032	8	PC		
9	7.777-999.0	Stockpiling discontinued	2	PC		
10	5.378-113.0	Spacer	2	PC		
11	6.641-540.0	Expanding rivet 6,0	22	PC		
12	7.303-077.0	Sheet metal screw ST4,8X16-ST-R2R (IN6R	4	PC		
13	7.777-999.0	Stockpiling discontinued	1	PC	(MECHAN. MPR)	
	<b>Item text1:</b> / 1.179-902.0					
13	7.777-999.0	Stockpiling discontinued	1	PC	(MECHAN. MPR)	
	<b>Item text1:</b> / 1.179-115.0 / -135.0 / -235.0					
	<b>Item text2:</b> / -245.0 / -295.0 / -305.0 / -325.0					
13	5.068-097.0	Door S2 AGIP	1	PC	(MECHAN. MPR)	
	<b>Item text1:</b> / 1.179-907.0					
13	5.068-095.0	Door S2 AVIA	1	PC	(MECHAN. MPR)	
	<b>Item text1:</b> / 1.179-905.0					
13	5.068-091.0	Door S2 ESSO	1	PC	(MECHAN. MPR)	
	<b>Item text1:</b> / 1.179-901.0					
13	5.068-096.0	Door S2 DEA	1	PC	(MECHAN. MPR)	
	<b>Item text1:</b> / 1.179-906.0					
13	5.068-093.0	Door S2 BP	1	PC	(MECHAN. MPR)	
	<b>Item text1:</b> / 1.179-903.0 / -913.0					
13	5.068-094.0	Door S2 SHELL	1	PC	(MECHAN. MPR)	
	<b>Item text1:</b> / 1.179-904.0					
14	7.314-949.0	Spring pin 4x14-1.4310 ISO 8752	4	PC		



## 11 Base frame

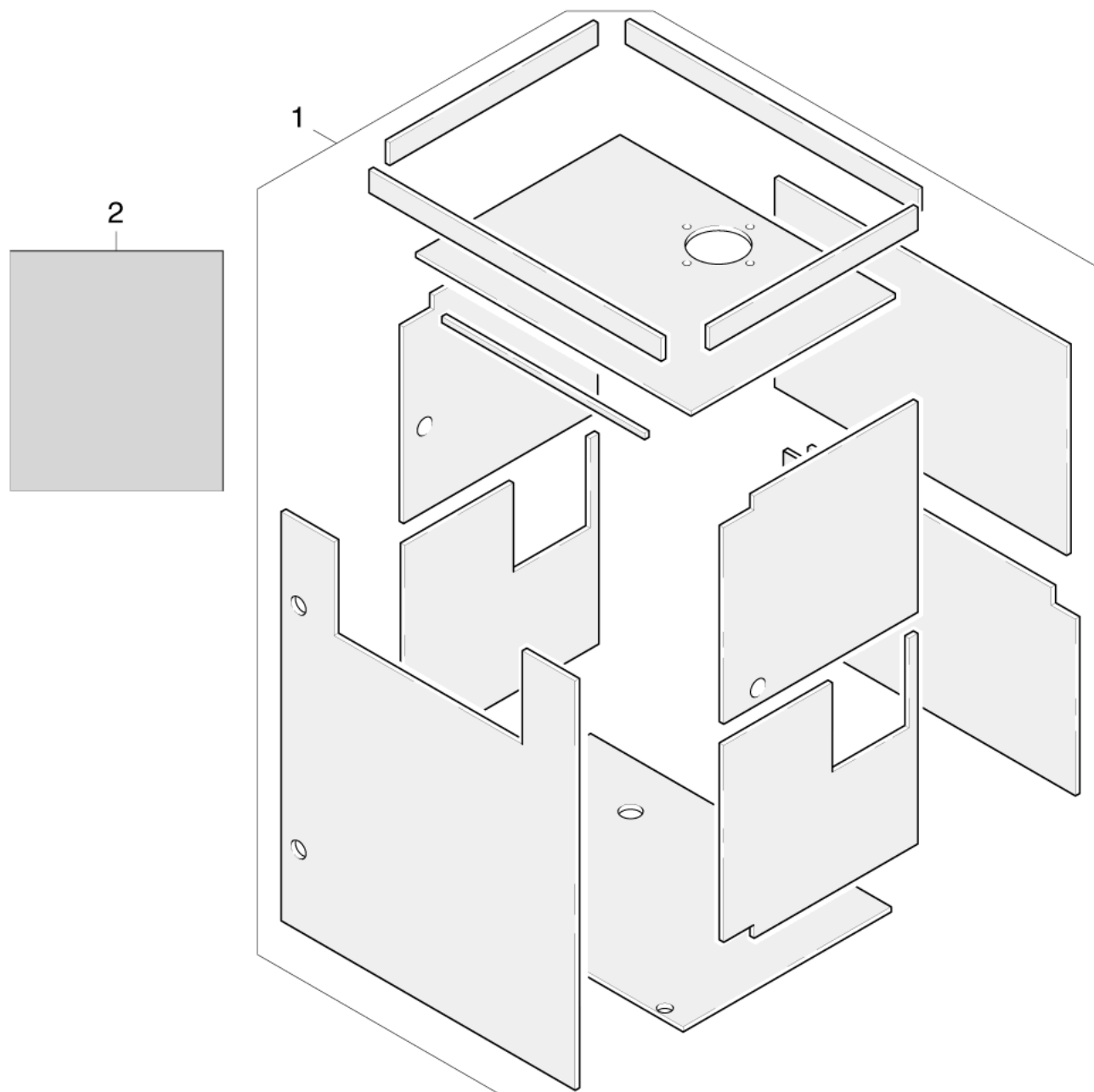
POS	Article no.	Description	Quantity	Unit	Remark	Foot note text
15	5.024-149.0	Stiffening profile	2	PC		
16	5.023-333.0	U-Section	2	PC		
17	6.375-203.0	Cylinder lock pair	1	ZSA		
18	6.286-113.0	Sealing profile	1	m		TO ORDER AS CUT GOODS
19	7.312-062.0	Washer 10-Kunststoff ISO7089	3	PC		
20	5.316-401.0	Bolt door	2	PC		
21	5.110-139.0	Sleeve	2	PC		
22	7.305-536.0	Countersunk screw M5x25 -A2-70 ISO7046-	2	PC		
23	7.777-999.0	Stockpiling discontinued	1	PC		
		<b>Item text1:</b> / 1.179-115.0 / -135.0 / -235.0				
		<b>Item text2:</b> / -245.0 / -295.0 / -305.0 / -325.0				
23	7.777-999.0	Stockpiling discontinued	1	PC		
		<b>Item text1:</b> / 1.179-901.0				
23	7.777-999.0	Stockpiling discontinued	1	PC		
		<b>Item text1:</b> / 1.179-904.0				
25	5.065-633.0	Side panel S2 AVIA	1	PC		
		<b>Item text1:</b> / 1.179-905.0				
25	7.777-999.0	Stockpiling discontinued	1	PC		
		<b>Item text1:</b> / 1.179-115.0 / -135.0 / -235.0				
		<b>Item text2:</b> / -245.0 / -295.0 / -305.0 / -325.0				
25	5.065-634.0	Side panel S2 DEA	1	PC		
		<b>Item text1:</b> / 1.179-906.0				
25	5.065-632.0	Side panel S2 SHELL	1	PC		
		<b>Item text1:</b> / 1.179-904.0				
25	5.065-629.0	Side panel S2 ESSO	1	PC		
		<b>Item text1:</b> / 1.179-901.0				
25	5.065-631.0	Side panel S2 BP	1	PC		
		<b>Item text1:</b> / 1.179-903.0 / -913.0				
25	5.065-630.0	Side panel S2 ARAL	1	PC		
		<b>Item text1:</b> / 1.179-902.0				
26	7.311-422.0	Hexagon nut M 6-1.4305 ISO 10511	11	PC		
27	7.312-045.0	Washer 6-200HV-P4E ISO 7089	24	PC		

## 11 Base frame

POS	Article no.	Description	Quantity	Unit	Remark	Foot note text
28	7.312-008.0	Washer 12-200HV-A2K ISO 7089	2	PC		
29	7.305-061.0	Countersunk screw M 6x16-4.8-A2E ISO 20	4	PC		
30	7.777-999.0	Stockpiling discontinued	1	PC		
31	5.012-263.0	Frame	1	PC		
32	7.303-300.0	Knurled thumb screw M6x12-ST-A2E DIN 65	4	PC		
34	6.310-020.0	Cage nut M 6	4	PC		
35	7.777-999.0	Stockpiling discontinued	2	PC		
36	6.315-055.0	Blind rivet 4x9,5	8	PC		
37	5.305-149.0	Shaped screw	3	PC		
38	7.312-001.0	Washer 4-200HV-A2K ISO 7089	2	PC		
39	7.303-326.0	Sheet metal screw ST3,5x9,5 -St-flZn/nc4	2	PC		
40	6.368-106.0	Edge protection	1	m		TO ORDER AS CUT GOODS
41	5.048-165.0	Sheet metal component	1	PC		
42	7.777-999.0	Stockpiling discontinued	1	PC		
43	7.777-999.0	Stockpiling discontinued	1	PC		
	<b>Item text1:</b> / 1.179-904.0					
43	5.048-049.0	Sheet metal component black roof SB HDW	1	PC		
	<b>Item text1:</b> / 1.179-115.0 / -135.0 / -235.0					
	<b>Item text2:</b> / -245.0 / -295.0 / -305.0 / -325.0					
43	7.777-999.0	Stockpiling discontinued	1	PC		
	<b>Item text1:</b> / 1.179-901.0					
44	6.368-021.0	Protecting cap 19,6	3	PC		
45	6.368-126.0	Drain plug 31,0	2	PC		
46	7.306-058.0	Screw M 4X 12- 8.8-R2R K-IN6RD	1	PC		
47	7.311-430.0	Hexagon nut M4-04-A2E DIN 985	2	PC		
48	7.312-067.0	Washer 4-A2 ISO 7089	2	PC		
49	6.432-002.0	Chain	1	m		TO ORDER AS CUT GOODS
50	7.305-255.0	Countersunk screw M 4x12-A2-70-sw ISO70	1	PC		
51	5.068-157.0	Door S2 DEA	1	PC		
	<b>Item text1:</b> / 1.179-906.0					

## 11 Base frame

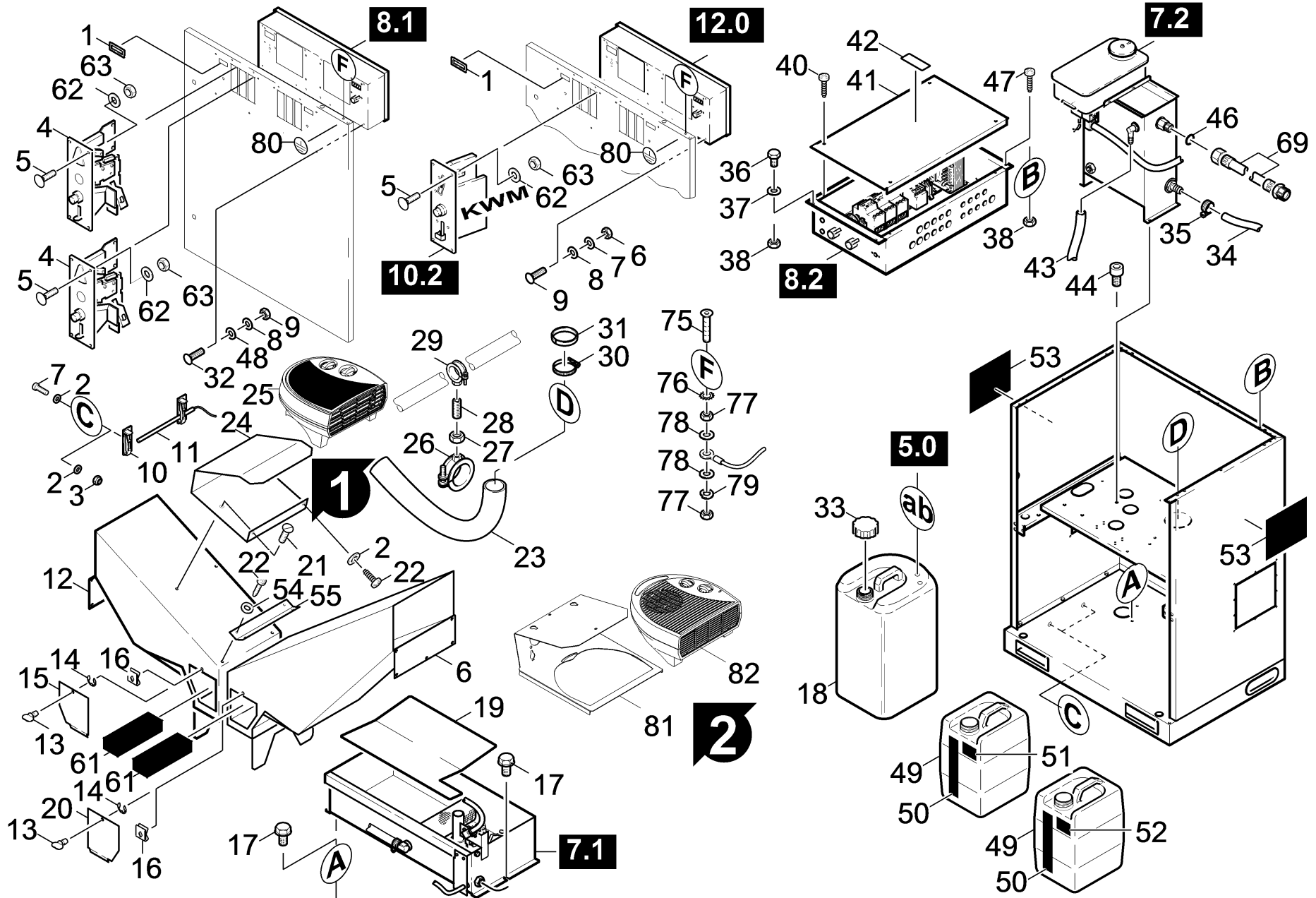
POS	Article no.	Description	Quantity	Unit	Remark	Foot note text
51	7.777-999.0	Stockpiling discontinued	1	PC		
	<b>Item text1:</b> / 1.179-115.0 / -135.0 / -235.0					
	<b>Item text2:</b> / -245.0					
51	5.068-158.0	Door S2 AGIP	1	PC		
	<b>Item text1:</b> / 1.179-907/-912					
51	5.068-153.0	Door S2 ARAL	1	PC		
	<b>Item text1:</b> / 1.179-902.0					
51	5.068-156.0	Door S2 AVIA	1	PC		
	<b>Item text1:</b> / 1.179-905.0					
51	5.068-155.0	Door S2 SHELL	1	PC		
	<b>Item text1:</b> / 1.179-904.0					
51	5.068-154.0	Door S2 BP	1	PC		
	<b>Item text1:</b> / 1.179-903.0 / -913.0					
51	5.068-152.0	Door S2 ESSO	1	PC		
	<b>Item text1:</b> / 1.179-901.0					
52	7.777-999.0	Stockpiling discontinued	1	PC		
53	7.777-999.0	Stockpiling discontinued	1	PC		



## 12 Insulating set

---

<b>POS</b>	<b>Article no.</b>	<b>Description</b>	<b>Quantity</b>	<b>Unit</b>	<b>Foot note text</b>
1	6.286-345.0	Insulating set SB HDW S1/S2	1	PC	
2	6.286-185.0	Insulating	1	PC	QUANTITY = 1 SQUARE METER



## 13 Individual parts

POS	Article no.	Description	Quantity	Unit	valid from	Remark	Foot note text
1	6.394-125.0	Screen	2	PC			
2	7.312-067.0	Washer 4-A2 ISO 7089	5	PC			
3	7.311-430.0	Hexagon nut M4-04-A2E DIN 985	2	PC			
4	6.768-274.0	Coin acceptor 10 SK	2	PC			
	<b>Item text1:</b> / 1.179-911.0						
4	6.768-273.0	Coin acceptor 5 CZK	2	PC			
	<b>Item text1:</b> / 1.179-910.0						
4	6.768-272.0	Coin acceptor 20 FORINT	2	PC			
	<b>Item text1:</b> / 1.179-909.0						
4	6.768-269.0	Coin acceptor	2	PC			
	<b>Item text1:</b> / 1.179-605.0						
4	6.768-153.0	Coin acceptor 100PTAS	2	PC			
	<b>Item text1:</b> / 1.179-912.0 / -913.0						
4	6.768-077.0	Coin acceptor 2 SFRS	2	PC			
	<b>Item text1:</b> / 1.179-295.0						
4	6.768-066.0	Coin acceptor 1 SFRS	2	PC			
	<b>Item text1:</b> / 1.179-295.0						
4	6.768-063.0	Coin acceptor WM 26	2	PC			
	<b>Item text1:</b> / 1.179-115.0 / -245.0 / -305.0						
	<b>Item text2:</b> / -325.0 / -335.0 / -605.0						
4	2.639-914.0	Conversion kit 2-Euro-MPR	2	PC			
4	2.639-913.0	Conversion kit 1-Euro-MPR	2	PC			
4	2.639-912.0	Conversion kit 0,5-Euro-MPR	2	PC			
6	4.038-653.0	Brush conduit	1	PC			
7	7.306-058.0	Screw M 4X 12- 8.8-R2R K-IN6RD	2	PC			
10	6.647-906.0	Bracket ribbon cable twentysix-pole	2	PC			
11	6.413-065.0	Thermostat	1	PC			
12	4.038-652.0	Brush conduit	1	PC			
13	6.375-256.0	Locking plug	2	PC			
14	6.375-230.0	Locking ring	2	PC			
15	5.001-786.0	Cover plate S1	1	PC			

## 13 Individual parts

POS	Article no.	Description	Quantity	Unit	valid from	Remark	Foot note text
16	6.375-255.0	Closure CLIP ON SOUTHCO	1	PC			
17	7.304-027.0	Hexagonal head screw M 8x12 -8.8-P2E EN 1665	2	PC			
18	5.070-179.0	Tank	1	PC			40l reservoir
18	5.070-250.0	Tank	1	PC			30l reservoir
19	5.048-190.0	Sheet metal component S2	1	PC			
20	7.777-999.0	Stockpiling discontinued	1	PC			
21	7.305-039.0	Countersunk screw M 5x 8-1.4301 ISO 200	2	PC			
22	7.303-031.0	Screw M4x10 -St-P2R (In6Rd)	6	PC			
23	6.390-254.0	Hose	1	ZST			
24	5.044-743.0	Holder heater blower	1	PC			
25	5.810-038.0	Heater blower ewt	1	PC			
26		Pipe clamp 2 Z ST	1	PC			
27	7.311-068.0	Hexagon nut M 8-A2-70 ISO 4032	1	PC			
28	7.308-282.0	Stud screw M 8x25-5.6-A2E DIN 939	1	PC			
29	7.777-999.0	Stockpiling discontinued	1	PC			
30	6.388-713.0	Hose clip	1	PC			
31	6.368-139.0	Edge protection	1	m			TO ORDER AS CUT GOODS
33	6.393-045.0	Screw cap	1	PC			
34	6.389-886.0	Hose 19X4	1	m			TO ORDER AS CUT GOODS
35	7.373-023.0	Hose clip A 16-27x9-W4 DIN 3017	1	PC			
36	7.306-193.0	Screw M6x16 -A2-70 (In6Rd)	7	PC			
37	7.312-045.0	Washer 6-200HV-P4E ISO 7089	25	PC			
38	7.311-422.0	Hexagon nut M 6-1.4305 ISO 10511	12	PC			
40	7.303-365.0	Sheet metal screw ST4,8X 9,5-1.4301 IS	6	PC			
41	4.063-618.0	Cover complete	1	PC			
42	5.386-008.0	Warning sign	1	PC			
43	6.388-007.0	High pressure hose DN13	1	m			TO ORDER AS CUT GOODS



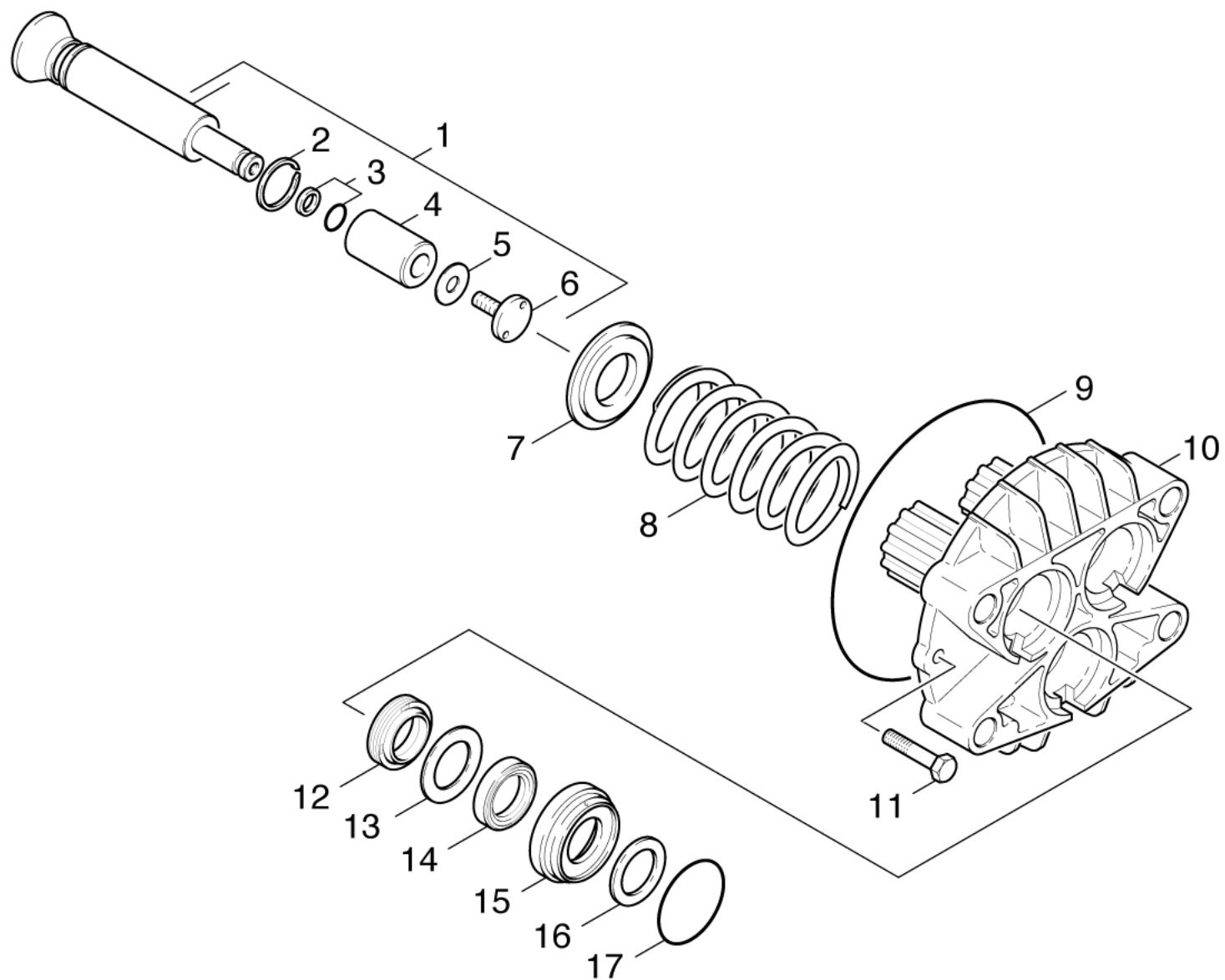
## 13 Individual parts

POS	Article no.	Description	Quantity	Unit	valid from	Remark	Foot note text
44	7.306-031.0	Cylinder head screw M 6x16 A2-70 DIN 7984	2	PC			
46	6.362-078.0	O-Ring seal 13,3x2,4	1	PC			
47	7.305-061.0	Countersunk screw M 6x16-4.8-A2E ISO 20	4	PC			
49	6.393-145.0	Tank	1	PC			30l reservoir
49	6.393-939.0	Tank	2	PC			40l reservoir
50	5.388-914.0	Label	2	PC			
51	7.777-999.0	Stockpiling discontinued	1	PC			
52	5.389-018.0	Label	1	PC			
53	5.383-060.0	Label	2	PC		EUR	
53	7.777-999.0	Stockpiling discontinued	1	PC			
54	7.312-001.0	Washer 4-200HV-A2K ISO 7089	4	PC			
55	7.777-999.0	Stockpiling discontinued	1	PC			
56	5.044-380.0	Sheet metal component	1	PC	10463		
61	6.414-628.0	Filter	2	PC			
62	7.312-280.0	Washer 3 -200HV-A2E ISO7093-1	4	PC			
63	7.311-003.0	Hexagon nut M6 -8-A2E ISO 4032	4	PC			
75	7.305-054.0	Countersunk screw M 6x 20-A2-70 (IN6RD)	1	PC			
76	6.600-117.0	Contact disk 6mm	1	PC			
77	7.311-067.0	Hexagon nut M 6-A2-70 ISO 4032	2	PC			
78	7.312-026.0	Washer 6 -A2 ISO 7089	2	PC			
79	7.313-018.0	Spring washer B 6-1.4310 DIN 127	1	PC			
80	6.643-145.0	Label earthing	1	PC			
81	5.317-980.0	Bracket heater blower	1	PC			
82	6.740-000.0	Heater blower DIMPLEX H 450TS	1	PC			

## 20 Pump set

---

<b>POS</b>	<b>Description</b>	<b>Quantity</b>	<b>Unit</b>
21	Piston	1	PC
22	Cylinder head	1	PC

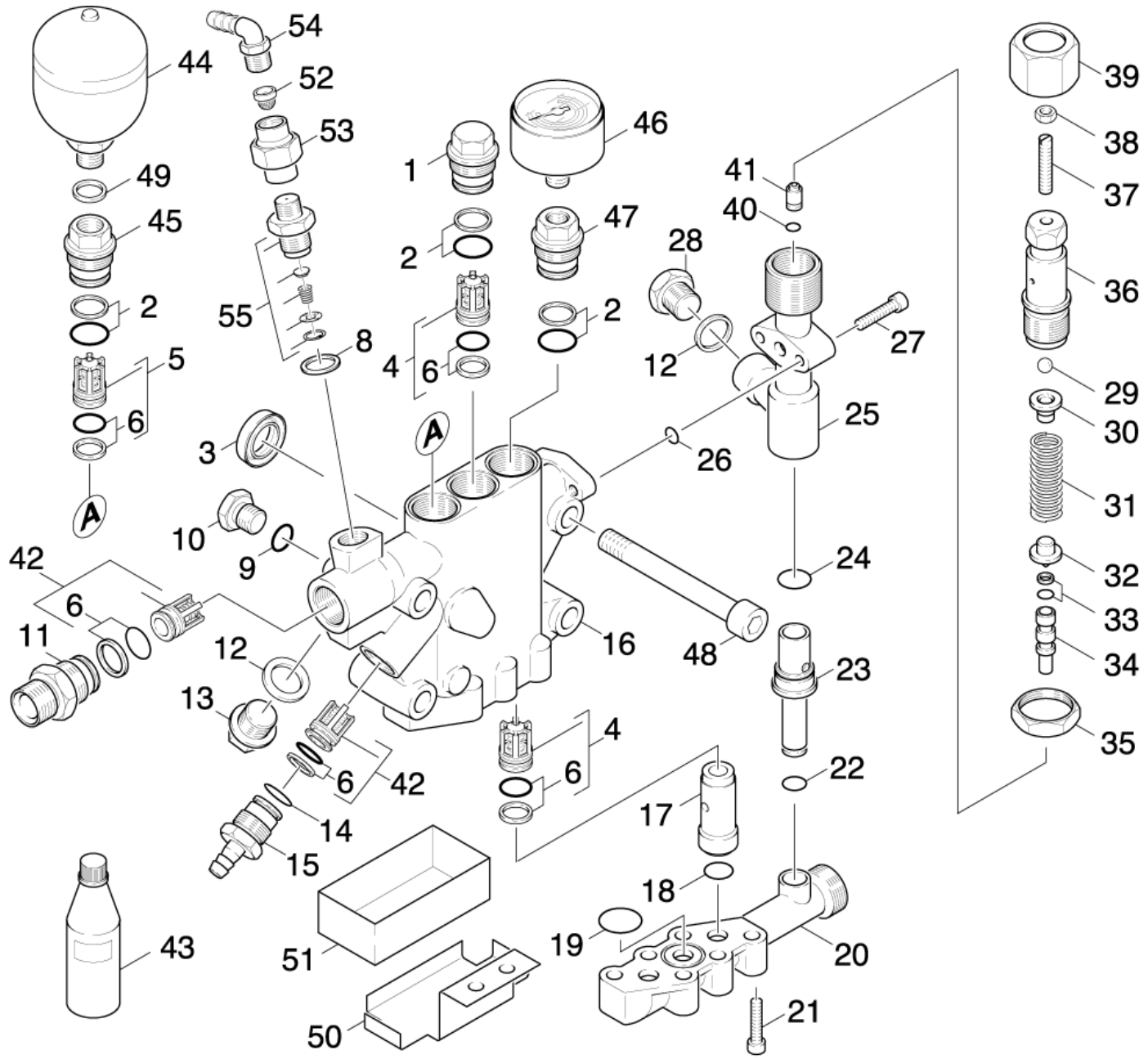


## 21 Piston

POS	Article no.	Description	Quantity	Unit
1	4.553-075.0	Piston complete	6	PC
2	6.472-331.0	Snap ring 20	2	PC
3	6.362-365.0	O-Ring seal complete 1ST.-R.- 7,65X 1,7	2	PC
4	5.110-220.3	Sleeve ceramic	2	PC
5	5.363-162.0	Joint ring	2	PC
6	5.305-111.0	Shaped screw	2	PC
7	5.115-539.0	Washer	6	PC
8	5.332-289.0	Helical spring	6	PC
9	6.362-796.0	O-Ring seal 107,62X 2,62	2	PC
10	5.060-432.0	Housing	2	PC
11	7.306-133.0	Screw M6x50 -8.8-R3R (In6Rd)	4	PC
12	6.365-052.0	Grooved ring 20X28X6/8	6	PC
13	5.115-537.0	Washer	6	PC
14	6.365-053.0	Compact seal 20X30X6	6	PC
15	5.112-420.0	Bush	6	PC
16	5.115-538.0	Washer	6	PC
17	6.362-092.0	O-Ring seal 36,0 X 2,0-NBR 70	3	PC

## 1 Piston complete (4.553-075.0)

POS	Article no.	Description	Quantity	Unit
1	5.110-220.3	Sleeve ceramic	1	PC
2	5.305-111.0	Shaped screw	1	PC
3	5.363-162.0	Joint ring	1	PC
6	6.362-365.0	O-Ring seal complete 1ST.-R.- 7,65X 1,7	1	PC
7	6.472-331.0	Snap ring 20	1	PC
8	6.869-070.0	Metal bonding agent	0,04	ZST
11	6.591-052.0	Sliding collar 35, 120-200mm	1	PC
12	6.376-036.0	Label spare parts neutrally 65x55 MM	1	ZST
13	6.288-016.0	Gear oil 1L	1	PC



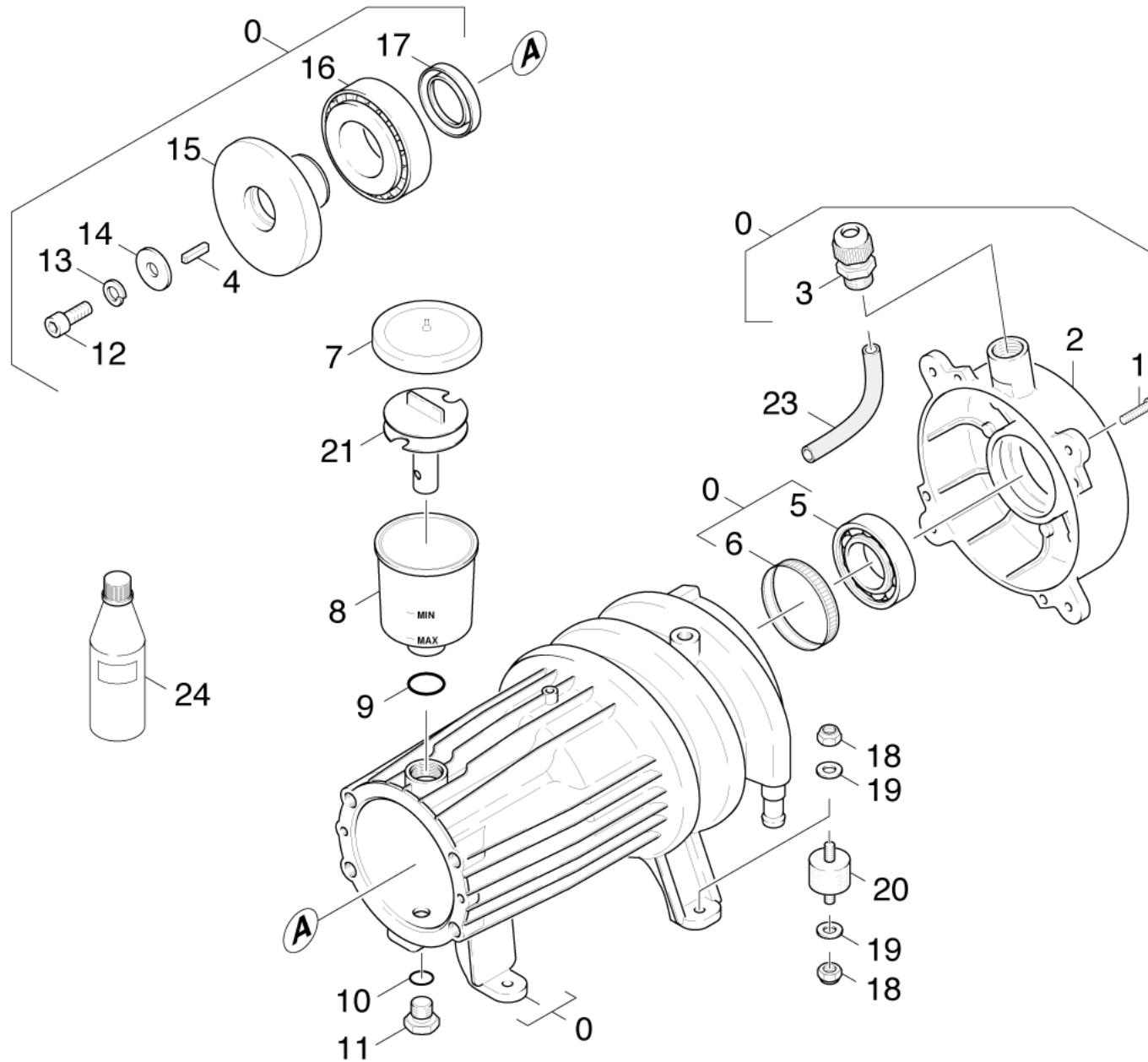
## 22 Cylinder head

POS	Article no.	Description	Quantity	Unit	Foot note text
1	5.583-125.0	Valve screw	2	PC	
2	6.362-500.0	O-Ring seal complete /1ST.-R.	8	PC	
3	6.365-330.0	Grooved ring	6	PC	
4	2.884-906.0	TRIPLE VALVE	2	PC	SET WITH 3 PIECES
5	4.580-237.0	Valve complete	2	PC	
6	4.363-693.0	O-Ring seal kpl. -nur fuer Ersatz-	16	PC	
7	7.382-254.0	Screw plug M16x1,5-A-CuZn DIN 7604	2	PC	
8	7.362-007.0	Joint ring A16x20 -Cu DIN 7603	2	PC	
9	7.362-003.0	Joint ring A10x13,5 -Cu DIN 7603	2	PC	
10	5.411-070.0	Screw plug	2	PC	
11	5.403-155.0	Double connection	2	PC	
12	7.362-009.0	Joint ring A18x22 -Cu DIN 7603	4	PC	
13	7.382-235.0	Screw plug M18x1,5-A-CuZn DIN 7604	2	PC	
14	6.362-481.0	O-Ring seal 14,0 x 2,0 NBR 80	2	PC	
15	5.443-336.0	Hose stem	2	PC	
16	5.550-192.0	Cylinder head	2	PC	
17	5.110-518.0	Sleeve	4	PC	
18	6.362-153.0	O-Ring seal 15,3 X 2,4-NBR 70	4	PC	
19	6.362-547.0	O-Ring seal 20,0x1,5-NBR 70	2	PC	
20	5.587-141.0	Valve housing	2	PC	
21	7.306-044.0	Cylinder head screw M8x35 -8.8-A2E ISO4	12	PC	
22	6.362-797.0	O-Ring seal 9,0 X 2,0	2	PC	
23	5.402-489.0	Connection piece	2	PC	
24	6.362-534.0	O-Ring seal 18,0 X 2,0-NBR 70	2	PC	
25	5.060-424.0	Housing	2	PC	
26	6.362-482.0	O-Ring seal 10 x 1,5-NBR 70	2	PC	
27	7.306-105.0	Screw M6x30 -8.8-R3R (In6Rd)	4	PC	
28	5.411-128.0	Screw plug M18x1	1	PC	
29	7.401-918.0	Sphere 6 G300 -1.4301 DIN 5401	2	PC	
30	5.582-103.0	Valve disc	2	PC	
31	5.332-296.0	Helical spring	2	PC	
32	5.584-077.0	Valve pin	2	PC	
33	6.363-115.0	O-Ring seal complete 1ST.-R.	2	PC	

## 22 Cylinder head

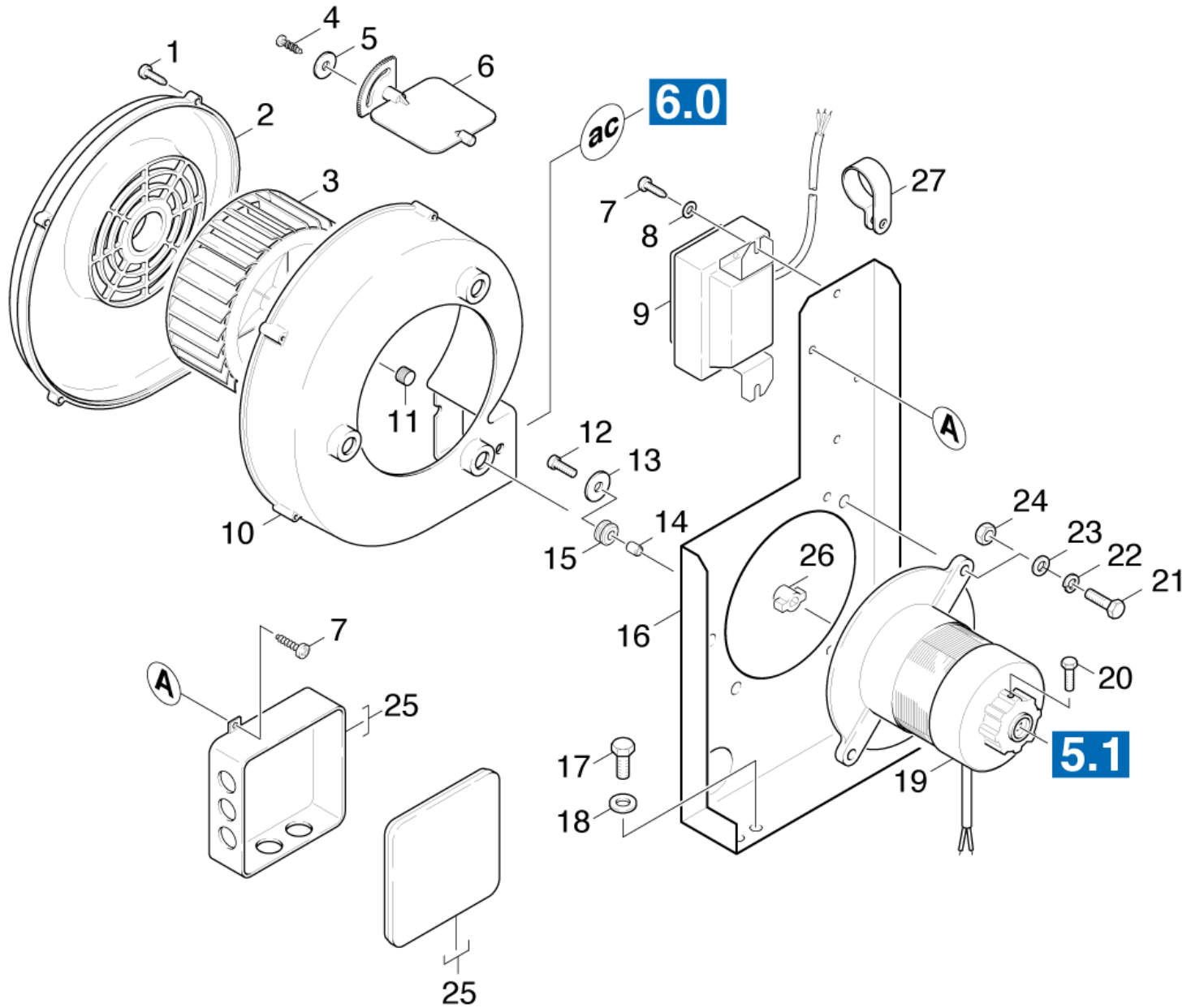
POS	Article no.	Description	Quantity	Unit	Foot note text
34	5.553-249.0	Piston	2	PC	
35	5.311-165.0	Hexagon nut M30x1,5	2	PC	
36	5.304-061.0	Hexagonal head screw	2	PC	
37	7.307-418.0	Threaded pin M6x35 -St-45H-A2E ISO 4026	2	PC	
38	7.311-003.0	Hexagon nut M6 -8-A2E ISO 4032	2	PC	
39	5.311-164.0	Hexagon nut	2	PC	
40	6.362-703.0	O-Ring seal 6,0x1,5-NBR 70	2	PC	
41	5.581-143.0	Valve seat	2	PC	
42	2.884-903.0	Valve ( 2 Stück)	1	PC	SET OF 2 PIECES
43	6.288-016.0	Gear oil 1L	2	PC	
44	6.505-025.0	Pressure accumulator	2	PC	
45	5.583-149.0	Valve screw	2	PC	
46	6.421-361.0	Pressure gauge 0-16 MPa	2	PC	
47	5.402-549.0	Connection piece	2	PC	
48	7.306-155.0	Cylinder head screw M12x100 -8.8-A3E IS	8	PC	
49	7.362-005.0	Joint ring A14x18 -Cu DIN 7603	1	PC	
50	5.049-738.0	Sheet metal component holder oil tank	1	PC	
51	6.394-254.0	Tank	1	PC	
52	6.414-172.0	Strainer	1	PC	
53	6.386-653.0	Screw connector	1	PC	
54	6.388-423.0	Angle bushing 1/4"	1	PC	
55	4.580-011.0	Check valve	1	PC	





## 30 Motor

POS	Article no.	Description	Quantity	Unit	Foot note text
0	4.623-377.0	Motor complete	2	PC	
1	7.303-048.0	Screw M6x20 -St-R3R (In6Rd)	8	PC	
2	5.063-452.0	Cover	2	PC	
3	6.641-356.0	Cable gland PG16	2	PC	
4	7.318-035.0	Parallel key 8x7x25 -C45K DIN 6885-1	2	PC	
5	6.401-253.0	Ball bearing 6305-2Z	2	PC	
6	6.343-010.0	Tolerance ring 62x10	2	PC	
7	5.063-416.0	Cover	2	PC	
8	5.070-048.0	Box	2	PC	
9	6.362-168.0	O-Ring seal 22,3 X 2,4-NBR 70	2	PC	
10	6.363-273.0	O-Ring seal 11,0 x 2,0	2	PC	
11	5.411-100.0	Screw plug	2	PC	
12	7.306-041.0	Cylinder head screw M8x20 -8.8-A2E ISO	2	PC	
13	7.313-051.0	Spring washer 8-FST-A3E DIN 7980	2	PC	
14	5.115-565.0	Washer	2	PC	
15	7.777-999.0	Stockpiling discontinued	2	PC	
16	6.401-225.3	Taper roller bearing 41	2	PC	
17	7.367-009.0	Radial shaft seal ring A35x52x7-NBR DIN	2	PC	
18	7.311-068.0	Hexagon nut M 8-A2-70 ISO 4032	16	PC	
19	7.312-017.0	Washer 8-A2 ISO 7089	16	PC	
20	6.339-095.0	Rubber buffer	8	PC	
21	5.030-389.0	Moulded part	2	PC	
23	6.642-011.0	Insulating hose 10	2	m	TO ORDER AS CUT GOODS
24	6.288-061.0	Engine oil SAE 50	1	l	



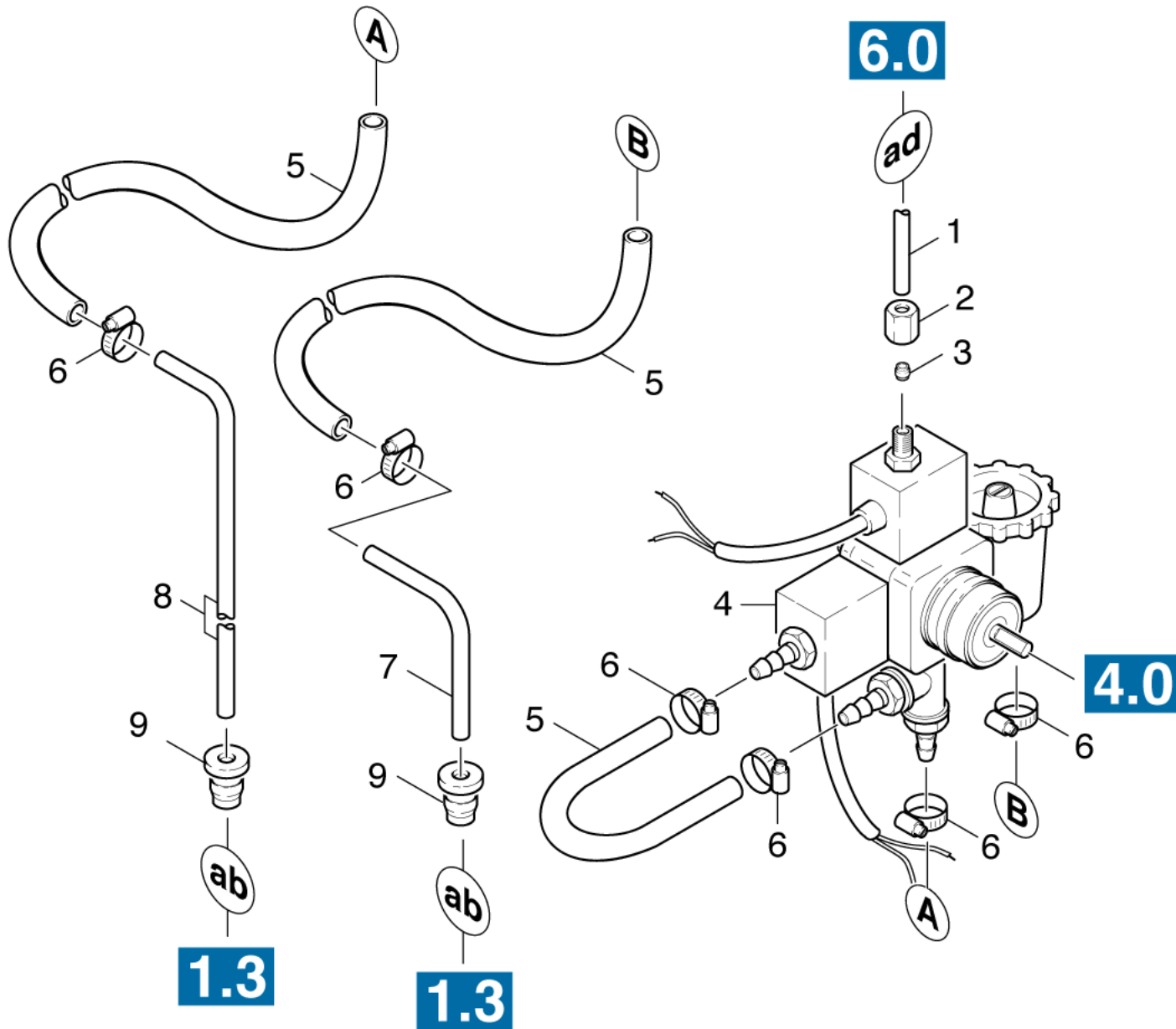
## 40 Blower

POS	Article no.	Description	Quantity	Unit
1	7.303-084.0	Screw 4x25 -10.9-R2R (K-In6Rd)	5	PC
2	5.063-274.0	Cover	1	PC
3	5.600-021.0	Blower wheel	1	PC
4	7.303-077.0	Sheet metal screw ST4,8X16-ST-R2R (IN6R	1	PC
5	7.312-278.0	Washer 5-200HV-A2E ISO7093-1	1	PC
6	5.606-002.0	Air flap	1	PC
7	7.303-038.0	Screw M5x12 -St-P2R (In6Rd)	4	PC
8	7.312-058.0	Washer 5 -A2 ISO 7089	2	PC
9	2.883-468.0	Spare parts set ignition transformer	1	PC
10	5.605-143.0	Housing	1	PC
11	6.343-166.0	Tolerance ring D14X8	1	PC
12	6.303-320.0	Screw M 5x 20-St-R2R	3	PC
13	7.312-264.0	Washer 5-100HV-A3E ISO 7094	3	PC
14	5.110-306.0	Sleeve	1	PC
15	5.379-011.0	Rubber ring	1	PC
16	5.052-041.0	Stand blower burner	1	PC
17	7.304-538.0	Hexagonal head screw M8x16-A4-70 ISO 40	2	PC
18	7.312-017.0	Washer 8-A2 ISO 7089	2	PC
19	6.612-087.0	Electric motor two parts -230V- 0,15KW	1	PC
20	7.306-077.0	Screw M5x16 -8.8-R2R (In6Rd)	1	PC
21	7.304-399.0	Hexagonal head screw M 8x25-8.8-A2E ISO	2	PC
22	7.313-004.0	Spring washer B 8-FSt-A3E DIN 127	2	PC
23	7.312-277.0	Washer 8-200HV-A2E ISO7093-1	4	PC
24	7.311-004.0	Hexagon nut M8 -8-A3E ISO 4032	2	PC
25	6.645-016.0	Distribution box	1	PC
26	6.463-027.0	Coupler	1	PC
27	6.641-478.0	Clamp 22,0	1	PC

9 Spare parts set ignition transformer (2.883-468.0)

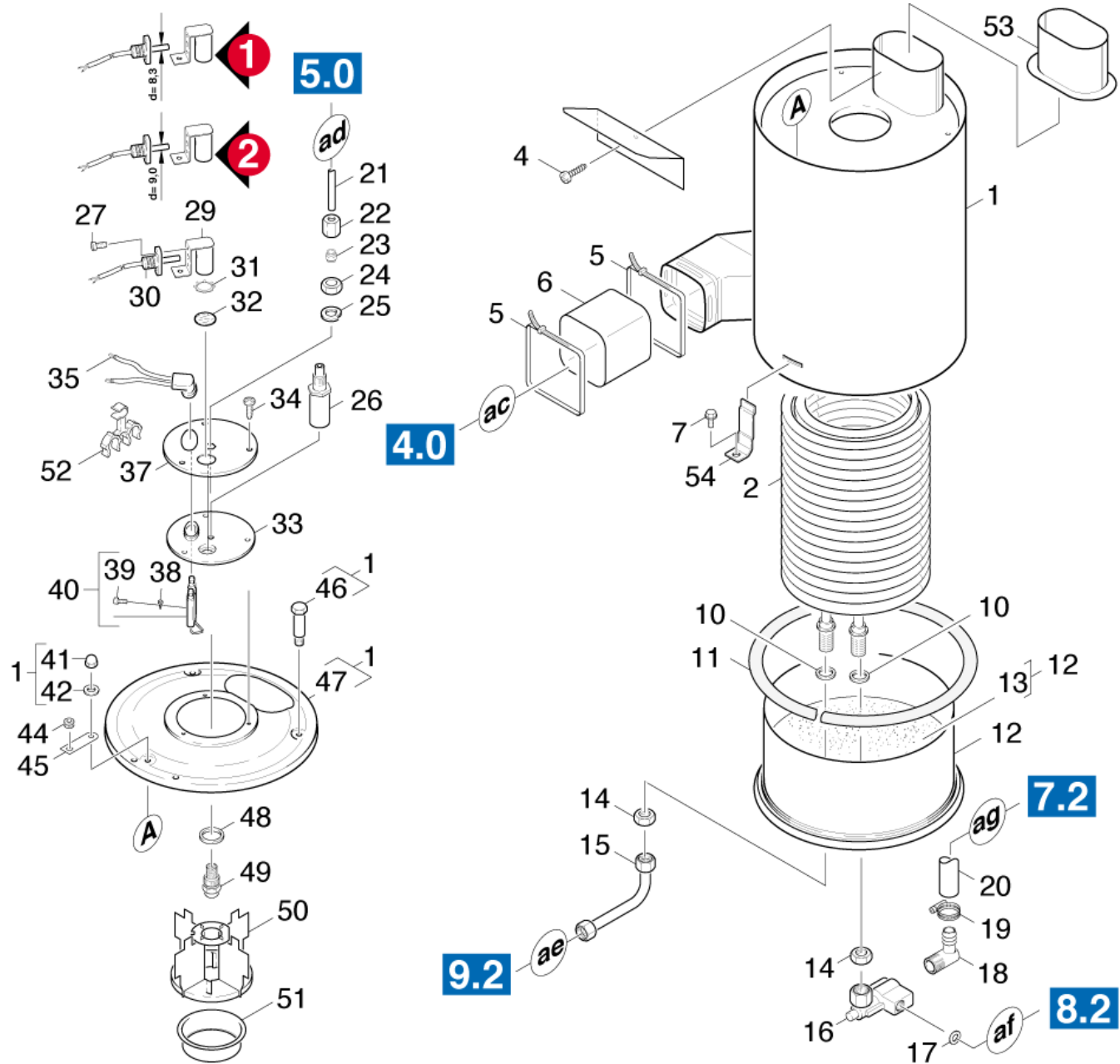
---

<b>POS</b>	<b>Article no.</b>	<b>Description</b>	<b>Quantity</b>	<b>Unit</b>
10	7.777-999.0	Stockpiling discontinued	1	PC
20	6.647-518.0	Ignition cable	1	PC



## 50 Fuel pump

POS	Article no.	Description	Quantity	Unit	Foot note text
1	5.423-238.0	Pipeline fuel	1	PC	
2	6.389-262.0	Union nut A 4-LL	1	PC	
3	6.389-263.0	Cutting ring d.4	1	PC	
4	6.472-938.0	Fuel feed pump	1	PC	
5	6.389-534.0	Hose	3	m	
6	7.373-019.0	Hose clip A 10-16x9-W4 DIN3017	4	PC	
7	5.028-533.0	Barrel recoil for fuel	1	PC	
8	5.028-070.0	Pipelines	1	PC	for 30l reservoir
8	5.028-694.0	Pipelines	1	PC	for 40l reservoir
9	5.365-145.0	Profile gasket	2	PC	





## 60 Flow heater

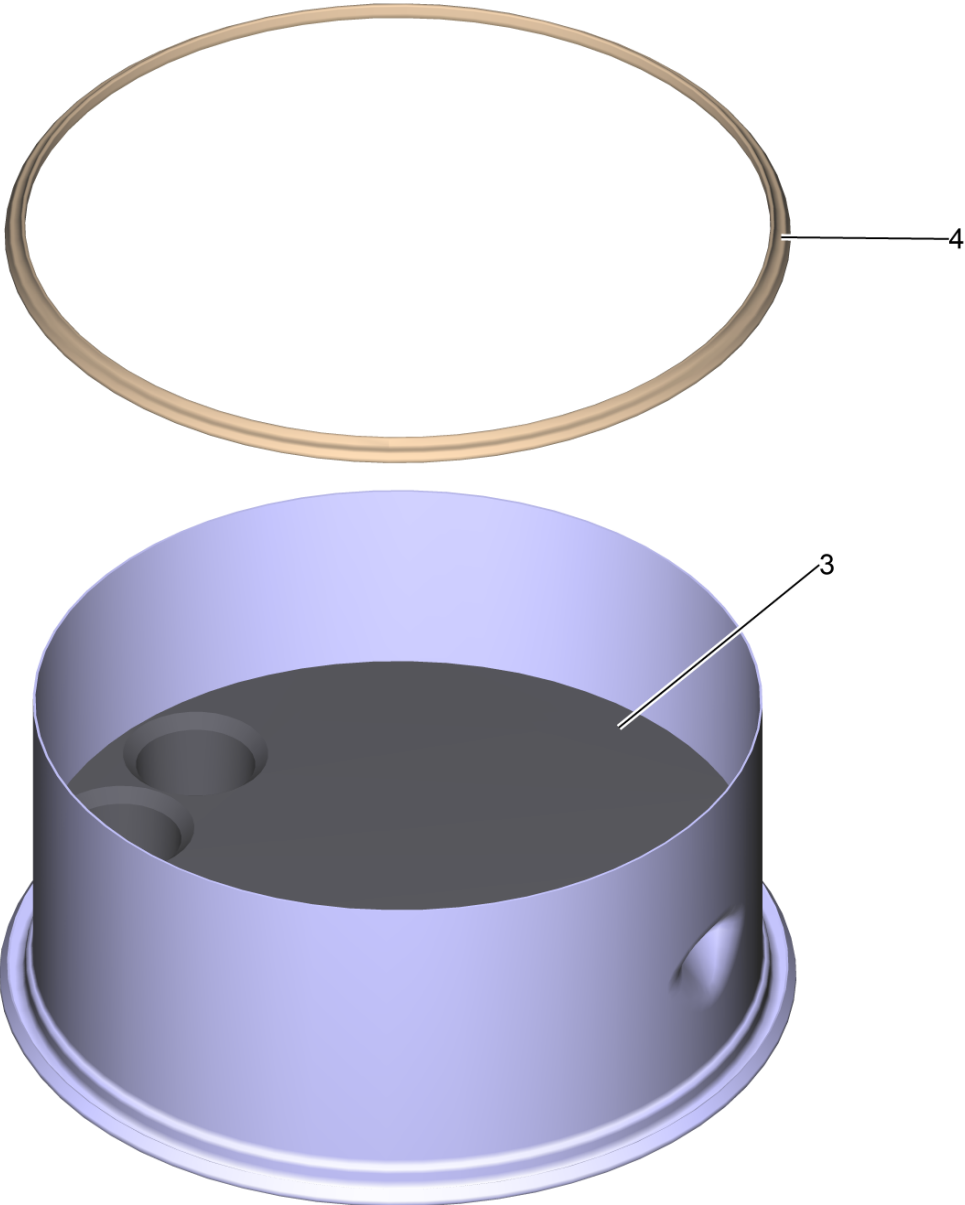
POS	Article no.	Description	Quantity	Unit	valid from	valid until	Remark	Foot note text
1	7.777-999.0	Stockpiling discontinued	1	PC				VERSION 2
1	7.777-999.0	Stockpiling discontinued	1	PC				VERSION 1
2	4.680-122.0	Heating coil	1	PC				
2	4.680-127.0	Heating coil	1	PC	10492			
2	4.680-129.0	Heating coil VA	1	PC	10492			STAINLESS STEEL CONSTRUCTION
2	4.680-129.0	Heating coil VA	1	PC				STAINLESS STEEL CONSTRUCTION
4	7.303-077.0	Sheet metal screw ST4,8X16-ST-R2R (IN6R)	3	PC				
5	6.388-608.0	Tightening strap	2	PC				
6	5.178-026.0	Cloth collar	1	PC				
7	7.304-051.0	Hexagonal head screw M 8x16 -8.8-P2R EN 1665	3	PC				VERSION 2
8	7.312-277.0	Washer 8-200HV-A2E ISO7093-1	3	PC				VERSION 1
10	5.365-068.0	Profile gasket	2	PC				
11	6.366-009.0	Seal string	1	PC				
12	4.655-044.0	Bottom pressure boiler	1	PC				
12	4.655-044.0	Bottom pressure boiler	1	PC				
13	7.777-999.0	Stockpiling discontinued	1	PC				
14	7.311-155.0	Hexagon nut M22x1,5 -Cu2 DIN 936	2	PC				
15	4.427-153.0	Manifold	1	PC				
16	4.427-156.0	Manifold	1	PC				
17	5.115-375.0	Washer	1	PC				
18	5.443-191.0	Hose stem	1	PC				
19	7.373-023.0	Hose clip A 16-27x9-W4 DIN 3017	1	PC				

## 60 Flow heater

POS	Article no.	Description	Quantity	Unit	valid from	valid until	Remark	Foot note text
20	6.388-719.0	Hose DN17	1	m				TO ORDER AS CUT GOODS
21	5.423-238.0	Pipeline fuel	1	PC				
22	6.389-262.0	Union nut A 4-LL	1	PC				
23	6.389-263.0	Cutting ring d.4	1	PC				
24	7.311-101.0	Hexagon nut M10x1 -04-A2E DIN 936	1	PC				
25	7.312-302.0	Spring washer B10-FST-A2E DIN 137	1	PC				
26	5.667-055.0	Nozzle holder	1	PC				
27	7.303-030.0	Screw M4x8 -St-P2R (In6Rd)	2	PC				
29	4.043-246.0	Holder	1	PC			VERSION 2 D=9,0	
30	6.664-031.0	Probe	1	PC			VERSION 2 D=9,0	
30	7.777-999.0	Stockpiling discontinued	1	PC			VERSION 1 D=8,3	
31	6.343-165.0	Serrated ring	1	PC				
32	6.278-018.0	Glass pane	1	PC				
33	5.662-022.0	Burner cover	1	PC				
34	7.303-038.0	Screw M5x12 -St- P2R (In6Rd)	3	PC				
35	4.821-071.0	IGNITION LEAD (HDS 557CI)	1	PC				
37	5.654-059.0	Cover pressure boiler	1	PC				
38	7.312-304.0	Spring washer B 5-FST-A2E DIN 137	1	PC				
39	7.306-326.0	Screw M5x14 -8.8-ZNBHL (In6Rd)	1	PC				
40	2.638-974.0	Conversion kit ignition electrode	1	PC				
41	7.306-193.0	Screw M6x16 -A2-70 (In6Rd)	1	PC				
42	7.312-045.0	Washer 6-200HV- P4E ISO 7089	1	PC				
44	6.641-638.0	Wire protecting	1	PC				

## 60 Flow heater

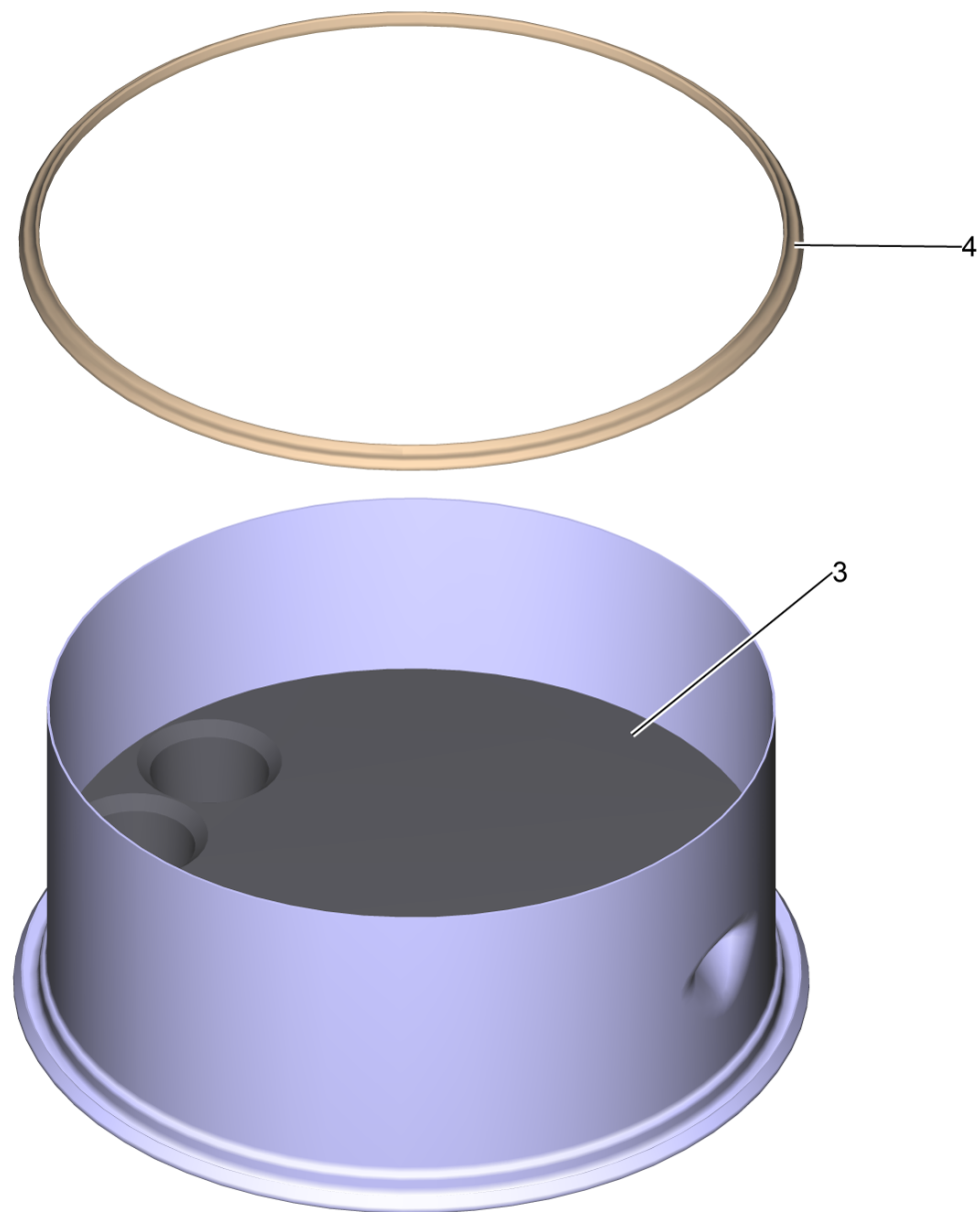
POS	Article no.	Description	Quantity	Unit	valid from	valid until	Remark	Foot note text
		sleeve						
45	5.042-833.0	Holder	1	PC				
46	6.303-258.0	Self-tapping screw	3	PC				
47	4.654-196.0	Cover pressure boiler	1	PC				
48	7.362-005.0	Joint ring A14x18 -Cu DIN 7603	1	PC				
49	6.415-492.0	Nozzle 0,85-60° B	1	PC				
50	4.663-096.0	Burner cage	1	PC				
51	5.664-227.0	Burner part D81	1	PC		10469		
51	5.664-233.0	Flame tube	1	PC	10470			
52	6.647-527.0	Holder	1	PC				
53	4.654-249.0	Take-off chimney S1/S2	1	PC				
54	5.044-420.0	Holder	3	PC				VERSION 2



## 12 Bottom pressure boiler (4.655-044.0)

---

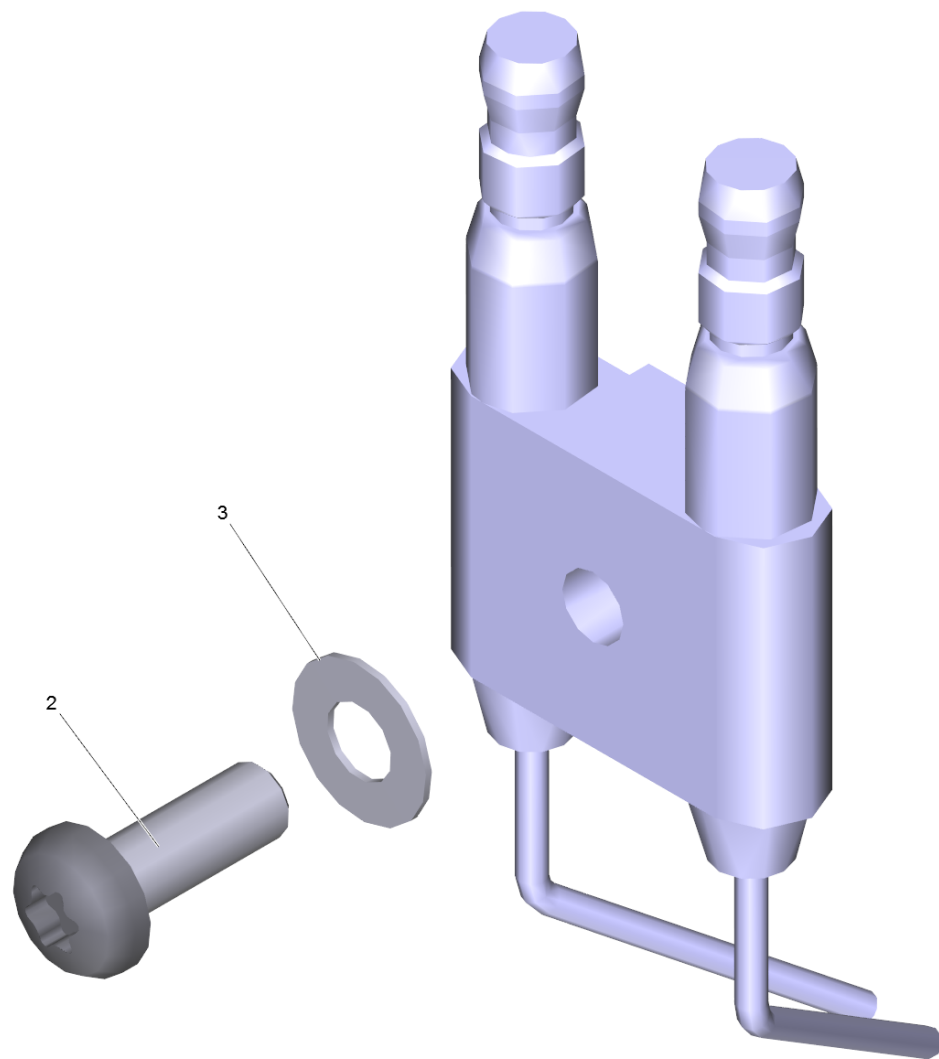
<b>POS</b>	<b>Article no.</b>	<b>Description</b>	<b>Quantity</b>	<b>Unit</b>
3	7.777-999.0	Stockpiling discontinued	1	PC
4	6.366-009.0	Seal string	1	PC



12 Bottom pressure boiler (4.655-044.0)

---

<b>POS</b>	<b>Article no.</b>	<b>Description</b>	<b>Quantity</b>	<b>Unit</b>
3	7.777-999.0	Stockpiling discontinued	1	PC
4	6.366-009.0	Seal string	1	PC





40 Conversion kit ignition electrode (2.638-974.0)

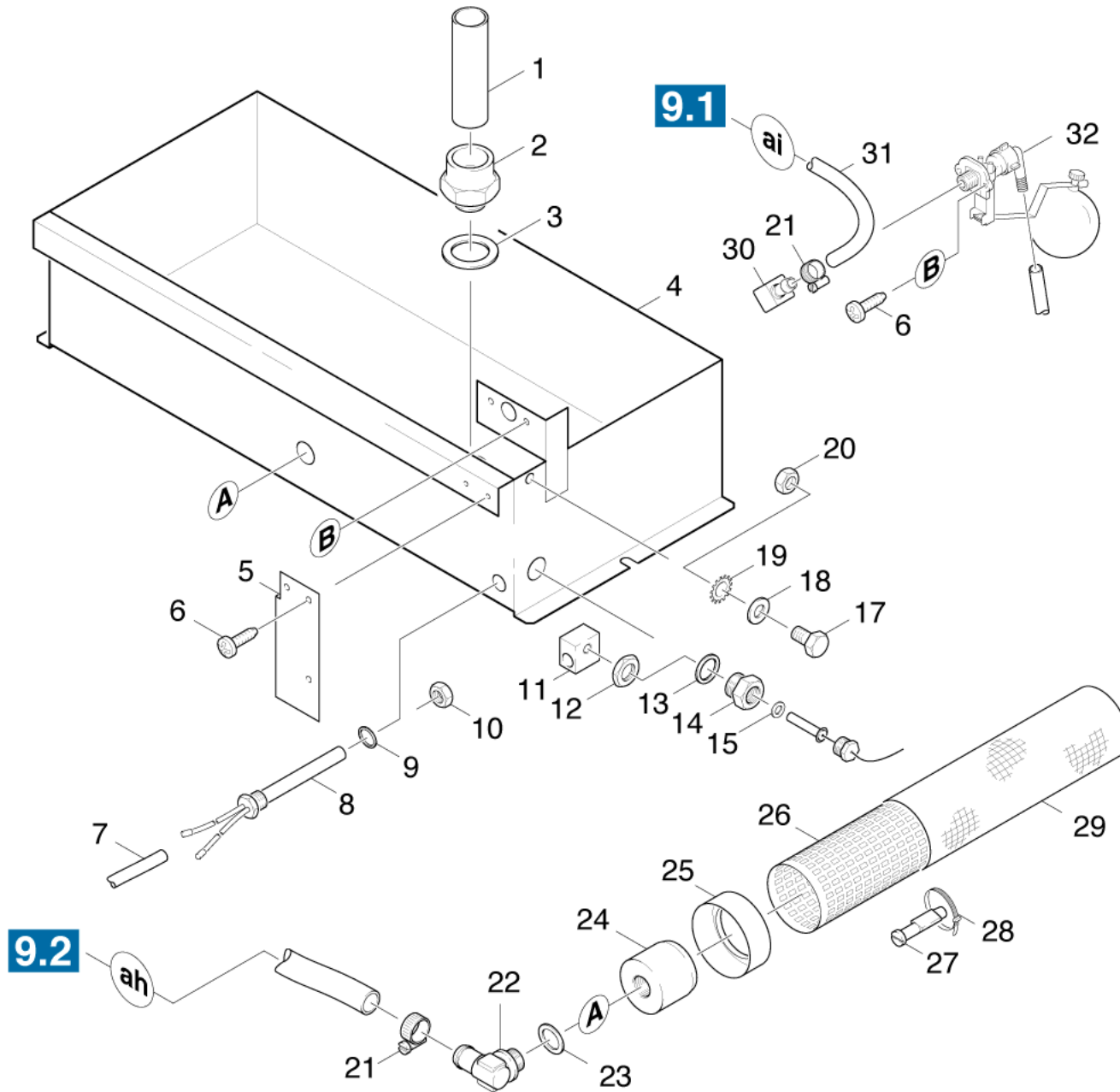
---

POS	Article no.	Description	Quantity	Unit
2	7.306-326.0	Screw M5x14 -8.8-ZNBHL (In6Rd)	1	PC
3	7.312-304.0	Spring washer B 5-FST-A2E DIN 137	1	PC

## 70 Float chest

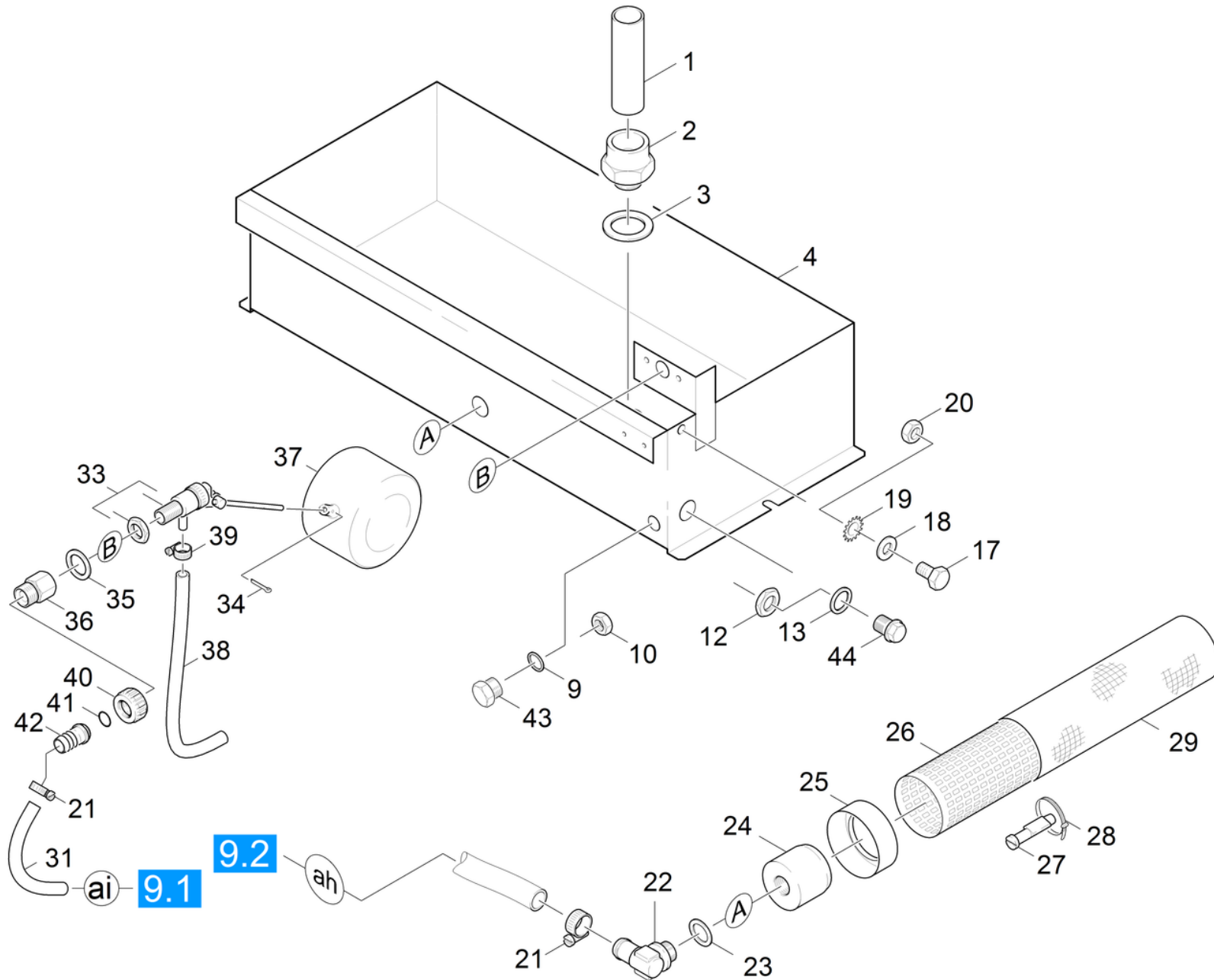
---

<b>POS</b>	<b>Description</b>	<b>Quantity</b>	<b>Unit</b>
71	Float chest	1	PC
72	Float chest	1	PC
73	Tank	1	PC
74	Float valve	1	PC



## 71 Float chest

POS	Article no.	Description	Quantity	Unit	Foot note text
1	5.029-428.0	Tube long 120 mm	1	PC	
2	6.387-444.0	Nipple PVC 32-1"	1	PC	
3	6.362-043.0	Seal 1 Z CSM	1	PC	
4	4.070-285.0	Float tank	1	PC	
5	5.048-098.0	Sheet metal component	1	PC	
6	7.303-076.0	Sheet metal screw ST4,8X13 -St-R2R (In6	4	PC	
7	6.642-043.0	Insulating hose 10	1	m	TO ORDER AS CUT GOODS
8	6.690-077.0	Heating cartridge	1	PC	
9	7.362-007.0	Joint ring A16x20 -Cu DIN 7603	1	PC	
10	6.648-446.0	Locknut M16x1,5 CuZn	1	PC	
11	5.672-124.0	Bracket	1	PC	
12	6.385-672.0	Locknut G 1/2"	1	PC	
13	6.362-128.0	Joint ring 21x28x2	1	PC	
14	6.685-372.0	Screw union	1	PC	
15	5.115-375.0	Washer	1	PC	
17	7.304-538.0	Hexagonal head screw M8x16-A4-70 ISO 40	1	PC	
18	7.312-017.0	Washer 8-A2 ISO 7089	1	PC	
19	7.312-166.0	Toothed lock washer A8,4-FSt-A3E DIN 6797	1	PC	
20	7.311-068.0	Hexagon nut M 8-A2-70 ISO 4032	1	PC	
21	7.373-023.0	Hose clip A 16-27x9-W4 DIN 3017	2	PC	
22	5.443-056.0	Hose stem	1	PC	
23	6.362-358.0	Seal	1	PC	
24	5.409-251.0	Plug nipple	1	PC	
25	6.414-489.0	Cap	1	PC	
26	6.414-490.0	Support body filter	1	PC	
27	4.553-022.0	Piston	1	PC	
28	6.641-463.0	Cable tape	1	PC	
29	6.414-280.0	Filter cartridge 350MY	1	PC	
30	5.443-074.0	Hose stem	1	PC	
31	6.388-719.0	Hose DN17	1	m	TO ORDER AS CUT GOODS
32	6.412-763.0	Float valve	1	PC	



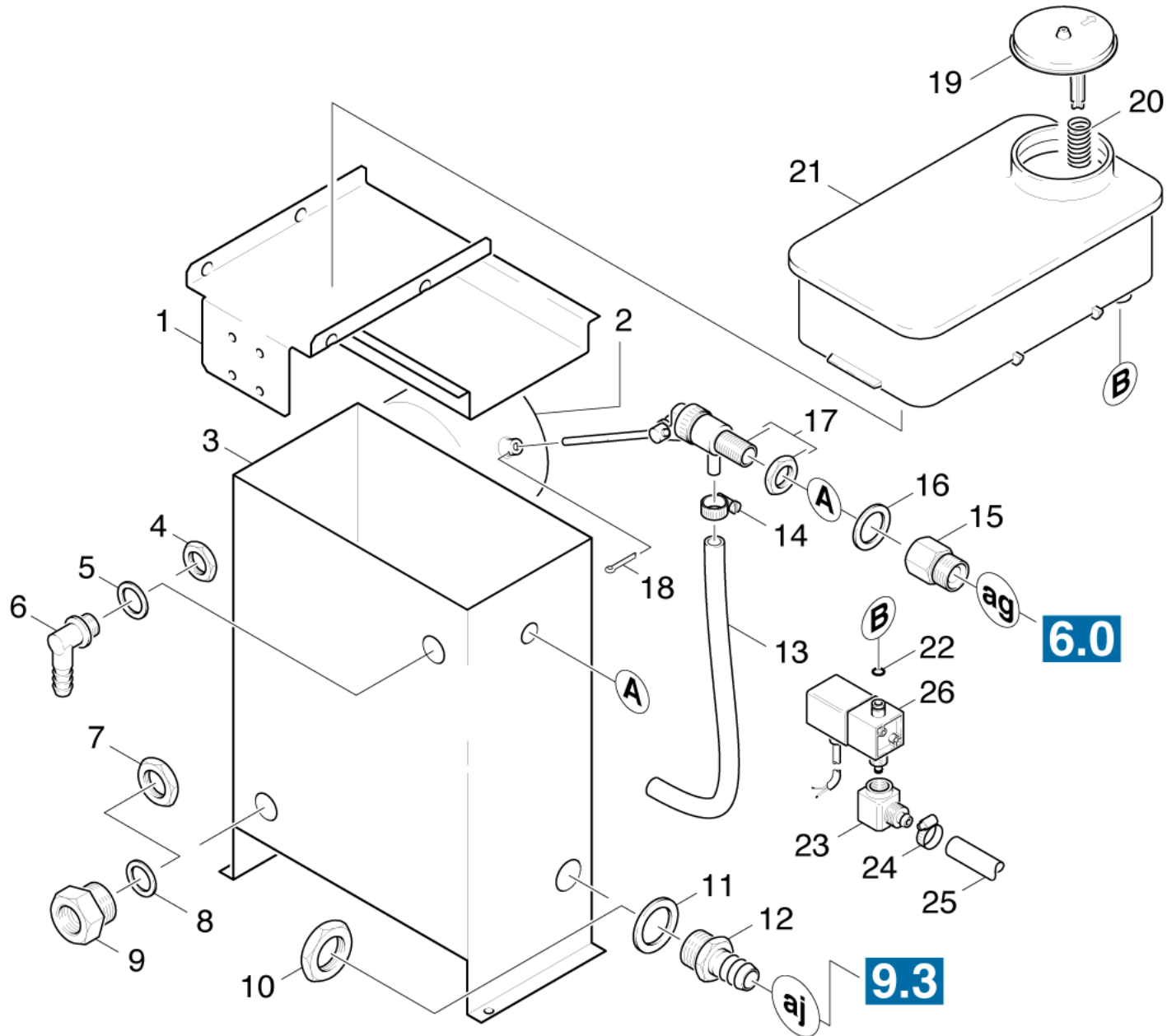
## 72 Float chest

POS	Article no.	Description	Quantity	Unit	Foot note text
1	5.029-428.0	Tube long 120 mm	1	PC	
2	6.387-444.0	Nipple PVC 32-1"	1	PC	
3	6.362-043.0	Seal 1 Z CSM	1	PC	
4	4.070-285.0	Float tank	1	PC	
7	6.642-043.0	Insulating hose 10	1	m	TO ORDER AS CUT GOODS
8	6.690-077.0	Heating cartridge	1	PC	
9	7.362-007.0	Joint ring A16x20 -Cu DIN 7603	1	PC	
10	6.648-446.0	Locknut M16x1,5 CuZn	1	PC	
12	6.385-672.0	Locknut G 1/2"	1	PC	
13	6.362-128.0	Joint ring 21x28x2	1	PC	
17	7.304-538.0	Hexagonal head screw M8x16-A4-70 ISO 40	1	PC	
18	7.312-017.0	Washer 8-A2 ISO 7089	1	PC	
19	7.312-166.0	Toothed lock washer A8,4-FSt-A3E DIN 6797	1	PC	
20	7.311-068.0	Hexagon nut M 8-A2-70 ISO 4032	1	PC	
21	7.373-023.0	Hose clip A 16-27x9-W4 DIN 3017	2	PC	
22	5.443-056.0	Hose stem	1	PC	
23	6.362-358.0	Seal	1	PC	
24	5.409-251.0	Plug nipple	1	PC	
25	6.414-489.0	Cap	1	PC	
26	6.414-490.0	Support body filter	1	PC	
27	4.553-022.0	Piston	1	PC	
28	6.641-463.0	Cable tape	1	PC	
29	6.414-280.0	Filter cartridge 350MY	1	PC	
31	6.388-719.0	Hose DN17	1	m	TO ORDER AS CUT GOODS
33	5.593-004.0	Float valve	1	PC	
34	7.316-431.0	Cotter 1,6x16-CuZn ISO 1234	1	PC	
35	6.362-146.0	Joint ring 17x24x2	1	PC	
36	5.402-615.0	Screw union G 3/4" A / G 3/8"	1	PC	
37	5.585-002.0	Float	1	PC	
38	6.388-782.0	Hose DN 8	1	m	
39	6.388-545.0	Hose clip	1	PC	
40	5.310-173.0	Nut R 3/4"	1	PC	
41	6.362-078.0	O-Ring seal 13,3x2,4	1	PC	

## 72 Float chest

---

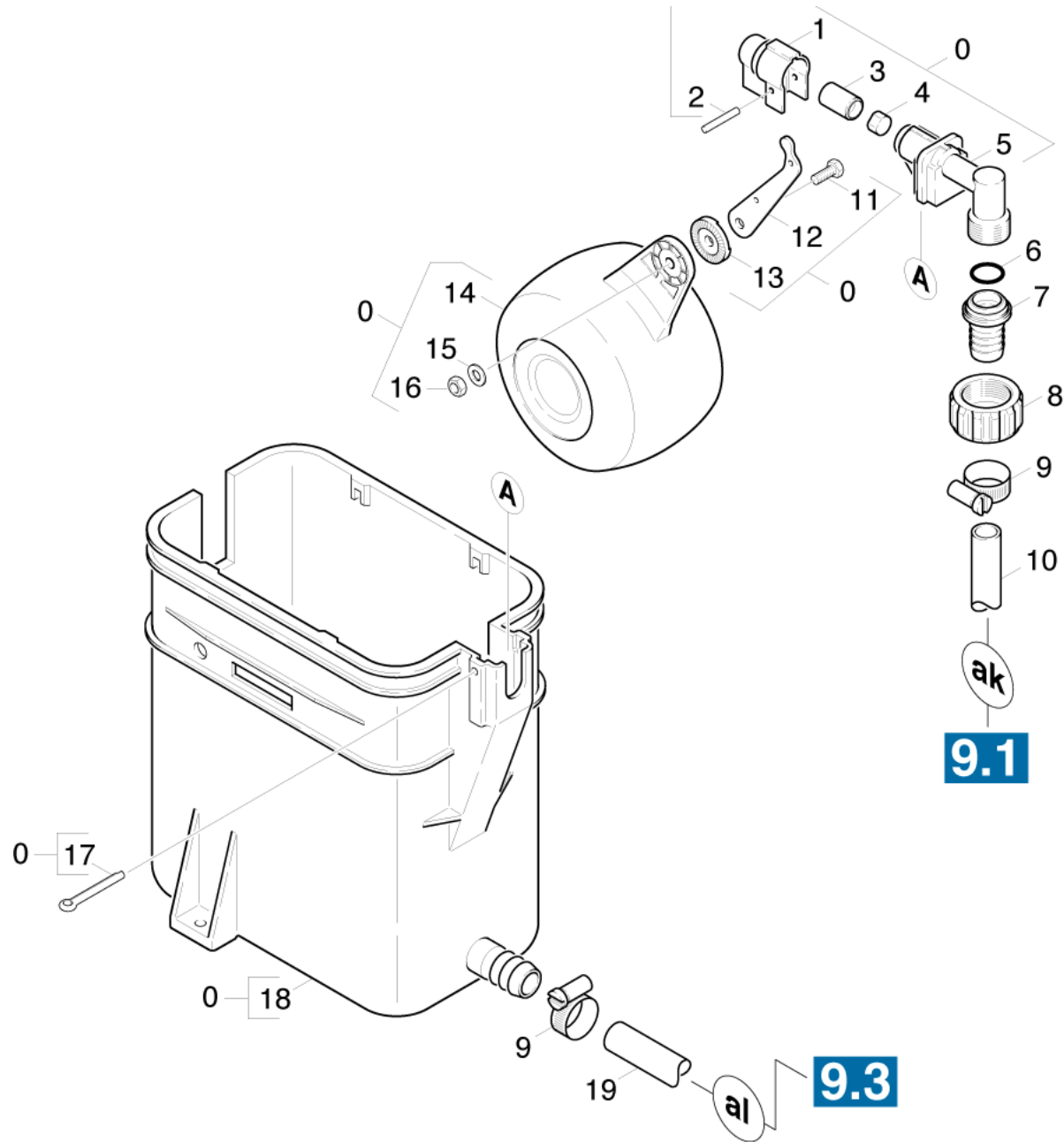
<b>POS</b>	<b>Article no.</b>	<b>Description</b>	<b>Quantity</b>	<b>Unit</b>	<b>Foot note text</b>
42	5.443-282.0	Hose stem	1	PC	
43	7.382-254.0	Screw plug M16x1,5-A-CuZn DIN 7604	1	PC	
44	7.382-141.0	Screw plug G 1/2Ax14-CuZn DIN 910	1	PC	





## 73 Tank

POS	Article no.	Description	Quantity	Unit	Foot note text
1	7.777-999.0	Stockpiling discontinued	1	PC	
2	5.585-002.0	Float	1	PC	
3	4.070-300.0	Tank complete	1	PC	
4	6.310-004.0	Hexagon nut G 1/2"	1	PC	
5	6.362-015.0	Joint ring 21X30X2	1	PC	
6	6.392-290.0	Angle bushing 1/2"	1	PC	
7	6.385-672.0	Locknut G 1/2"	1	PC	
8	6.362-128.0	Joint ring 21x28x2	1	PC	
9	6.685-372.0	Screw union	1	PC	
10	5.311-096.0	Hexagon nut 3/4"	1	PC	
11	7.362-016.0	Joint ring A27x32 -Cu DIN 7603	1	PC	
12	6.386-611.0	Hose stem 3/4" / 3/4"	1	PC	
13	6.388-782.0	Hose DN 8	1	m	TO ORDER AS CUT GOODS
14	6.388-545.0	Hose clip	1	PC	
15	5.402-615.0	Screw union G 3/4" A / G 3/8"	1	PC	
16	6.362-146.0	Joint ring 17x24x2	1	PC	
17	5.593-004.0	Float valve	1	PC	
18	7.316-431.0	Cotter 1,6x16-CuZn ISO 1234	1	PC	
19	5.063-226.0	Cover	1	PC	
20	5.332-001.0	Helical spring	1	PC	
21	4.070-094.0	Tank	1	PC	
22	6.362-176.0	O-Ring seal 6,07x1,78	1	PC	
23	5.443-181.0	Hose stem	1	PC	
24	7.373-019.0	Hose clip A 10-16x9-W4 DIN3017	1	PC	
25	6.388-225.0	Hose DN 7	1	m	TO ORDER AS CUT GOODS
26	6.685-845.0	Solenoid valve	1	PC	



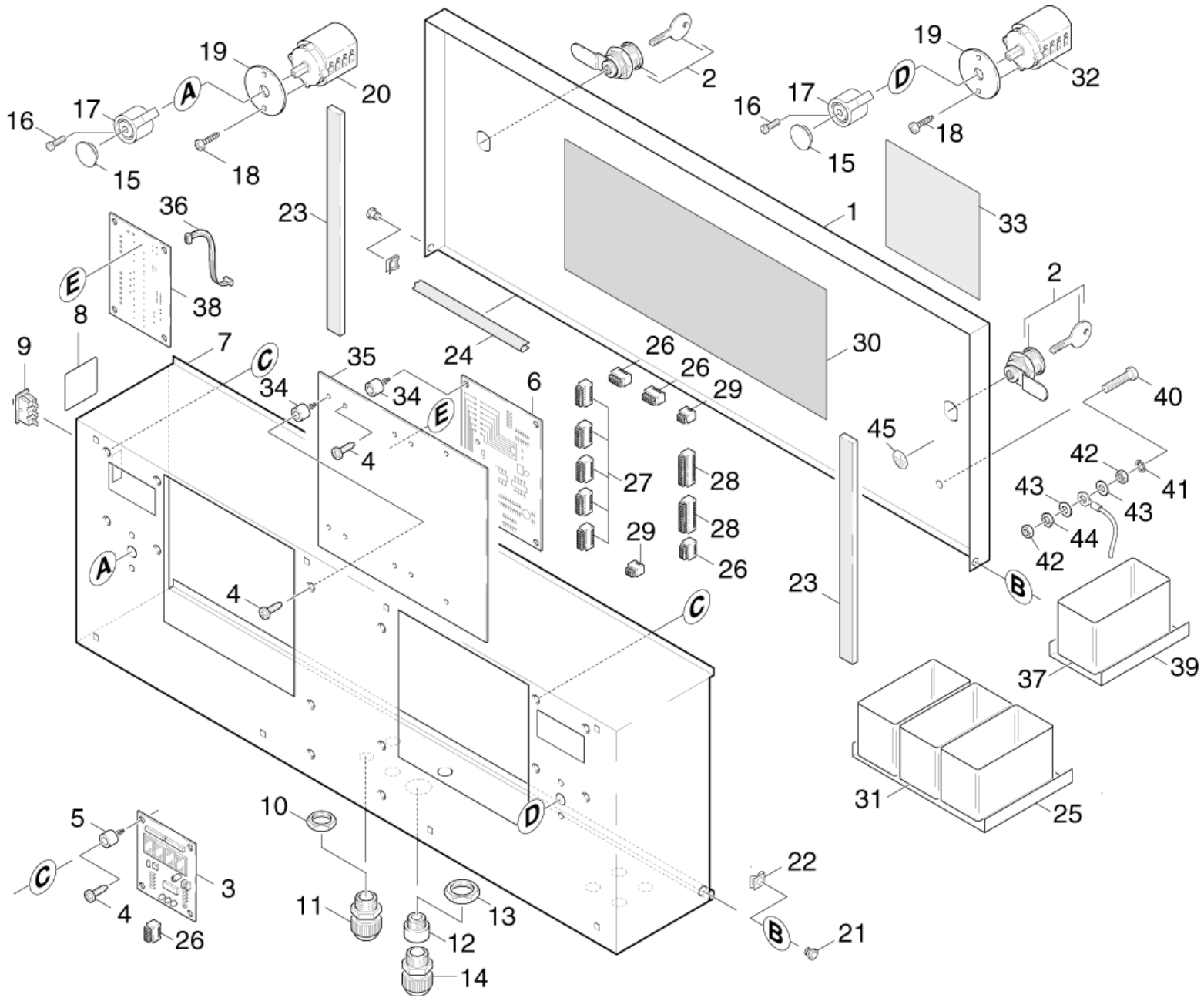
## 74 Float valve

POS	Article no.	Description	Quantity	Unit	Foot note text
0	3.593-060.0	Float valve	1	PC	
1	5.394-066.0	Protection part	1	PC	
2	7.316-004.0	Bolt A 3x25 -CuZn ISO 2340	1	PC	
3	5.584-026.0	Valve pin	1	PC	
4	5.364-095.0	Flat gasket	1	PC	
5	5.587-103.0	Valve housing	1	PC	
6	6.362-078.0	O-Ring seal 13,3x2,4	1	PC	
7	5.443-285.0	Hose stem	1	PC	
8	5.310-173.0	Nut R 3/4"	1	PC	
9	6.388-547.0	Hose clip	1	PC	
10	6.388-719.0	Hose DN17	1	m	
11	7.306-194.0	Screw M6x20 -A2-70 ISO 14583	1	PC	
12	5.481-029.0	Lever	1	PC	
13	5.115-158.0	Washer	1	PC	
14	5.585-024.0	Float	1	PC	
15	7.312-279.0	Washer 6-CuZn ISO 7093-1	1	PC	
16	7.311-422.0	Hexagon nut M 6-1.4305 ISO 10511	1	PC	
17	7.316-432.0	Cotter 4x50 -St-A2E ISO 1234	1	PC	
18	5.070-076.0	Tank	1	PC	
19	6.389-886.0	Hose 19X4	1	m	TO ORDER AS CUT GOODS

## 80 Electric control box

---

<b>POS</b>	<b>Description</b>	<b>Quantity</b>	<b>Unit</b>
81	Electronics coin acceptor	1	PC
82	Electric control box housing	1	PC
83	Electric control box individual parts	1	PC
84	Coin acceptor	1	PC

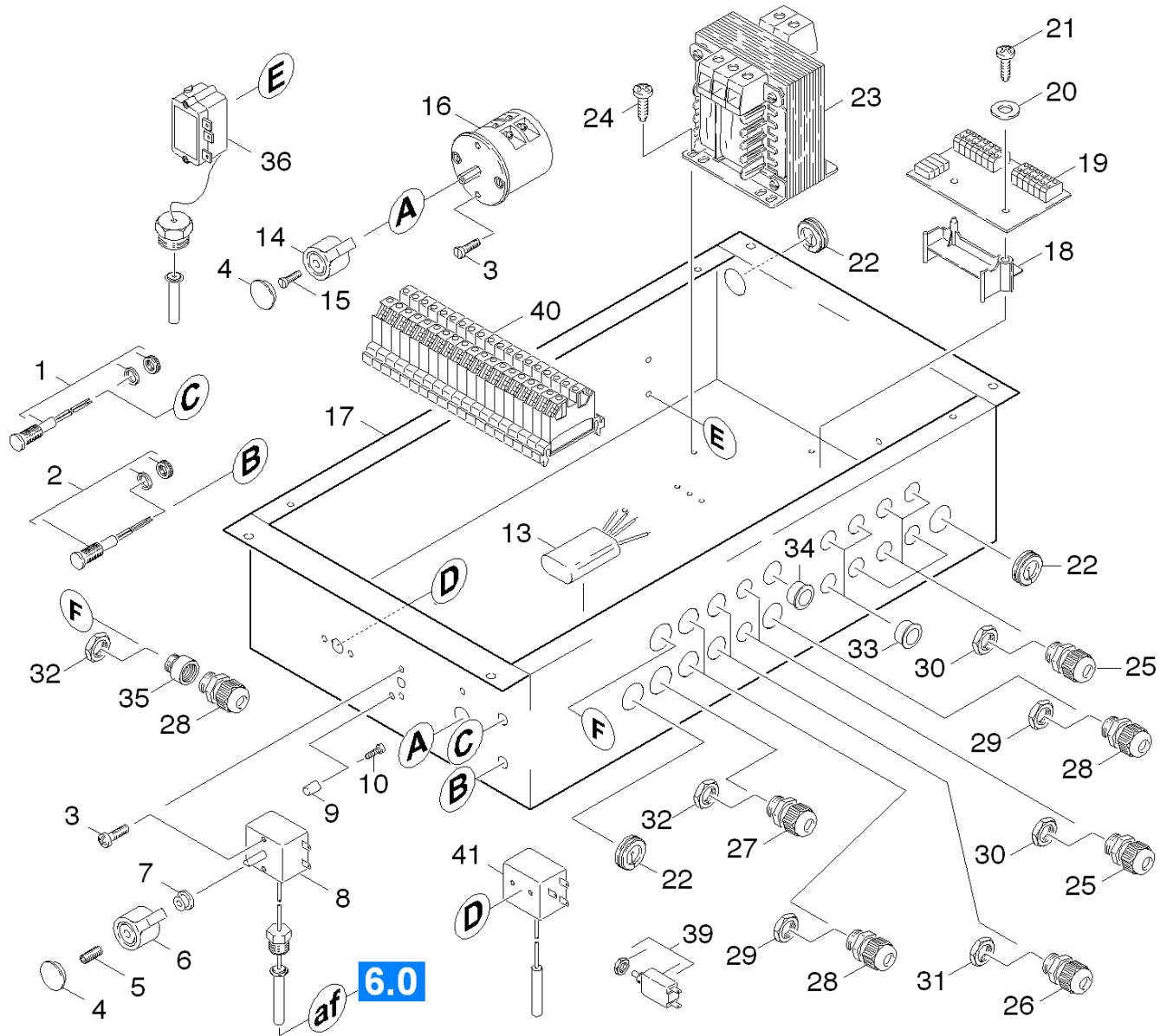


## 81 Electronics coin acceptor

POS	Article no.	Description	Quantity	Unit	Foot note text
1	7.777-999.0	Stockpiling discontinued	1	PC	
2	6.375-472.0	Cylinder lock	2	PC	
3	6.682-425.0	Digital display S1 / S2	2	PC	
4	7.303-006.0	Sheet metal screw ST3,5x 9,5-ST-A2E ISO 7050-C-H	12	PC	
5	6.647-999.0	Distance holder	12	PC	
6	6.682-424.0	Control circuit board S2	1	PC	
7	7.777-999.0	Stockpiling discontinued	1	PC	
8	7.777-999.0	Stockpiling discontinued	1	PC	
9	6.631-705.0	Rocker switch	1	PC	
10	6.641-756.0	Locknut PG 7	8	PC	
11	6.641-278.0	Cable gland PG7	8	PC	
12	6.641-639.0	Adaptor PG16/21	1	PC	
13	6.641-370.0	Locknut PG16-PA DIN 46320	1	PC	
14	6.641-601.0	Cable gland PG21	1	PC	
15	5.132-010.0	Plug	2	PC	
16	7.307-181.0	Threaded pin M5x10-14H-A2E ISO 7434	2	PC	
17	5.321-140.0	HANDLE (SBHDW)	2	PC	
18	6.303-112.0	Screw SPAX3,5X16-ST-A2E	4	PC	
19	5.363-191.0	Joint ring	2	PC	
20	6.631-414.0	Step switch	1	PC	
21	6.373-346.0	Bolt	2	PC	
22	6.343-006.0	Fuse	2	PC	
23	6.273-123.0	Sealing tape 16X6	2	m	TO ORDER AS CUT GOODS
24	6.368-106.0	Edge protection	1	m	TO ORDER AS CUT GOODS
25	7.777-999.0	Stockpiling discontinued	1	PC	
26	6.643-680.0	Strip terminal four-pole	5	PC	
27	6.643-690.0	Strip terminal six-pole	5	PC	
28	6.643-684.0	Strip terminal 10-polig	2	PC	
29	6.643-692.0	Strip terminal two-pole	2	PC	
30	7.777-999.0	Stockpiling discontinued	1	PC	
31	6.393-170.0	Tank 54X108X63	3	PC	
32	6.630-084.0	Step switch	1	PC	
33	5.383-488.0	Label brief description SB HDW S1/S2	1	PC	

## 81 Electronics coin acceptor

POS	Article no.	Description	Quantity	Unit	Foot note text
34	6.647-425.0	Distance holder	8	PC	
35	7.777-999.0	Stockpiling discontinued	1	PC	
36	6.768-296.0	Ribbon cable	2	PC	
37	6.394-039.0	Tank	2	PC	ONLY FOR EL. MPR
38	6.682-919.0	Power supply coin acceptor	2	PC	
39	7.777-999.0	Stockpiling discontinued	2	PC	ONLY FOR EL. MPR
40	7.306-078.0	Screw M5x20 -8.8-R2R (In6Rd)	1	PC	
41	7.312-231.0	Serrated lock washer A5,3 -FSt-A3E DIN6	1	PC	
42	7.311-002.0	Hexagon nut M5 -6-A2E ISO 4032	2	PC	
43	7.312-058.0	Washer 5 -A2 ISO 7089	2	PC	
44	7.313-002.0	Spring washer B 5-FSt-MZN DIN 127	1	PC	
45	6.643-145.0	Label earthing	1	PC	





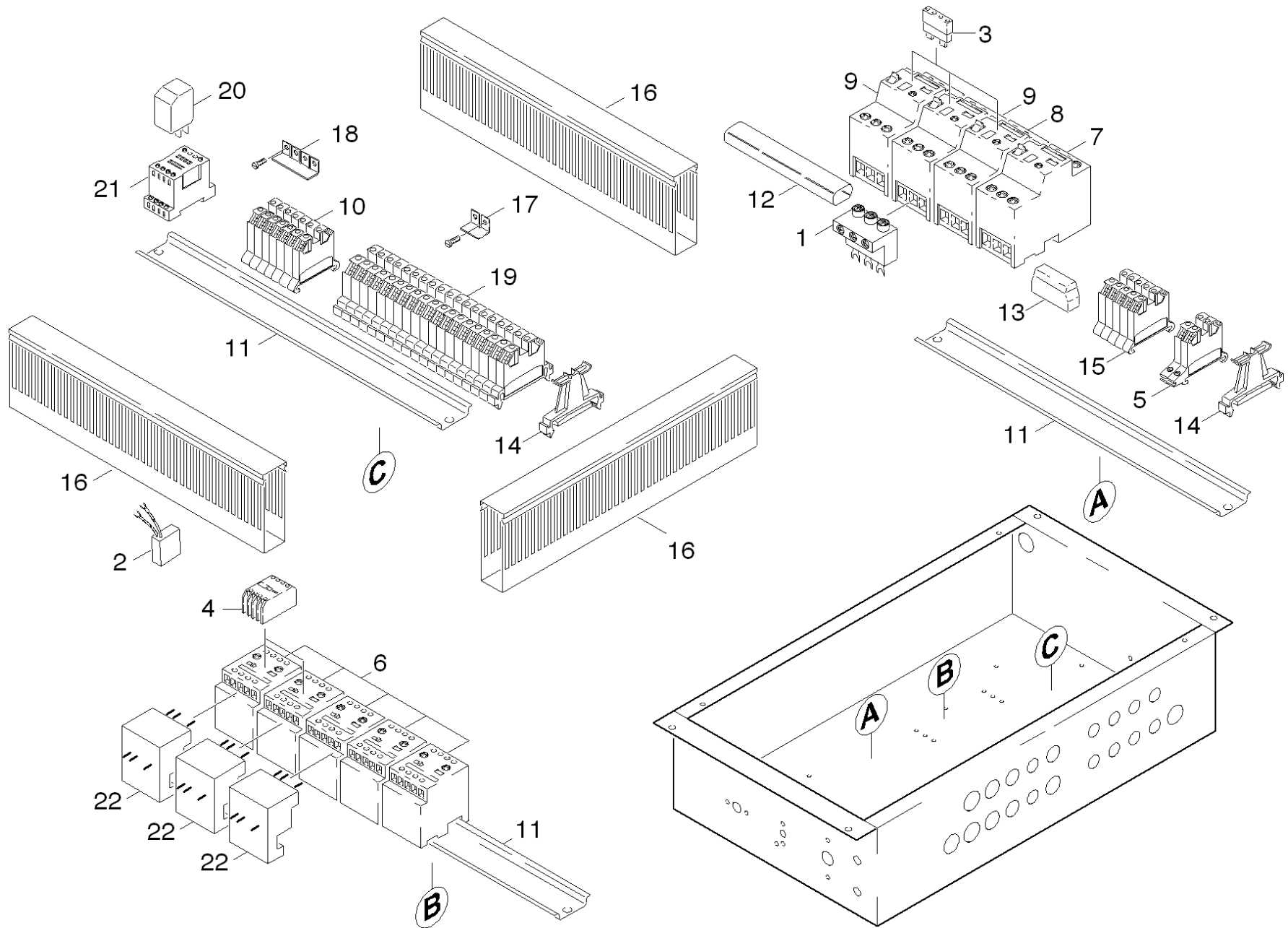
## 82 Electric control box housing

POS	Article no.	Description	Quantity	Unit
1	6.651-184.0	Pilot lamp red	1	PC
2	6.651-220.0	Pilot lamp green	1	PC
3	7.306-236.0	Screw M4x6 -8.8 (In6Rd)	6	PC
4	5.132-010.0	Plug	2	PC
5	7.307-181.0	Threaded pin M5x10-14H-A2E ISO 7434	1	PC
6	5.321-294.0	Handhold	1	PC
7	5.365-152.0	Profile gasket	1	PC
8	6.686-327.0	Thermostat	1	PC
9	5.132-012.0	Plug	1	PC
10	7.777-999.0	Stockpiling discontinued	1	PC
11	6.413-000.0	Thermostat external	1	PC
13	4.828-007.0	Anti-interference filter complete	1	PC
14	5.321-235.0	Handhold	1	PC
15	7.306-415.0	Cylinder head screw M3,5x12-4.8-A2E ISO1207	1	PC
16	6.631-081.0	Switch	1	PC
17	7.777-999.0	Stockpiling discontinued	1	PC
18	5.057-043.0	Support	1	PC
19	6.682-306.0	Circuit board burner	1	PC
20	7.777-999.0	Stockpiling discontinued	1	PC
21	7.303-035.0	Screw M4x30 -St-R2R (In6Rd)	1	PC
22	5.365-109.0	Profile gasket	3	PC
23	6.622-213.0	Control transformer 100 VA	1	PC
24	7.303-030.0	Screw M4x8 -St-P2R (In6Rd)	2	PC
25	6.641-355.0	Cable gland PG9	7	PC
26	6.641-357.0	Cable gland PG11	2	PC
27	6.641-356.0	Cable gland PG16	1	PC
28	6.641-613.0	Cable gland PG13,5	3	PC
29	6.641-369.0	Locknut PG13,5	3	PC
30	6.641-366.0	Locknut PG 9	7	PC
31	6.641-367.0	Locknut PG11	2	PC
32	6.641-370.0	Locknut PG16-PA DIN 46320	2	PC
33	6.368-064.0	Drain plug	3	PC
34	6.368-021.0	Protecting cap 19,6	1	PC

## 82 Electric control box housing

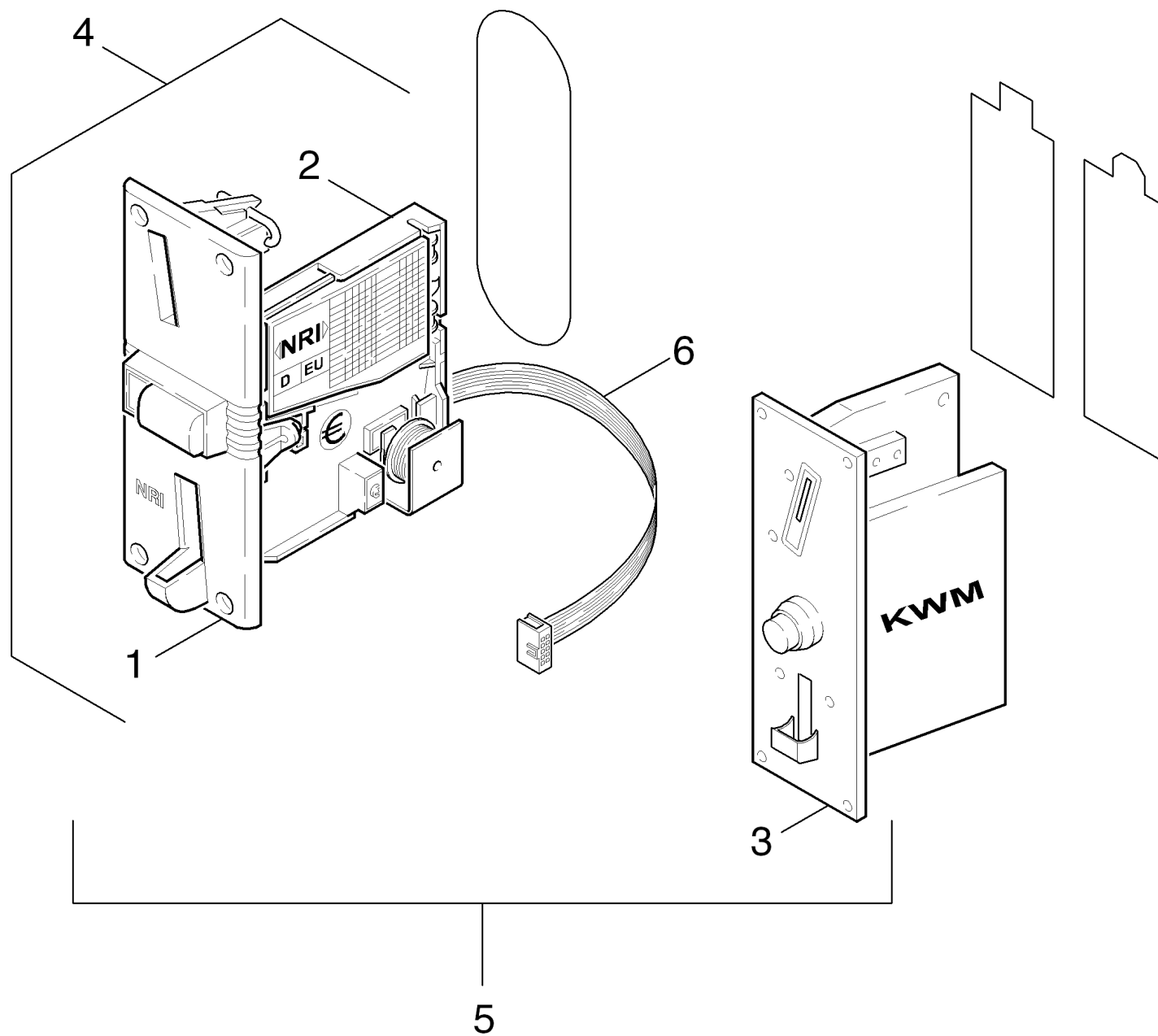
---

<b>POS</b>	<b>Article no.</b>	<b>Description</b>	<b>Quantity</b>	<b>Unit</b>
35	6.641-639.0	Adaptor PG16/21	1	PC
36	6.686-328.0	Thermostat fixed adjusted	1	PC
38	6.641-601.0	Cable gland PG21	1	PC
39	6.635-166.0	Safety switch 1,5A	1	PC
40		Strip terminal SBHDW	1	PC
41	6.413-000.0	Thermostat external	1	PC



## 83 Electric control box individual parts

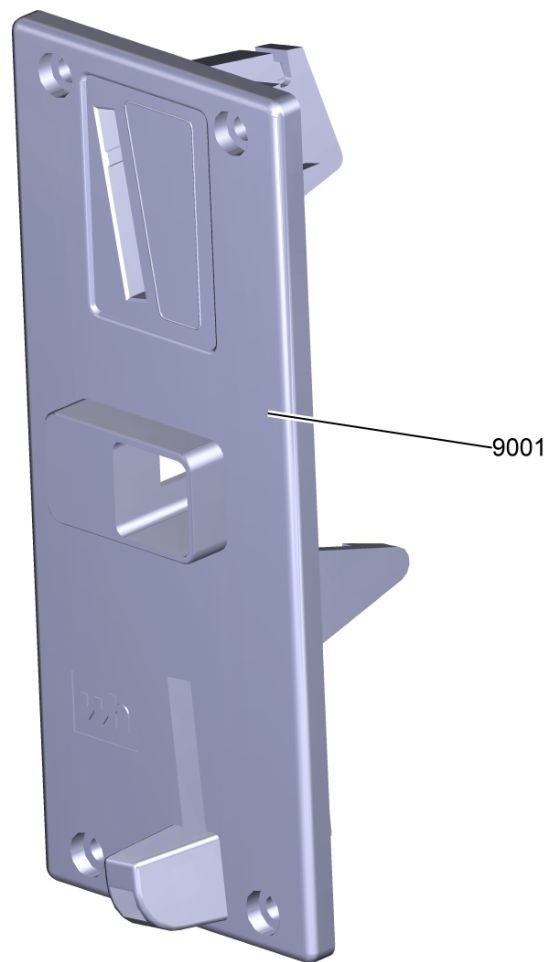
POS	Article no.	Description	Quantity	Unit	Foot note text
1	6.633-586.0	Connection block BK 25/3 - PKZ 0	1	PC	
2	6.641-802.0	Anti-interference element 24V	1	PC	
3	6.631-835.0	Auxiliary switch 1S + 1OE	3	PC	
4	6.632-251.0	Contact block 22 GR0	1	PC	QUANTITY ACCORDING TO DEMAND
5	6.643-115.0	Modular terminal	2	PC	
6	6.632-301.0	Main contactor	5	PC	
7	6.631-829.0	Motor protecting switch	1	PC	
8	6.631-827.0	Motor protecting switch 2,5-4,0A	1	PC	
9	6.631-828.0	Motor protecting switch 4,0-6,3A	2	PC	
10	6.643-105.0	Modular terminal earthing gn/ge	7	PC	VERSION 1
10	6.644-653.0	Modular terminal earthing gn/ge	7	PC	VERSION 2
11	7.233-311.0	Mounting rail TH 35-15 -ST EN 60715	1	m	TO ORDER AS CUT GOODS
12	6.633-369.0	Busbar 3-phase-current 4 x 45mm GV2	1	PC	
13	6.633-394.0	Covering cap	1	PC	
14	6.643-087.0	End clamp	2	PC	
15	6.643-116.0	Modular terminal	5	PC	
16	6.641-533.0	Cable conduit 80x25	1	m	TO ORDER AS CUT GOODS
17	6.643-088.0	Brigde 2	3	PC	VERSION 1
17	6.644-654.0	Brigde 2	3	PC	VERSION 2
18	6.643-090.0	Brigde 4	1	PC	
19	6.643-104.0	Modular terminal	22	PC	VERSION 1
19	6.644-652.0	Modular terminal	22	PC	VERSION 2
20	6.633-262.0	Miniature relay	1	PC	
21	6.633-282.0	Relay base	1	PC	
22	6.633-418.0	Connector 3-phase-current motor protecting switch GV2	3	PC	



## 84 Coin acceptor

---

<b>POS</b>	<b>Article no.</b>	<b>Description</b>	<b>Quantity</b>	<b>Unit</b>	<b>Remark</b>
1	6.768-024.0	Front plate WH Berlin	2	PC	WH Berlin
1	6.768-332.0	Front plate NRI MPr	2	PC	NRI
2	7.777-999.0	Stockpiling discontinued	2	PC	use only pos.4
3	7.777-999.0	Stockpiling discontinued	2	PC	use only pos.5
4	6.768-021.0	Coin acceptor electronic	2	PC	included front plate
5	6.768-021.0	Coin acceptor electronic	1	PC	included front plate
6	6.768-296.0	Ribbon cable	1	PC	

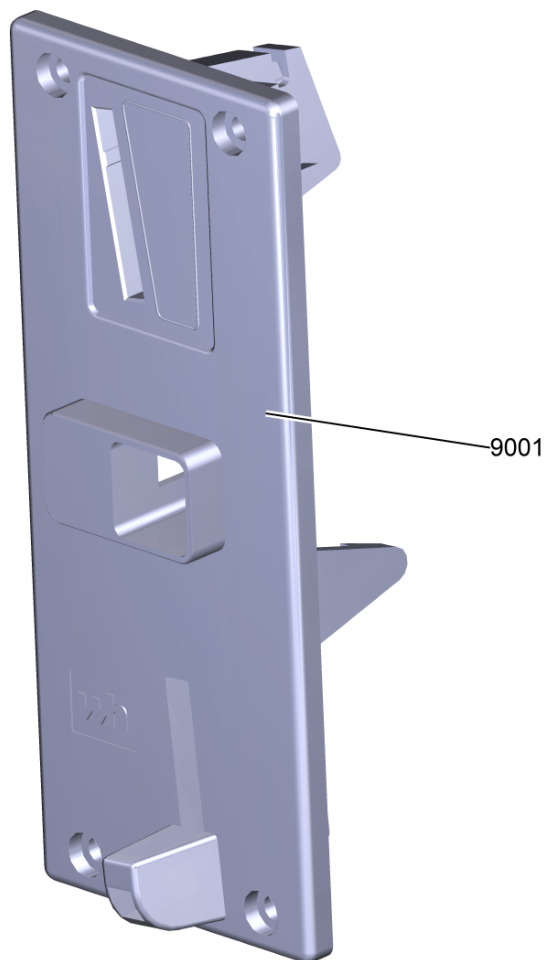


4 Coin acceptor electronic (6.768-021.0)

---

POS	Article no.	Description	Quantity	Unit
9001	6.768-024.0	Front plate WH Berlin	1	PC





5 Coin acceptor electronic (6.768-021.0)

---

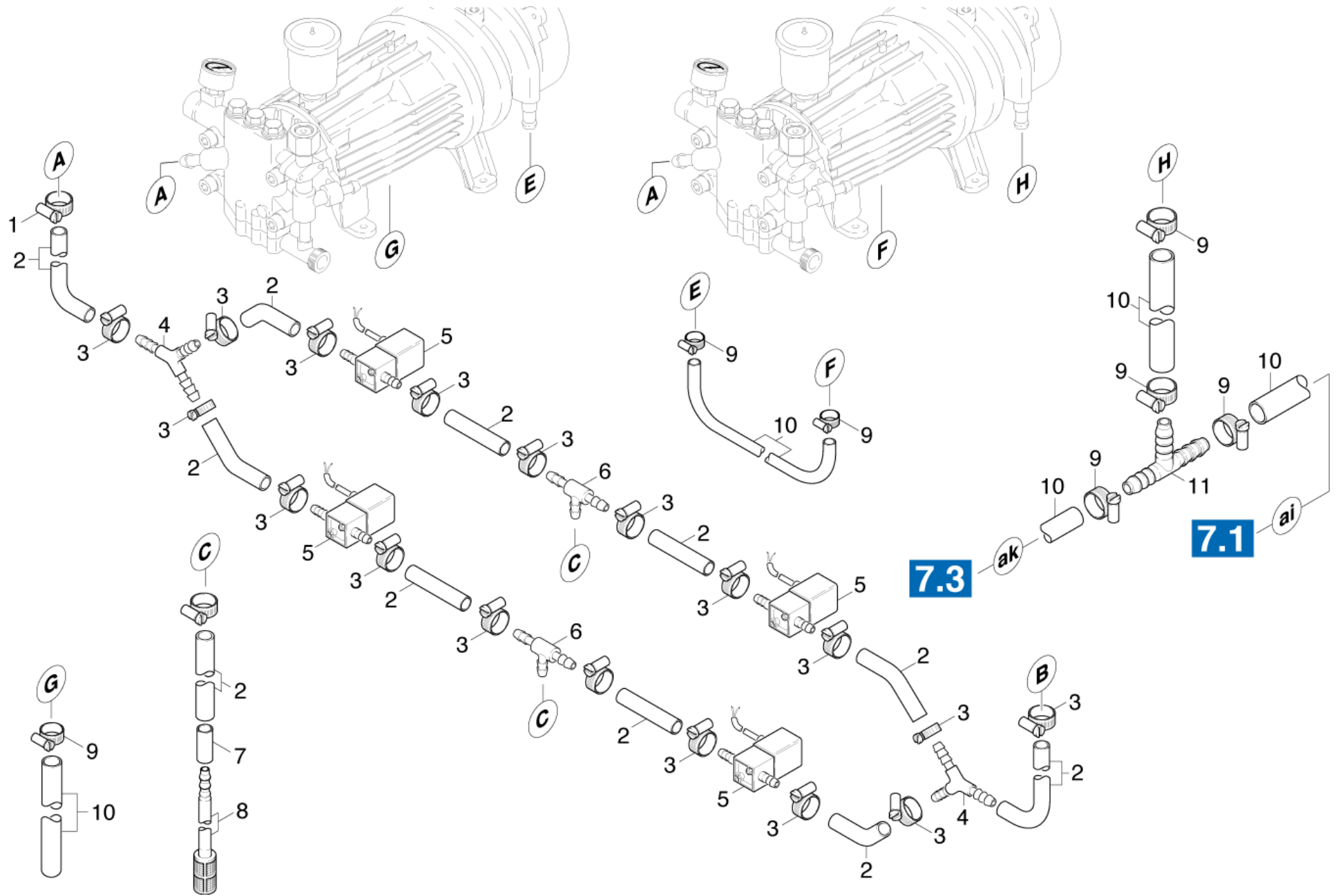
<b>POS</b>	<b>Article no.</b>	<b>Description</b>	<b>Quantity</b>	<b>Unit</b>
9001	6.768-024.0	Front plate WH Berlin	1	PC

---

## 90 Piping

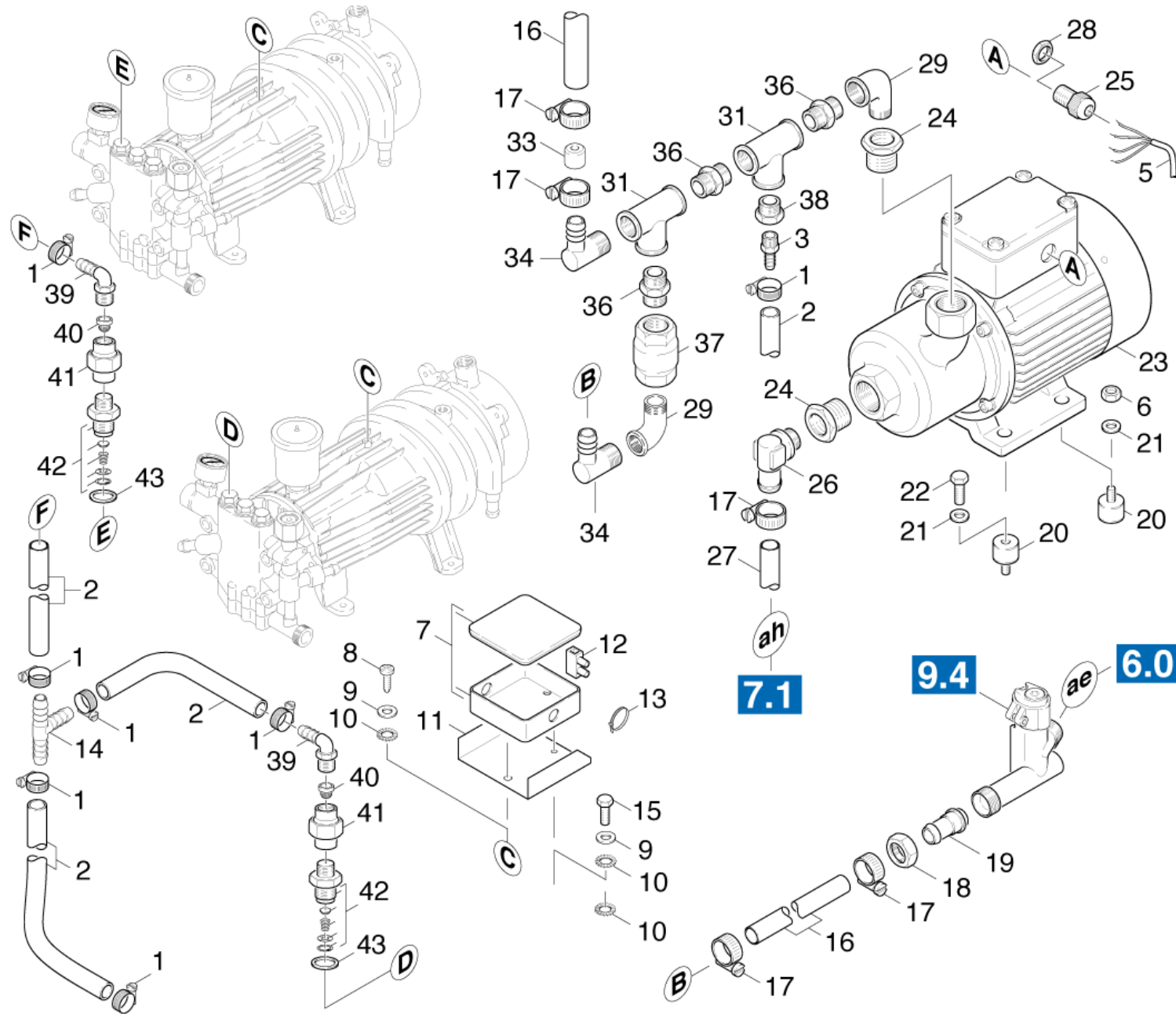
---

<b>POS</b>	<b>Description</b>	<b>Quantity</b>	<b>Unit</b>
91	Piping	1	PC
92	Piping centrifugal pump	1	PC
93	Distributor	1	PC
94	Safety system	1	PC



## 91 Piping

POS	Article no.	Description	Quantity	Unit	Foot note text
1	7.373-019.0	Hose clip A 10-16x9-W4 DIN3017	1	PC	
2	6.388-225.0	Hose DN 7	1	m	TO ORDER AS CUT GOODS
3	7.373-017.0	Hose clip A-8-12x9 -W4 DIN3017-1	18	PC	
4	6.388-761.0	Y-Bushing 8	2	PC	
5	6.686-114.0	Solenoid valve	4	PC	
6	6.389-606.0	T-Piece 8	2	PC	
7	5.025-747.0	Tube	2	PC	
8	6.414-136.0	Filter	2	PC	
9	7.373-023.0	Hose clip A 16-27x9-W4 DIN 3017	1	PC	
10	6.388-719.0	Hose DN17	1	m	TO ORDER AS CUT GOODS
11	6.388-397.0	T-Hose nozzle 16-16-16	1	PC	



## 92 Piping centrifugal pump

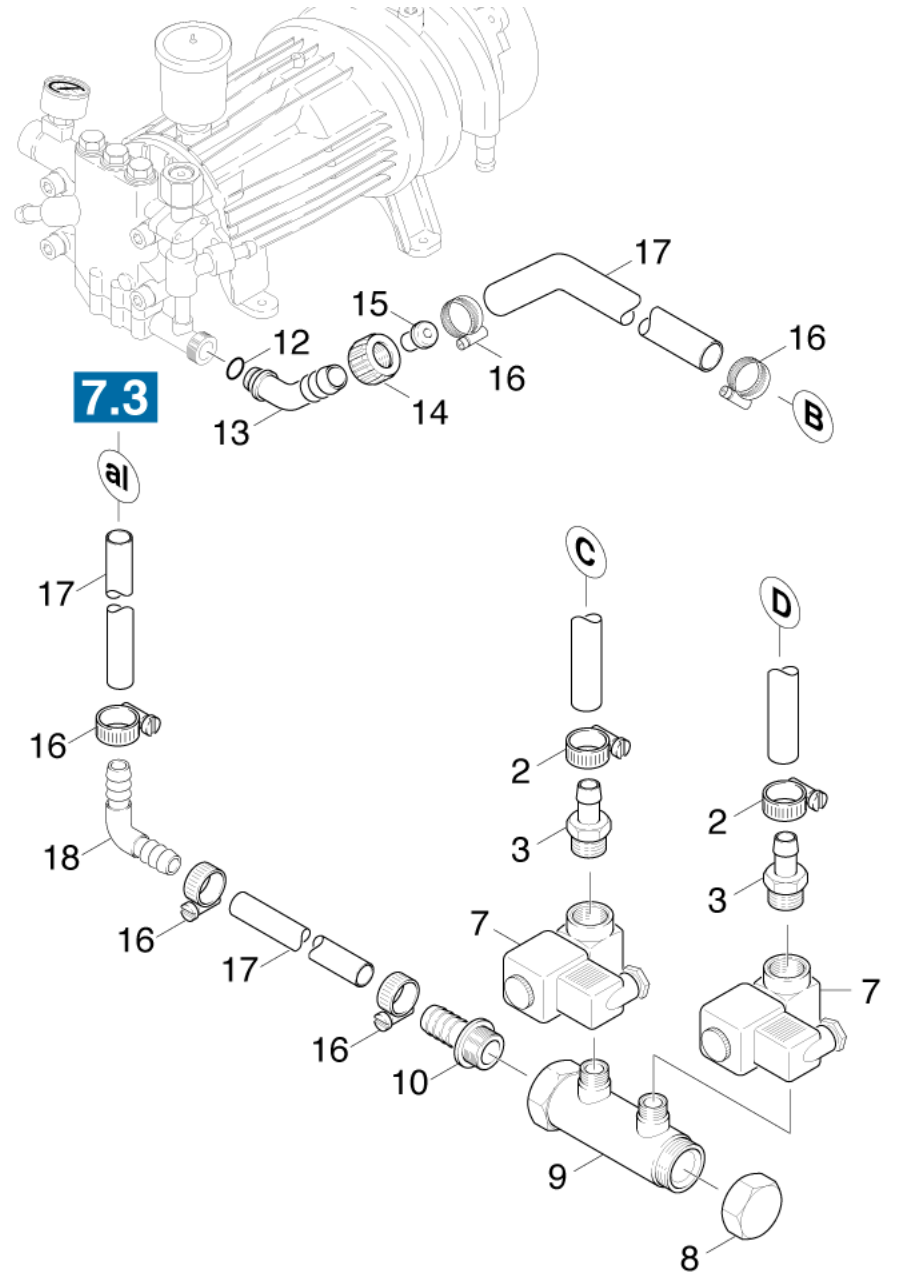
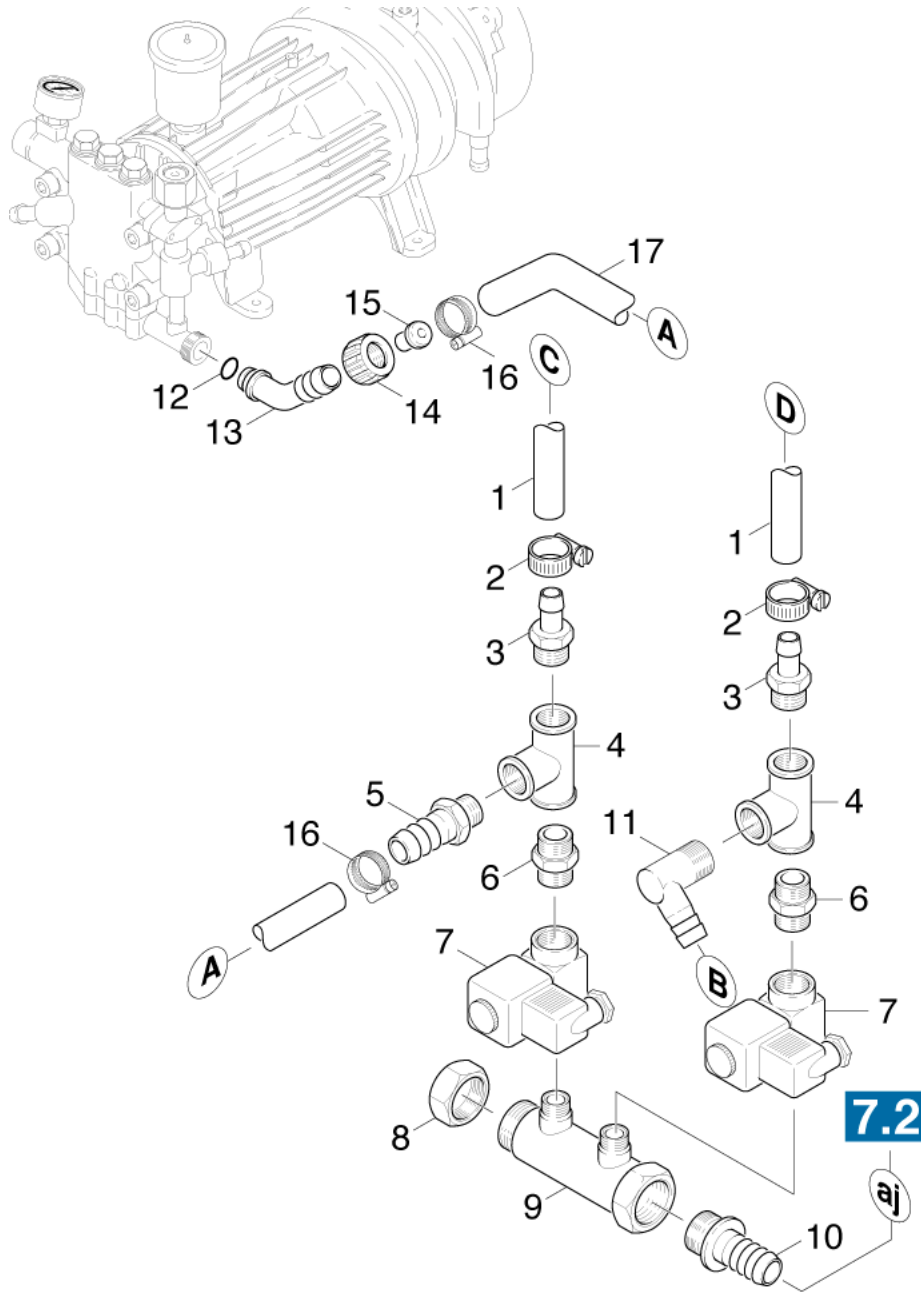
POS	Article no.	Description	Quantity	Unit	Foot note text
1	6.388-545.0	Hose clip	8	PC	
2	6.388-782.0	Hose DN 8	1	m	TO ORDER AS CUT GOODS
3	6.388-615.0	Hose stem	1	PC	
5	7.777-999.0	Stockpiling discontinued	1	PC	
6	7.311-422.0	Hexagon nut M 6-1.4305 ISO 10511	2	PC	
7	6.645-016.0	Distribution box	2	PC	
8	7.303-038.0	Screw M5x12 -St-P2R (In6Rd)	2	PC	
9	7.312-058.0	Washer 5 -A2 ISO 7089	4	PC	
10	7.312-231.0	Serrated lock washer A5,3 -FSt-A3E DIN6	6	PC	
11	5.047-371.0	Sheet metal component	2	PC	
12	6.643-151.0	Strip terminal one-pole 16mm <sup>2</sup>	2	ZST	
13	6.641-463.0	Cable tape	4	PC	
14	6.389-606.0	T-Piece 8	1	PC	
15	7.306-158.0	Cylinder head screw M 5x20-A4-70 ISO 47	2	PC	
16	6.388-719.0	Hose DN17	1	m	TO ORDER AS CUT GOODS
17	7.373-023.0	Hose clip A 16-27x9-W4 DIN 3017	24	PC	
18	7.383-113.0	Union nut BLL-15-St-A2K DIN3870	1	PC	
19	5.401-198.0	Screw connector part	1	PC	
20	6.339-165.0	Rubber buffer D20	4	PC	
21	7.312-045.0	Washer 6-200HV-P4E ISO 7089	4	PC	
22	7.306-193.0	Screw M6x16 -A2-70 (In6Rd)	2	PC	
23	6.473-394.0	Centrifugal pump	1	PC	
24	6.387-871.0	Reducing nipple N4-1"x1/2"	2	PC	
25	6.641-357.0	Cable gland PG11	1	PC	
26	5.443-056.0	Hose stem	1	PC	
27	6.389-886.0	Hose 19X4	1	m	TO ORDER AS CUT GOODS
28	6.641-367.0	Locknut PG11	1	PC	
29	6.387-877.0	Angle A4-1/2"-2.1096	2	PC	
31	6.387-876.0	T-Piece 1/2"-Rotguss	2	PC	
33	5.665-013.0	Throttle	1	PC	
34	5.443-191.0	Hose stem	2	PC	
36	6.387-878.0	Double nipple N8-1/2"-2.1096	3	PC	PART AVAILABLE UPON REQUEST
37	6.412-576.0	Check valve	1	PC	

## 92 Piping centrifugal pump

---

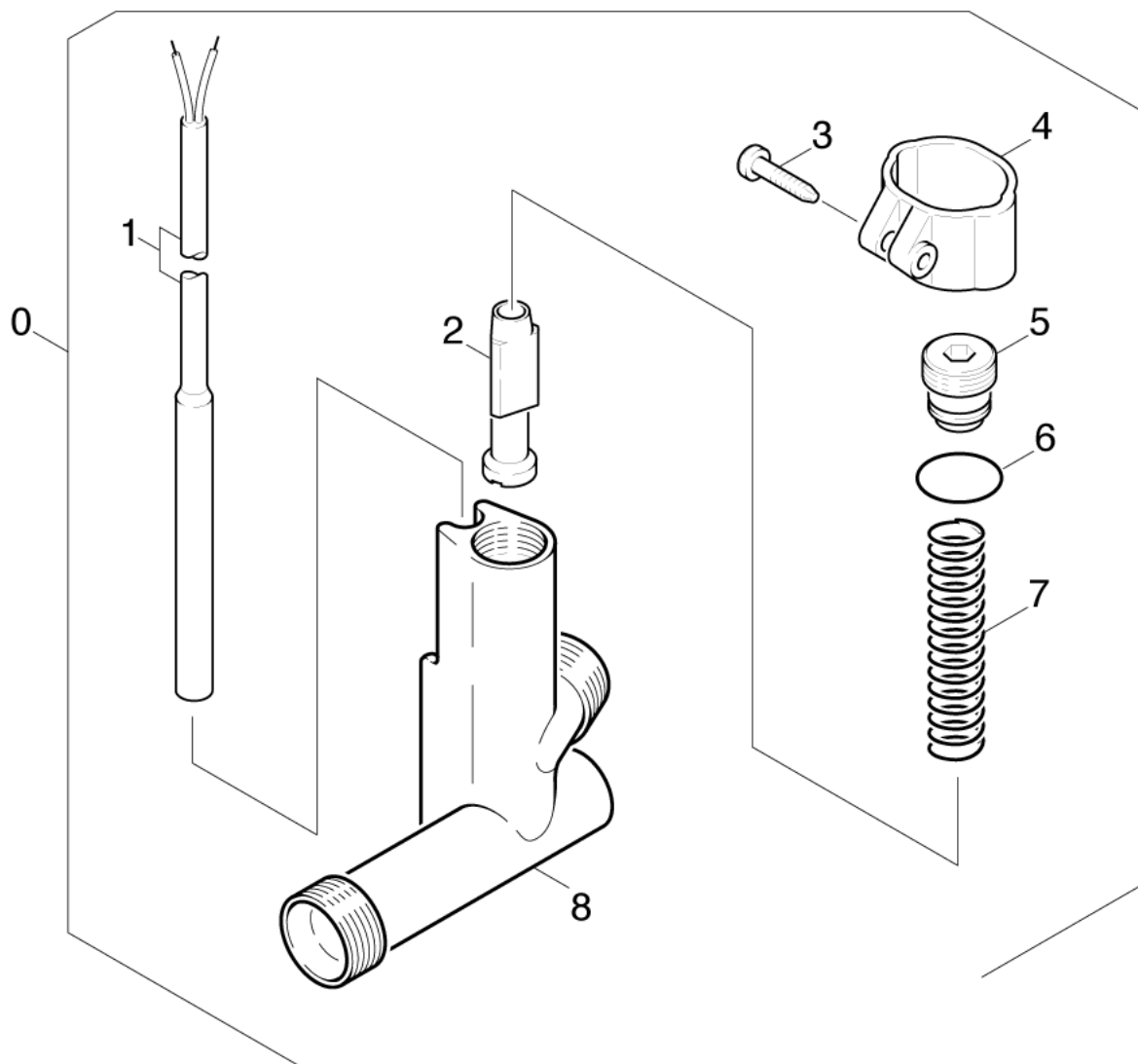
<b>POS</b>	<b>Article no.</b>	<b>Description</b>	<b>Quantity</b>	<b>Unit</b>	<b>Foot note text</b>
38	6.387-912.0	Reducing nipple N4-1/2"x1/4"-2.1096	1	PC	
39	6.388-423.0	Angle bushing 1/4"	2	PC	
40	6.414-172.0	Strainer	2	PC	
41	6.386-653.0	Screw connector	2	PC	
42	4.580-011.0	Check valve	2	PC	
43	7.362-007.0	Joint ring A16x20 -Cu DIN 7603	2	PC	





## 93 Distributor

POS	Article no.	Description	Quantity	Unit	Foot note text
1	6.388-345.0	Hose DN13	1	m	TO ORDER AS CUT GOODS
2	6.388-545.0	Hose clip	4	PC	
3	6.388-443.0	Hose stem	4	PC	
4	6.387-876.0	T-Piece 1/2"-Rotguss	2	PC	
5	5.443-301.0	Hose stem	1	PC	
6	6.387-878.0	Double nipple N8-1/2"-2.1096	2	PC	PART AVAILABLE UPON REQUEST
7	6.685-820.0	Solenoid valve 2/2	4	PC	
8	6.387-982.0	Cap T1-1-CUZN	2	PC	
9	6.387-958.0	Distributor 1"x1/2"	2	PC	
10	6.388-696.0	Hose stem 1"	2	PC	
11	5.443-191.0	Hose stem	1	PC	
12	6.362-078.0	O-Ring seal 13,3x2,4	2	PC	
13	5.443-211.0	Hose stem	2	PC	
14	5.310-062.0	Nut	2	PC	
15	5.112-595.0	Bush SB-HDW S1/S2	2	PC	
16	7.373-023.0	Hose clip A 16-27x9-W4 DIN 3017	2	PC	
17	6.389-886.0	Hose 19X4	1	m	TO ORDER AS CUT GOODS
18	6.388-626.0	Elbow connector	1	PC	



## 94 Safety system

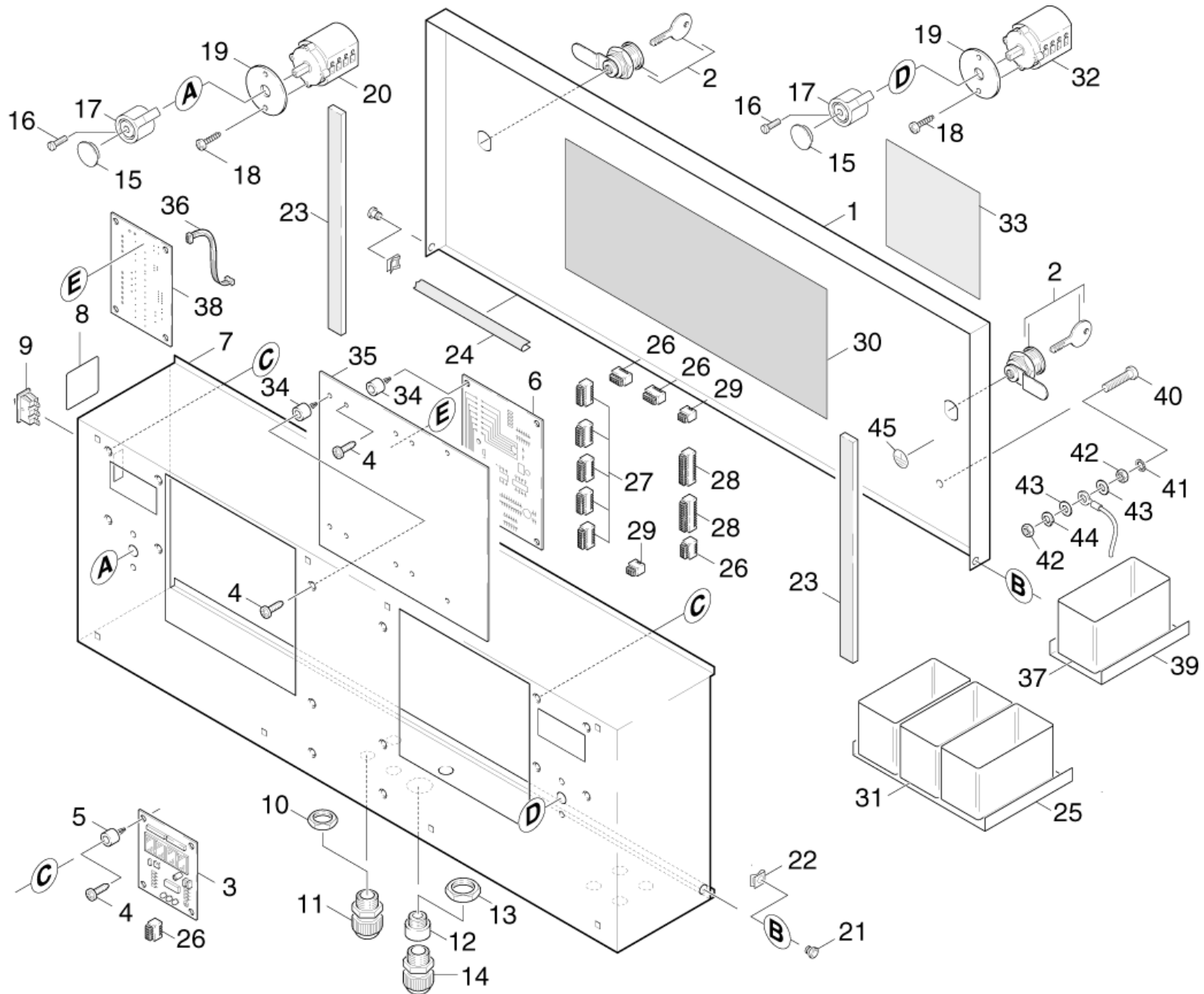
---

<b>POS</b>	<b>Article no.</b>	<b>Description</b>	<b>Quantity</b>	<b>Unit</b>
0	4.749-130.0	Safety system	1	PC
1	6.631-224.0	Reed switch	1	PC
2	4.553-022.0	Piston	1	PC
3	6.303-122.0	M4 .2X13 DIN 7981 TORX T15 PAN HD HI/LO	1	PC
4	5.041-076.0	Clamp	1	PC
5	5.305-162.0	Shaped screw	1	PC
6	6.362-482.0	O-Ring seal 10 x 1,5-NBR 70	1	PC
7	5.332-057.0	Helical spring	1	PC
8	5.060-479.0	Housing	1	PC

## 100 Electronics coin acceptor

---

<b>POS</b>	<b>Description</b>	<b>Quantity</b>	<b>Unit</b>
101	Electronics coin acceptor	1	PC
102	Coin acceptor	1	PC



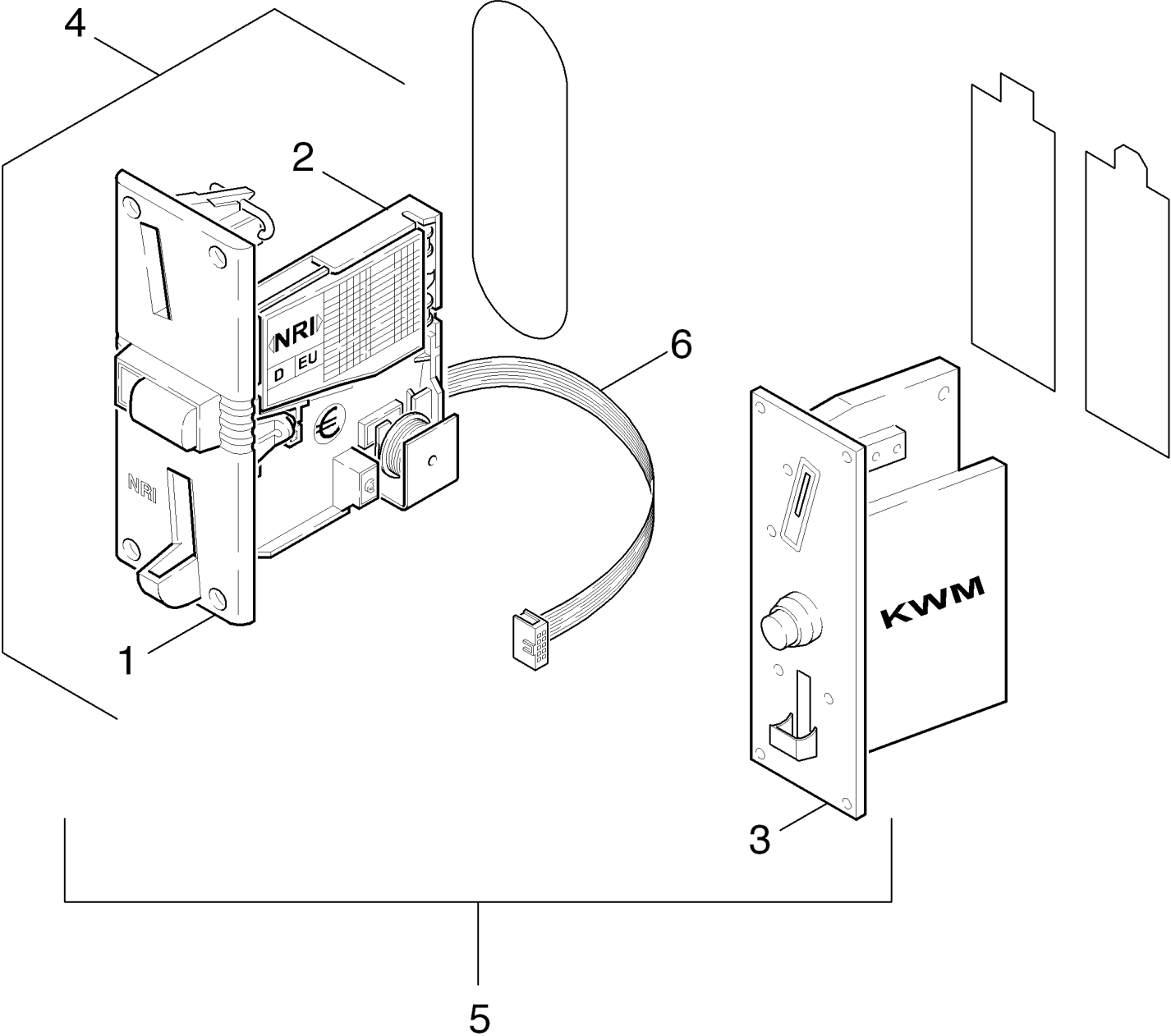
## 101 Electronics coin acceptor

POS	Article no.	Description	Quantity	Unit	Foot note text
1	7.777-999.0	Stockpiling discontinued	1	PC	
2	6.375-472.0	Cylinder lock	2	PC	
3	6.682-425.0	Digital display S1 / S2	2	PC	
4	7.303-006.0	Sheet metal screw ST3,5x 9,5-ST-A2E ISO 7050-C-H	12	PC	
5	6.647-999.0	Distance holder	12	PC	
6	6.682-424.0	Control circuit board S2	1	PC	
7	7.777-999.0	Stockpiling discontinued	1	PC	
8	7.777-999.0	Stockpiling discontinued	1	PC	
9	6.631-705.0	Rocker switch	1	PC	
10	6.641-756.0	Locknut PG 7	8	PC	
11	6.641-278.0	Cable gland PG7	8	PC	
12	6.641-639.0	Adaptor PG16/21	1	PC	
13	6.641-370.0	Locknut PG16-PA DIN 46320	1	PC	
14	6.641-601.0	Cable gland PG21	1	PC	
15	5.132-010.0	Plug	2	PC	
16	7.307-181.0	Threaded pin M5x10-14H-A2E ISO 7434	2	PC	
17	5.321-140.0	HANDLE (SBHDW)	2	PC	
18	6.303-112.0	Screw SPAX3,5X16-ST-A2E	4	PC	
19	5.363-191.0	Joint ring	2	PC	
20	6.631-414.0	Step switch	1	PC	
21	6.373-346.0	Bolt	2	PC	
22	6.343-006.0	Fuse	2	PC	
23	6.273-123.0	Sealing tape 16X6	2	m	TO ORDER AS CUT GOODS
24	6.368-106.0	Edge protection	1	m	TO ORDER AS CUT GOODS
25	7.777-999.0	Stockpiling discontinued	1	PC	
26	6.643-680.0	Strip terminal four-pole	5	PC	
27	6.643-690.0	Strip terminal six-pole	5	PC	
28	6.643-684.0	Strip terminal 10-polig	2	PC	
29	6.643-692.0	Strip terminal two-pole	2	PC	
30	7.777-999.0	Stockpiling discontinued	1	PC	
31	6.393-170.0	Tank 54X108X63	3	PC	
32	6.630-084.0	Step switch	1	PC	
33	5.383-488.0	Label brief description SB HDW S1/S2	1	PC	

## 101 Electronics coin acceptor

POS	Article no.	Description	Quantity	Unit	Foot note text
34	6.647-425.0	Distance holder	8	PC	
35	7.777-999.0	Stockpiling discontinued	1	PC	
36	6.768-296.0	Ribbon cable	2	PC	
37	6.394-039.0	Tank	2	PC	ONLY FOR EL. MPR
38	6.682-919.0	Power supply coin acceptor	2	PC	
39	7.777-999.0	Stockpiling discontinued	2	PC	ONLY FOR EL. MPR
40	7.306-078.0	Screw M5x20 -8.8-R2R (In6Rd)	1	PC	
41	7.312-231.0	Serrated lock washer A5,3 -FSt-A3E DIN6	1	PC	
42	7.311-002.0	Hexagon nut M5 -6-A2E ISO 4032	2	PC	
43	7.312-058.0	Washer 5 -A2 ISO 7089	2	PC	
44	7.313-002.0	Spring washer B 5-FSt-MZN DIN 127	1	PC	
45	6.643-145.0	Label earthing	1	PC	

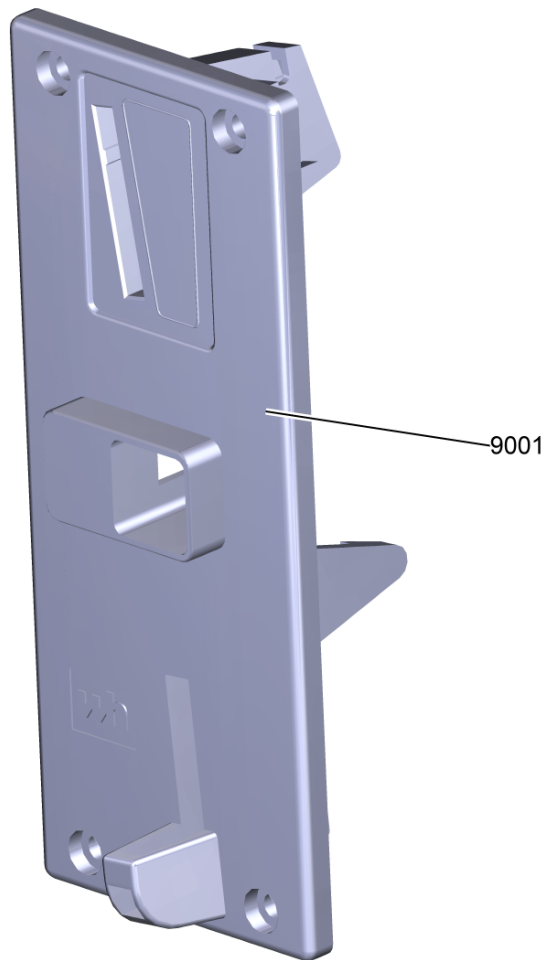




## 102 Coin acceptor

---

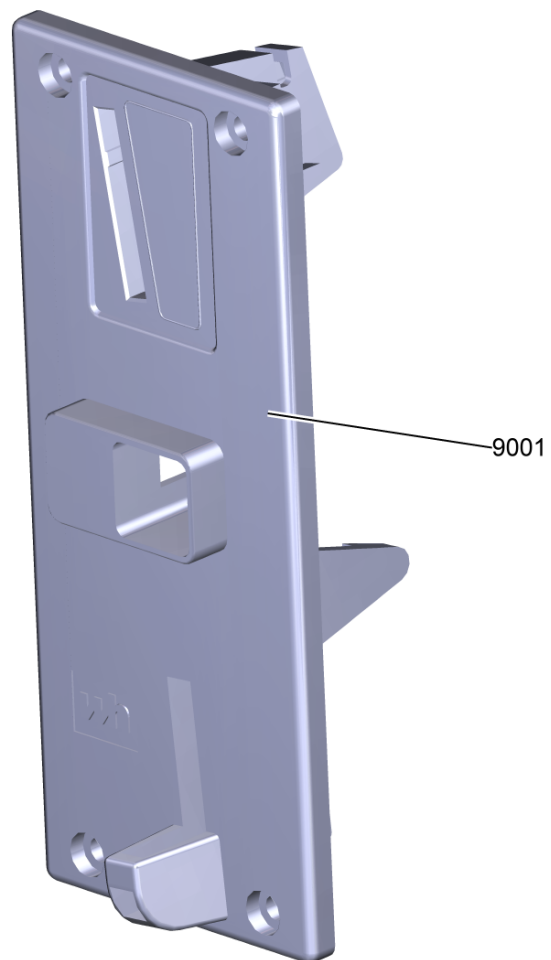
POS	Article no.	Description	Quantity	Unit	Remark
1	6.768-024.0	Front plate WH Berlin	2	PC	
1	6.768-332.0	Front plate NRI MPr	2	PC	NRI
2	7.777-999.0	Stockpiling discontinued	2	PC	use only pos.4
3	7.777-999.0	Stockpiling discontinued	2	PC	use only pos.5
4	6.768-021.0	Coin acceptor electronic	2	PC	
5	6.768-021.0	Coin acceptor electronic	2	PC	included front plate
6	6.768-289.0	Cable coin acceptor	2	PC	



4 Coin acceptor electronic (6.768-021.0)

---

POS	Article no.	Description	Quantity	Unit
9001	6.768-024.0	Front plate WH Berlin	1	PC



5 Coin acceptor electronic (6.768-021.0)

---

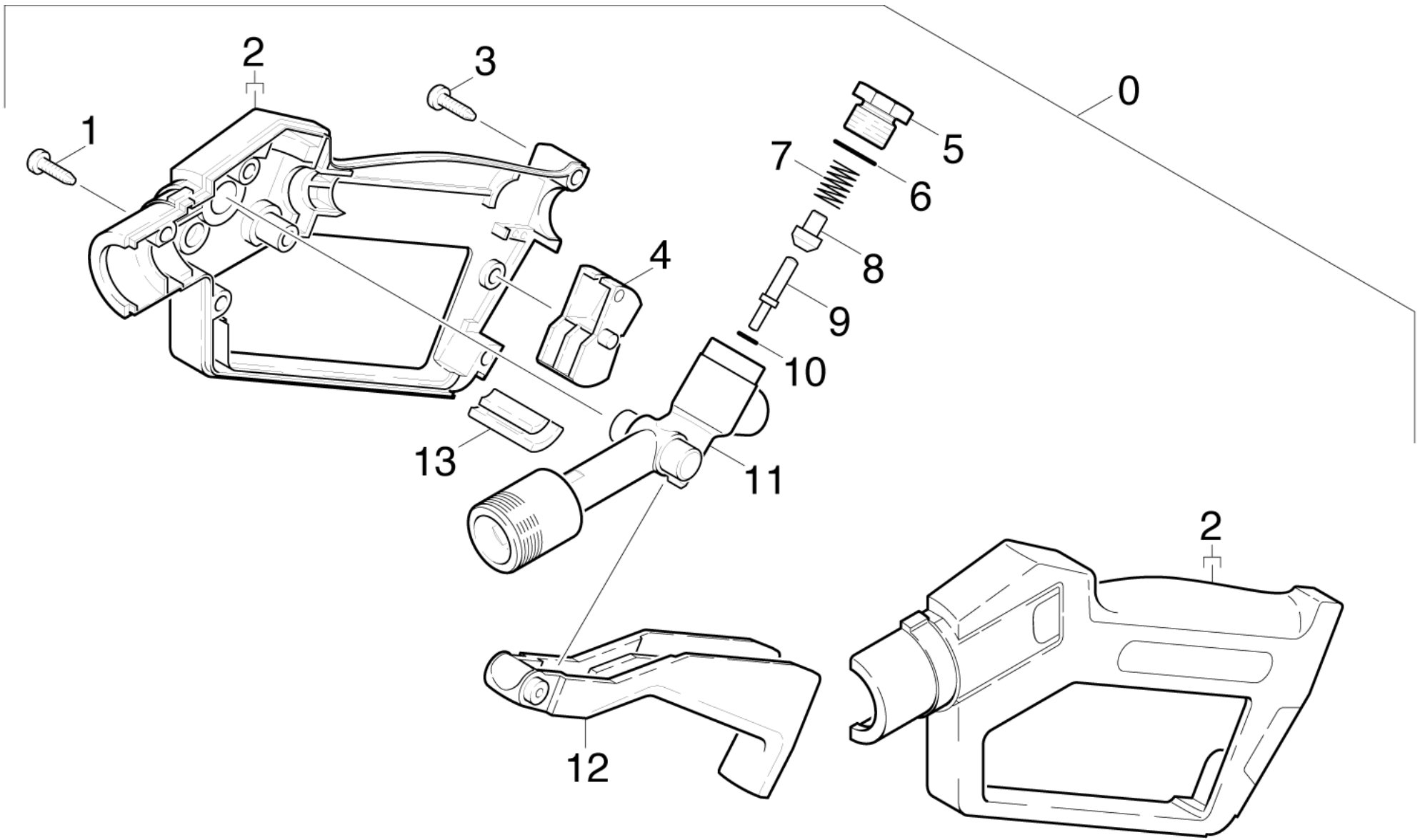
<b>POS</b>	<b>Article no.</b>	<b>Description</b>	<b>Quantity</b>	<b>Unit</b>
9001	6.768-024.0	Front plate WH Berlin	1	PC

---

## 110 Accessories

---

<b>POS</b>	<b>Description</b>	<b>Quantity</b>	<b>Unit</b>
101	Hand trigger gun ( FSB 0,8 mm)	1	PC
102	Jet pipe	1	PC
103	Hose	1	PC

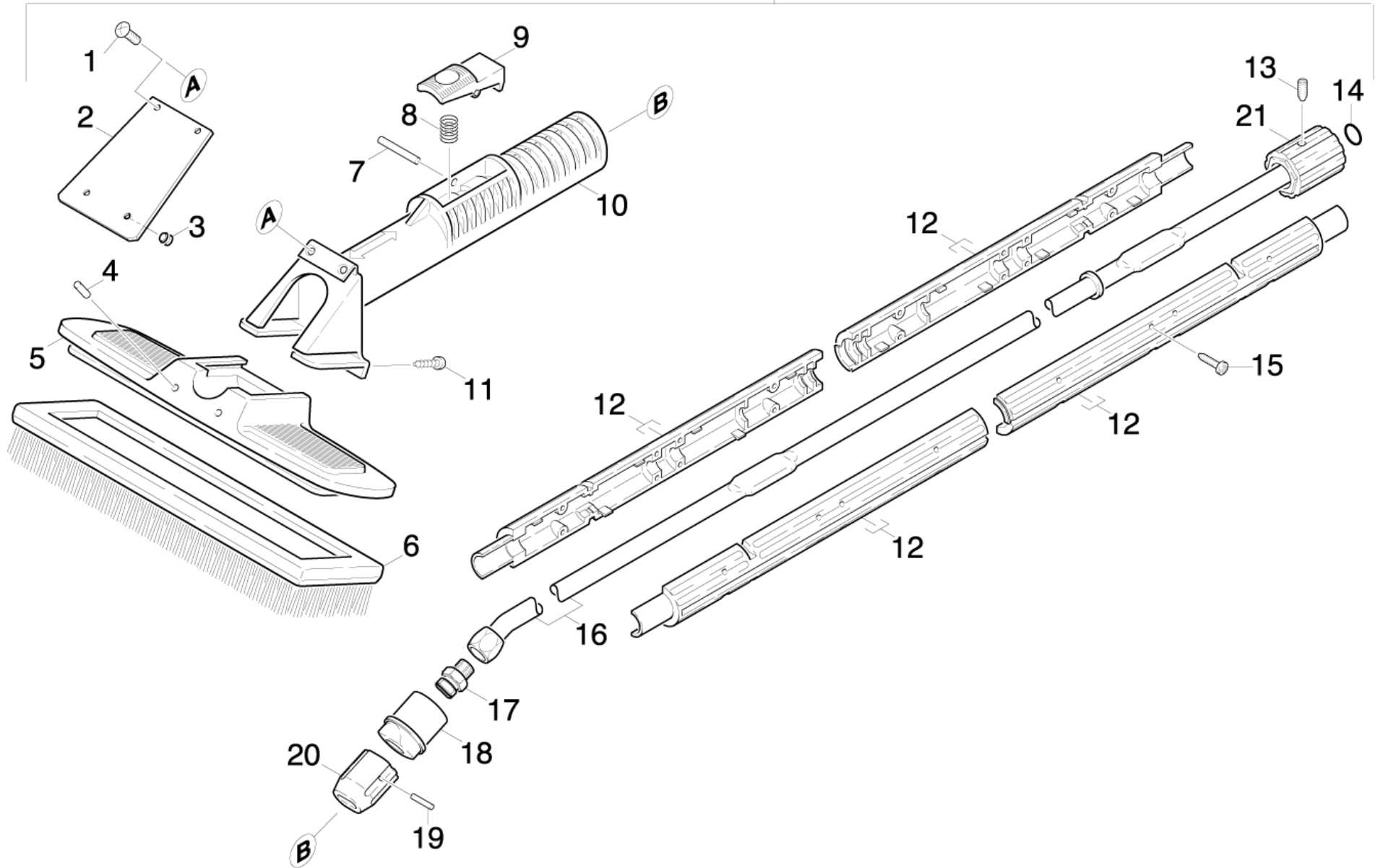




101 Hand trigger gun ( FSB 0,8 mm)

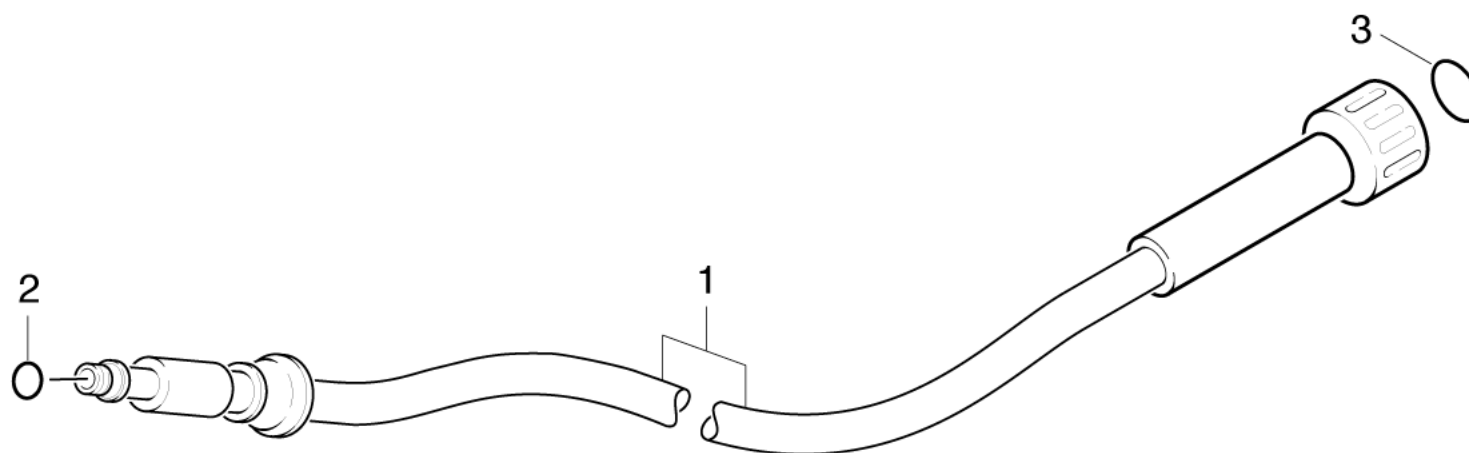
POS	Article no.	Description	Quantity	Unit
0	4.775-249.0	Hand trigger gun -FSB. 0,8	1	PC
1	6.303-025.0	Oval head screw 4,2x16-St-vz	1	PC
2	5.321-167.0	Handhold few	1	PC
3	7.303-096.0	Screw 4x22-ST-10.9-R2R (IN6RD)	5	PC
4	5.481-052.0	Lever	1	PC
5	5.411-054.0	Screw plug	1	PC
6	6.362-480.0	O-Ring seal 12,42x 1,78	1	PC
7	5.332-157.0	Helical spring	1	PC
8	5.582-058.0	Valve disc	1	PC
9	5.107-067.0	Bar	1	PC
10	7.362-502.0	O-Ring seal 2,8x1,6-NBR 70 DIN 3770	1	PC
11	4.427-204.3	Manifold FSB0.8	1	PC
12	4.481-035.0	Lever	1	PC
13	5.394-156.0	Protection part	1	PC

0



## 102 Jet pipe

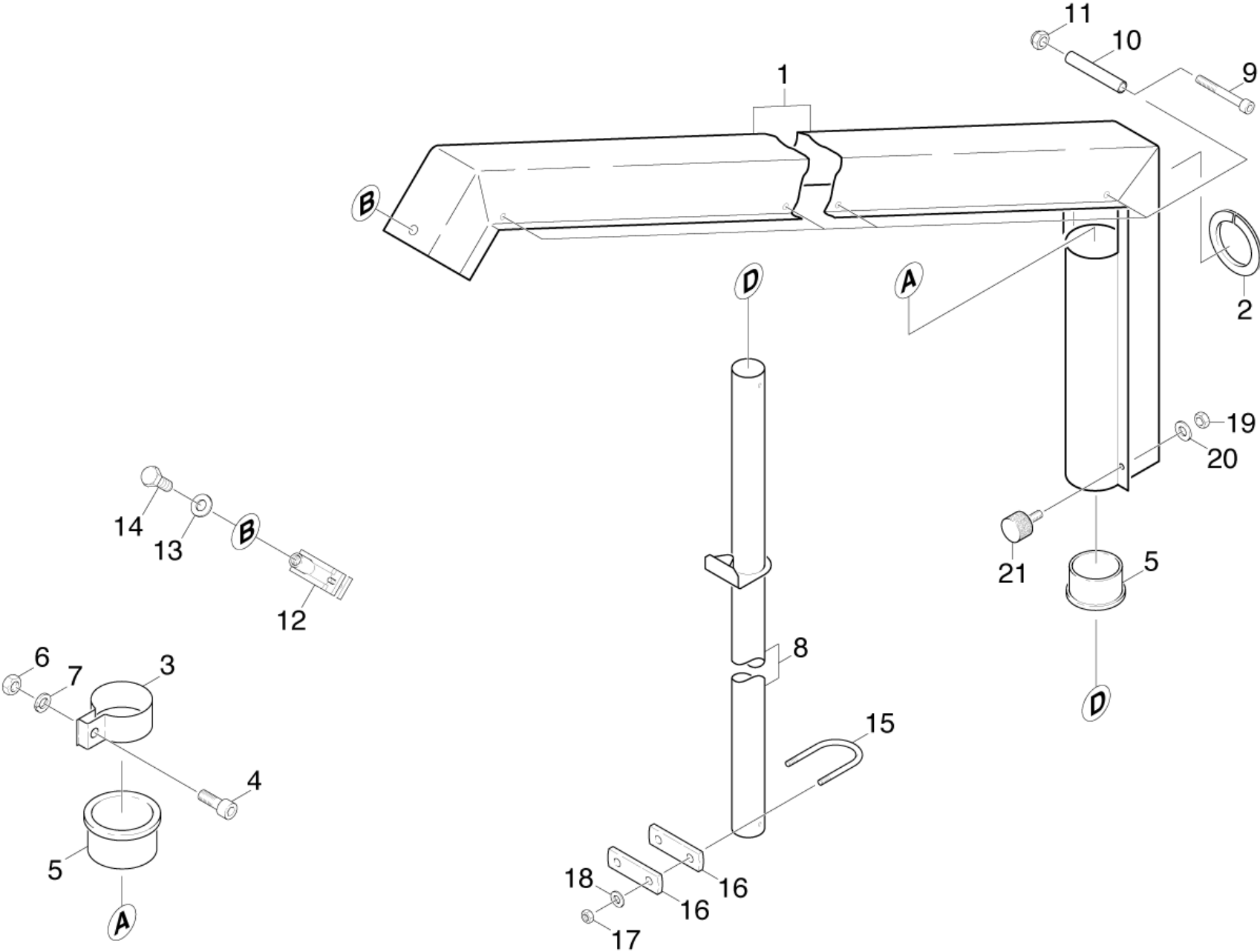
POS	Article no.	Description	Quantity	Unit	Remark	Foot note text
0	4.760-397.3	Jet pipe brush across	1	PC	VERSION 1	
1	7.303-119.0	Countersunk screw 3x10 -10.9-R2R (In6Rd)	2	PC		
2	5.394-233.0	Protection part	1	PC		
3	5.108-103.0	Pin	2	PC		
4	6.685-811.0	Bar magnet	2	PC		
5	4.030-013.0	Moulded part	1	PC		
6	6.370-007.0	Brush attachment unperforated	1	PC		
6	6.371-200.0	Brush attachment unperforated L. 92mm	1	PC		
7	7.314-842.0	Grooved pin 3x28 -CuZn ISO 8742	1	PC		
8	5.332-188.0	Helical spring	1	PC		
9	5.481-061.0	Lever	1	PC		
10	5.321-250.0	Handhold	1	PC		
11	7.303-091.0	Sheet metal screw ST4,8X16-A2-70 (In6Rd)	2	PC		
12	5.321-251.0	Handhold	4	PC		
13	7.307-211.0	Threaded pin M5X8 -A2-21H ISO 4027	1	PC		
14	6.362-151.0	O-Ring d. 10 x 2 NBR 70	1	PC		
15	7.303-102.0	Screw 3,5x12 -A2-70-bk (In6Rd)	16	PC		
16	4.025-097.0	Tube	1	PC		
17	6.415-424.0	Nozzle Washjet	1	PC	25G065	VERSION 2
17	6.415-685.0	Jet nozzle 5004	1	PC	5004	VERSION 1
18	5.394-161.0	Protection part	1	PC		
19	7.314-632.0	Straight grooved pin 3,0x16-A1 ISO 8740	2	PC		
20	5.394-160.0	Protection part	1	PC		
21	4.310-007.0	Union nut	1	PC		



## 103 Hose

---

<b>POS</b>	<b>Article no.</b>	<b>Description</b>	<b>Quantity</b>	<b>Unit</b>
1	6.389-808.0	Hose assembly DN6 40MPa 10m	1	PC
2	6.363-115.0	O-Ring seal complete 1ST.-R.	1	PC
3	6.362-151.0	O-Ring d. 10 x 2 NBR 70	1	PC



## 120 Add-on kit gallows

POS	Article no.	Description	Quantity	Unit	Foot note text
1	7.777-999.0	Stockpiling discontinued	1	PC	
2	6.368-089.0	Edge protection	1	m	TO ORDER AS CUT GOODS
3	7.777-999.0	Stockpiling discontinued	1	PC	
4	7.306-041.0	Cylinder head screw M8x20 -8.8-A2E ISO	1	PC	
5	7.777-999.0	Stockpiling discontinued	2	PC	
6	7.311-004.0	Hexagon nut M8 -8-A3E ISO 4032	1	PC	
7	7.313-051.0	Spring washer 8-FST-A3E DIN 7980	1	PC	
8	4.025-371.0	Tube	1	PC	
9	7.306-268.0	Screw M6x70 -8.8-R3R (In6Rd)	4	PC	
10	7.777-999.0	Stockpiling discontinued	4	PC	
11	7.311-334.0	Cap nut M6 -A1-50 DIN 917	4	PC	
12	6.373-375.0	Pipe clamp MPN-RC 1/4"	1	PC	
13	7.312-004.0	Washer 8 -200HV-A3E ISO 7089	1	PC	
14	7.304-395.0	Hexagonal head screw M8x16-8.8-A2E ISO	1	PC	
15	7.373-271.0	Steel strap A52x92x50 St-vz DIN 3570	2	PC	
16	6.373-614.0	Plate	4	PC	
17	7.311-006.0	Hexagon nut M10 -8-A3E ISO 4032	4	PC	
18	7.313-052.0	Spring washer 10-FST-A3E DIN 7980	4	PC	
19	7.311-003.0	Hexagon nut M6 -8-A2E ISO 4032	2	PC	
20	7.312-003.0	Washer 6 -200HV-A3E ISO 7089	2	PC	
21	6.339-105.0	Rubber buffer	2	PC	