

Spare parts list

(1.180-580.0) K 5 Basic *EU

Table of contents

K 5 Basic *EU (1.180-580.0)	3
Short spare parts list	4
201 Spare parts list K5 Basic*EU (5.972-812.0)	5
10 Housing	6
20 Pump set	8
21 Housing	9
13 Spare part set control head (9.001-800.0)	11
70 Nozzle insert (4.769-035.0)	13
15 Pump head Alu FC ric (9.002-456.0)	15
23 Nozzle insert (4.769-035.0)	17
22 Thrust guidance	19
30 Motor	21
40 Accessories	23
41 Hand trigger gun	24
G 180 Q Trigger gun Quick Connect (2.642-889.0)	26
41 G 180 Q Trigger gun Quick Connect (2.642-889.0)	28
42 High pressure hose	30
1 H 9 Q high pressure hose Quick Connect (2.641-721.0)	32
43 Vario-Power Jet pipe	34
43 VP 145 Vario Power Jet (packaged) (2.642-725.0)	36
43 VPS K3 025 (4.760-725.0)	38
44 VPS Middle 024 K (4.760-077.0)	40
45 Dirt blaster	42
2 Dirt blaster 031 St - CEM 14,5MPa (4.764-281.0)	44
45 DB 145 Dirt Blaster (packaged) (2.642-728.0)	46
45 Dirt blaster Middle 024 St (4.764-293.0)	48
46 Brush Best	50
1 WB 100 washing brush (2.643-236.0)	52
47 Foam lance	54
48 Surface cleaner	56
1 Single-step jet pipe extension (2.643-240.0)	58
7 Spare parts nozzles T-Racer (2.643-338.0)	60
49 Surface cleaner	63
1 Single-step jet pipe extension (2.643-240.0)	65
3 Bearing support kpl.	67
1 Adapter complete	69
50 Electric box	71

K 5 Basic *EU (1.180-580.0)

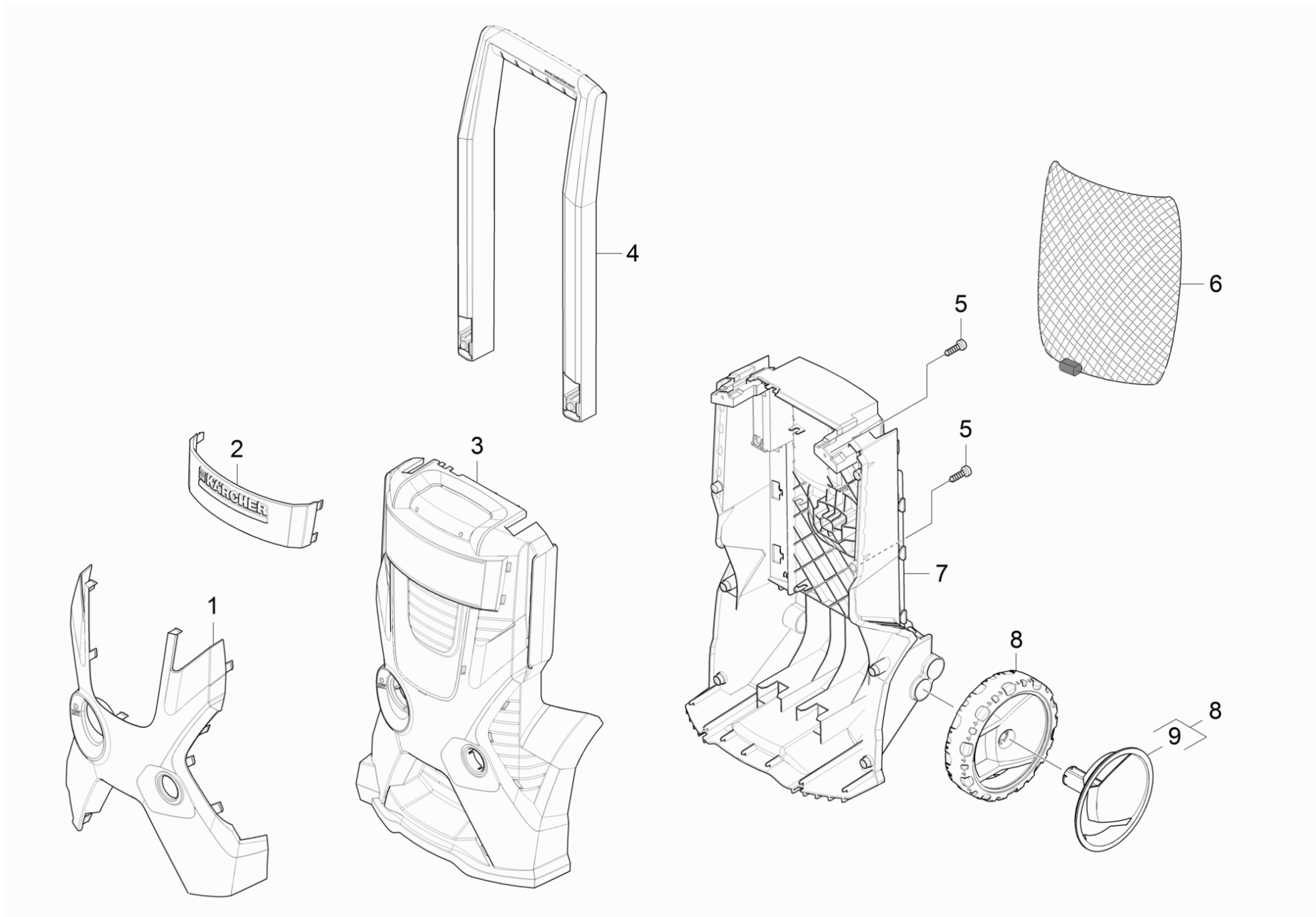
POS	Article no.	Description	Quantity	Unit
0		Short spare parts list	1.000	ST
201	5.972-812.0	Spare parts list K5 Basic*EU	1.000	ST

Short spare parts list

POS	Article no.	Description	Quantity	Unit
5	6.276-045.0	Accessories mains	1.000	ST
6	6.465-031.0	Connection 3/4	1.000	ST
11	2.642-728.0	DB 145 Dirt Blaster (packaged)	1.000	ST
7	4.764-281.0	Dirt blaster 031 St - CEM 14,5MPa	1.000	ST
1	2.642-889.0	G 180 Q Trigger gun Quick Connect	1.000	ST
3	2.641-721.0	H 9 Q high pressure hose Quick Connect	1.000	ST
4	6.363-410.0	O-Ring seal 5,7x1,78 NBR 90Shore	2.000	ST
8	2.640-729.0	O-Ring seal set	4.000	ST
2	5.332-464.0	Pressure spring	1.000	ST
12	2.642-725.0	VP 145 Vario Power Jet (packaged)	1.000	ST
9	4.760-534.0	VPS K3 0287 K	1.000	ST

201 Spare parts list K5 Basic*EU (5.972-812.0)

POS	Description	Quantity	Unit
40	Accessories	1.000	ST
50	Electric box	1.000	ST
10	Housing	1.000	ST
30	Motor	1.000	ST
20	Pump set	1.000	ST

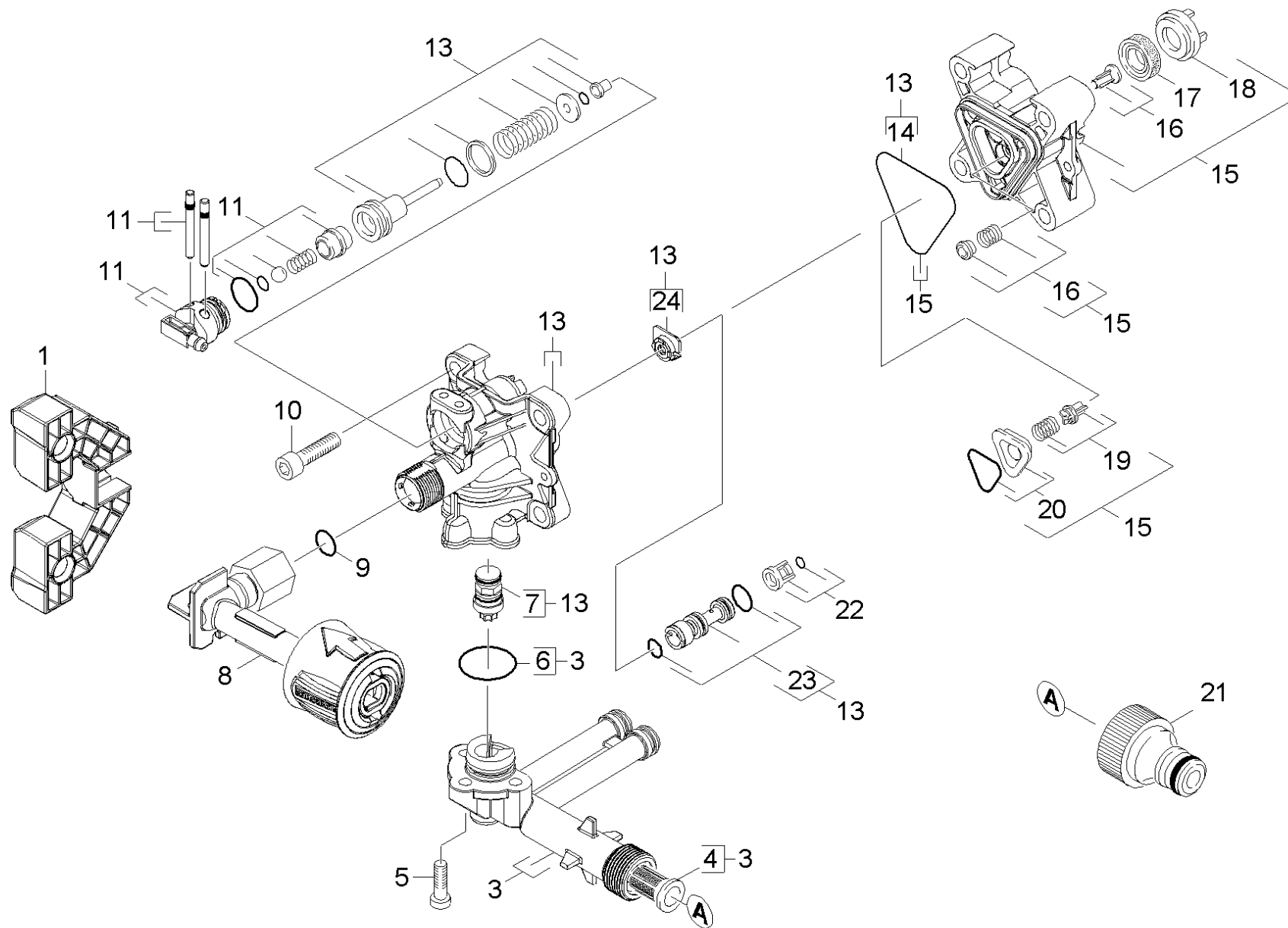


10 Housing

POS	Article no.	Description	Quantity	Unit	Foot note text
6	6.276-045.0	Accessories mains	1.000	ST	
3	9.038-016.0	Cover	1.000	ST	
2	9.001-766.0	Covering cap complete silver	1.000	ST	
1	9.037-630.0	Cover yellow X -TOP	1.000	ST	
7	9.037-871.0	Housing rear WCM Modular	1.000	ST	
4	9.037-626.0	Modular telescopic handle	1.000	ST	
9	4.515-292.0	Screen for replacement 200 Hummer SF	1.000	ST	SET OF 2 PIECES
5	9.086-221.0	Screw ATF 4.1x22	8.000	ST	
8	4.515-325.0	Wheel set replacement 200 HUMMER	1.000	ST	SET OF 2 PIECES

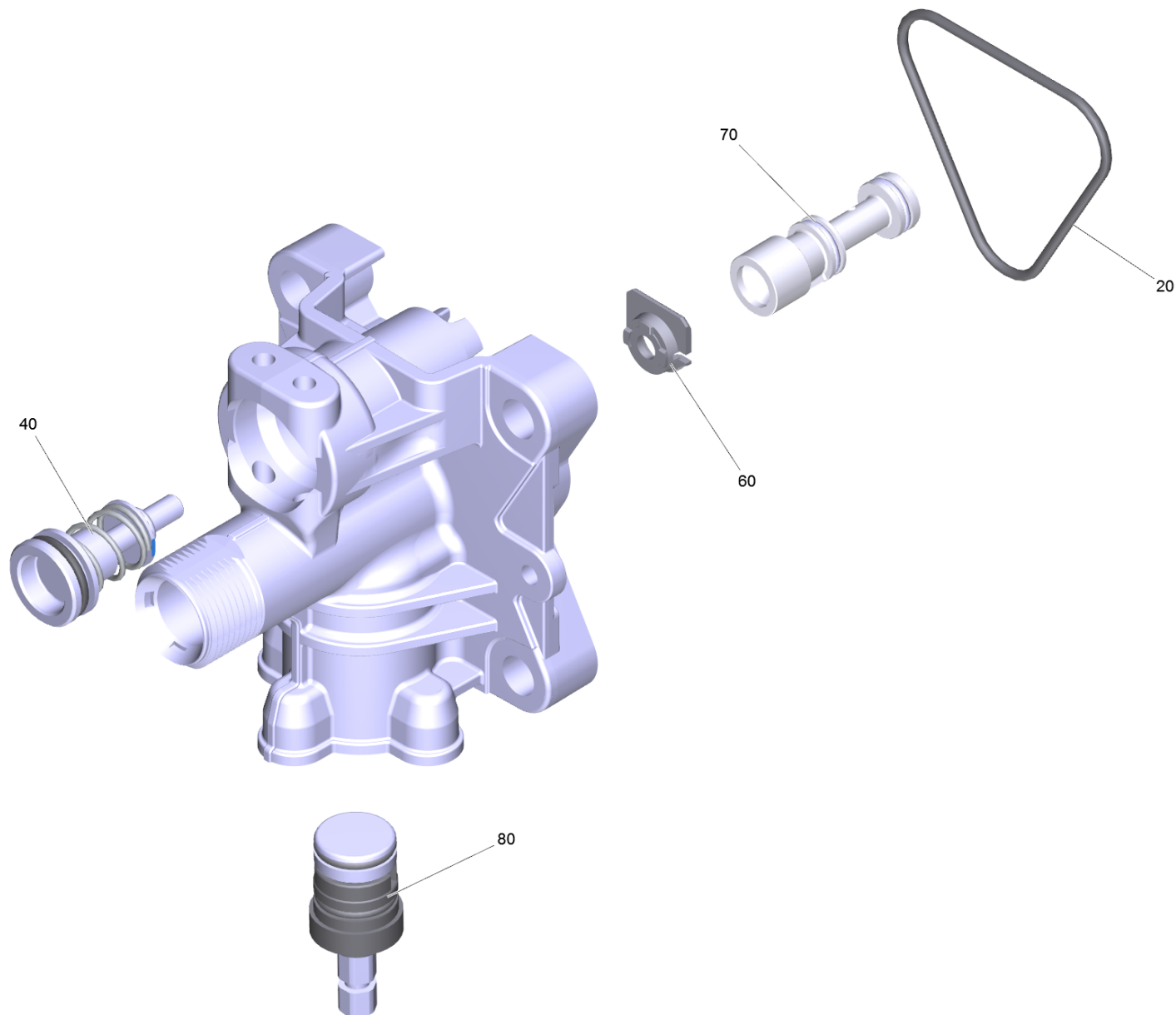
20 Pump set

POS	Description	Quantity	Unit
21	Housing	1.000	ST
22	Thrust guidance	1.000	ST



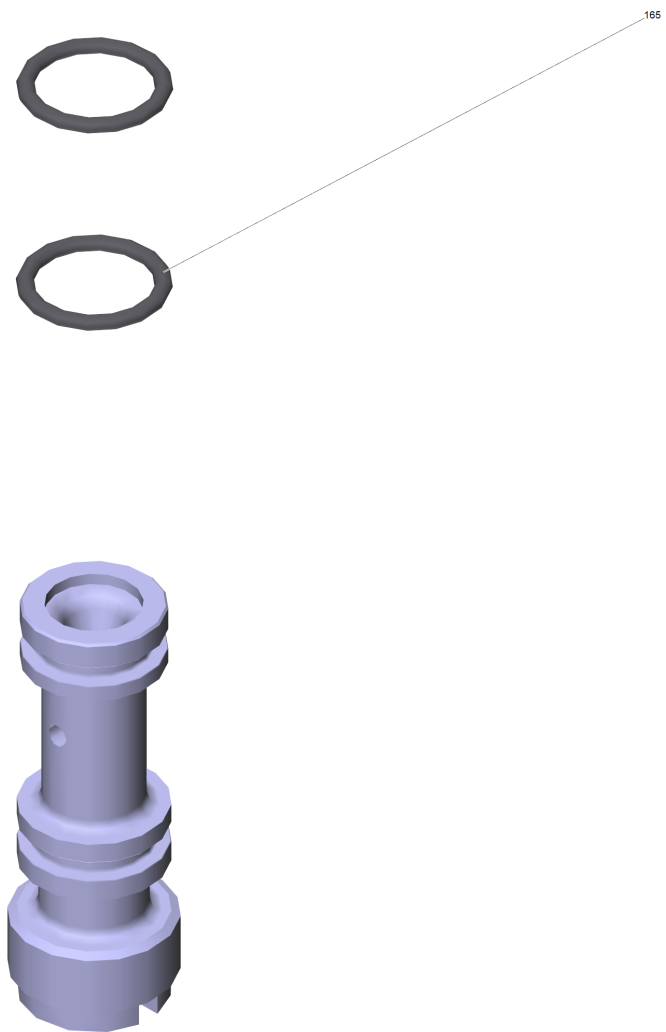
21 Housing

POS	Article no.	Description	Quantity	Unit
1	9.037-673.0	Bracket pump (bridge)	1.000	ST
22	9.001-819.0	Cage complete	1.000	ST
21	6.465-031.0	Connection 3/4	1.000	ST
3	9.001-745.0	Connection complete	1.000	ST
10	7.306-151.0	Cylinder head screw M8x65 -8.8-A2E ISO4	4.000	ST
24	9.037-142.0	Distance holder	1.000	ST
4	5.731-598.0	Fine filter long	1.000	ST
14	9.081-424.0	Form seal	1.000	ST
17	6.362-875.0	Grooved ring	3.000	ST
20	9.001-276.0	Joining piece	1.000	ST
16	9.001-110.0	Moulded part complete	1.000	ST
23	4.769-035.0	Nozzle insert	1.000	ST
9	6.362-151.0	O-Ring d. 10 x 2 NBR 70	1.000	ST
6	9.081-417.0	O-Ring d.20 x 2	1.000	ST
8	9.002-412.0	outlet fitting K5 Al (spare)	1.000	ST
7	9.002-164.0	plastic by pass (spare)	1.000	ST
15	9.002-456.0	Pump head Alu FC ric	1.000	ST
5	9.086-199.0	Screw M6x16	3.000	ST
13	9.001-800.0	Spare part set control head	1.000	ST
11	9.001-277.0	Spare parts set chemistry	1.000	ST
18	9.038-428.0	Supportring 6,7 mm	3.000	ST
	Item text1: all other machines			
18	9.038-428.0	Supportring 6,7 mm	3.000	ST
	Item text1: 1.180-583.0/-630.0/-631.0			
19	9.001-275.0	Valve set	1.000	ST



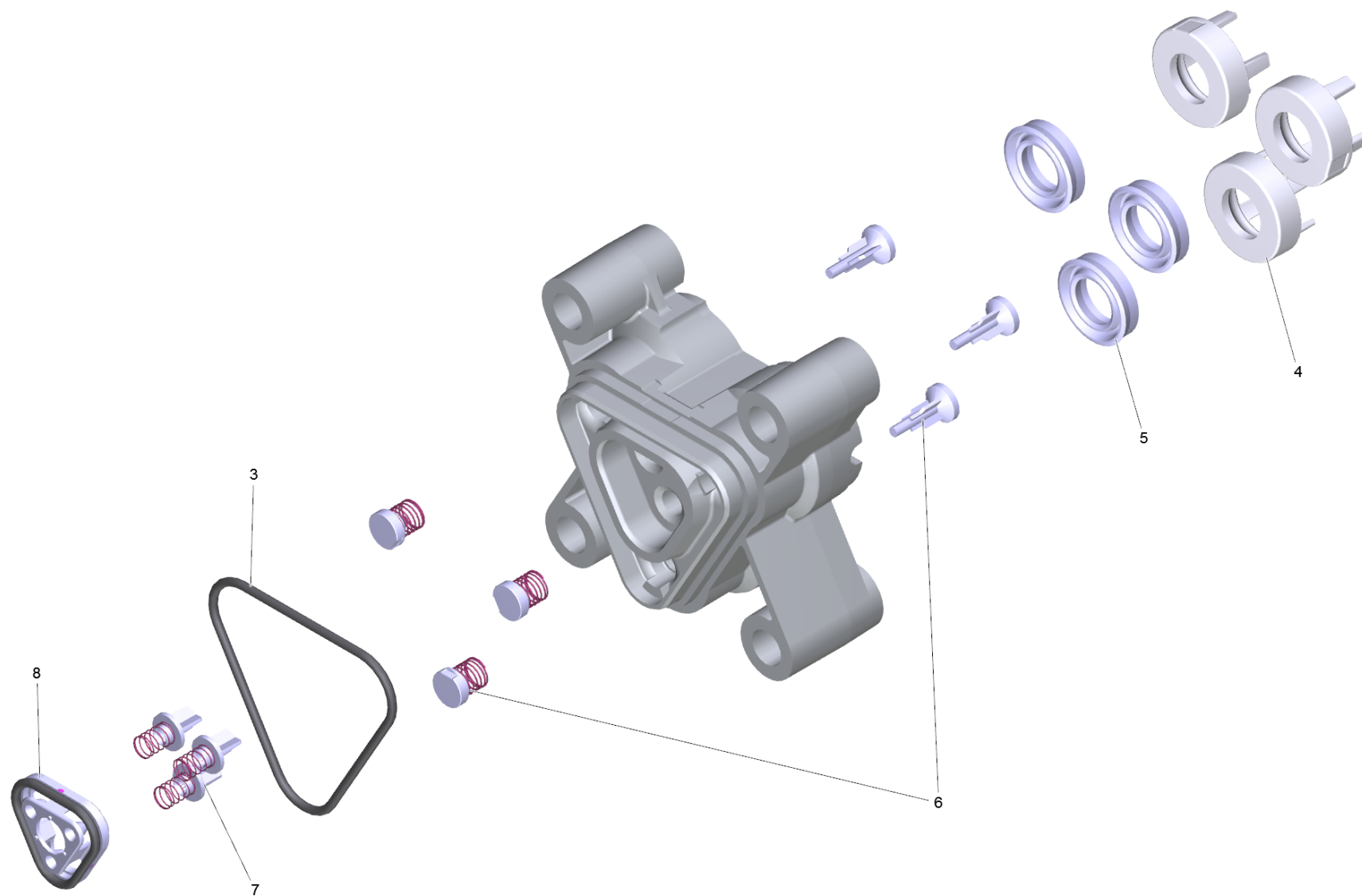
13 Spare part set control head (9.001-800.0)

POS	Article no.	Description	Quantity	Unit
40	9.001-291.0	Control piston set replacement	1.000	ST
60	9.037-142.0	Distance holder	1.000	ST
20	9.081-424.0	Form seal	1.000	ST
70	4.769-035.0	Nozzle insert	1.000	ST
80	9.002-164.0	plastic by pass (spare)	1.000	ST



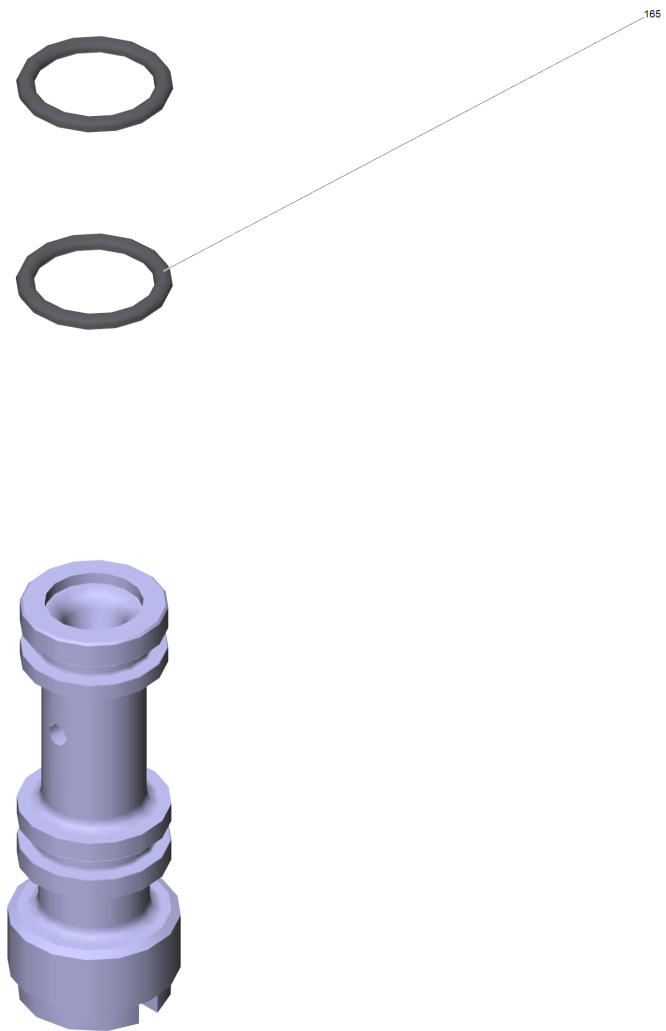
70 Nozzle insert (4.769-035.0)

POS	Article no.	Description	Quantity	Unit
165	6.362-384.0	O-Ring seal 9x1,5 - NBR 70	2.000	ST



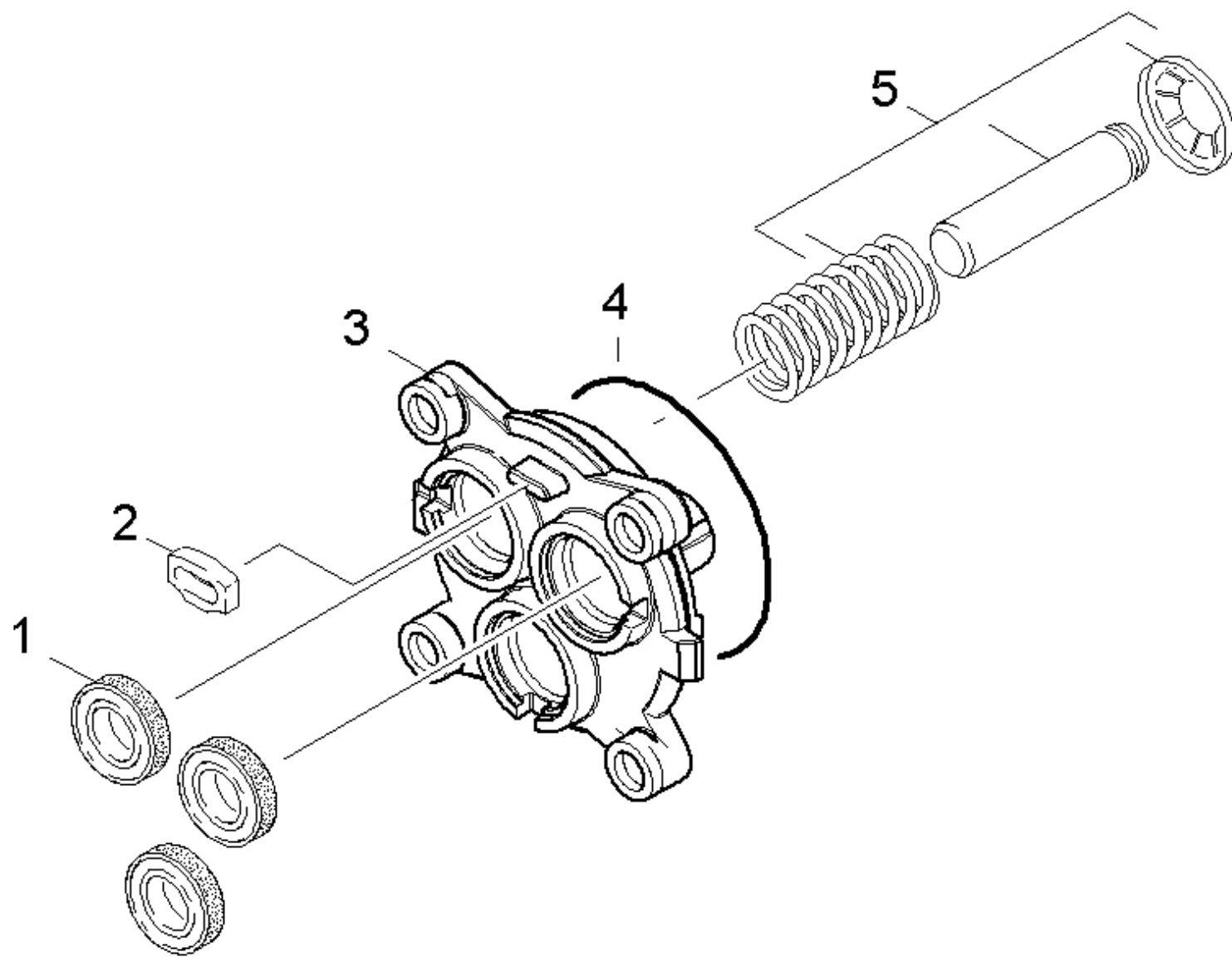
15 Pump head Alu FC ric (9.002-456.0)

POS	Article no.	Description	Quantity	Unit
3	9.081-424.0	Form seal	1.000	ST
5	6.362-875.0	Grooved ring	3.000	ST
8	9.001-276.0	Joining piece	1.000	ST
6	9.001-110.0	Moulded part complete	1.000	ST
4	9.038-428.0	Supportring 6,7 mm	3.000	ST
7	9.001-275.0	Valve set	1.000	ST



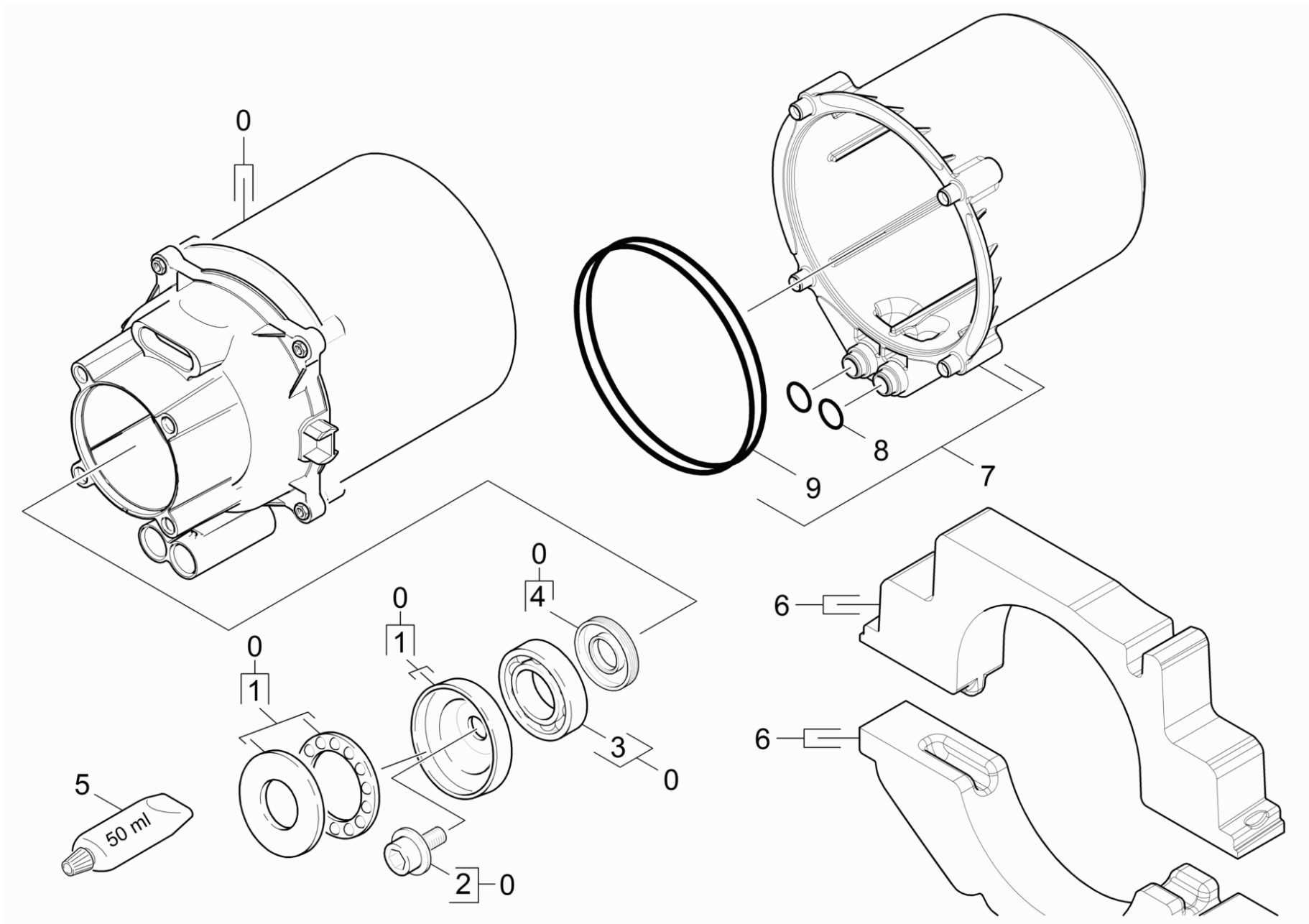
23 Nozzle insert (4.769-035.0)

POS	Article no.	Description	Quantity	Unit
165	6.362-384.0	O-Ring seal 9x1,5 - NBR 70	2.000	ST



22 Thrust guidance

POS	Article no.	Description	Quantity	Unit
1	6.964-026.0	Grooved ring	3.000	ST
4	9.080-426.0	O-Ring seal 62x3 NBR 70Shore	1.000	ST
5	9.001-927.0	Piston complete	3.000	ST
3	9.042-151.0	Pistons guide pump K5 FC machined	1.000	ST
2	9.048-071.0	Spacer - Seal	1.000	ST

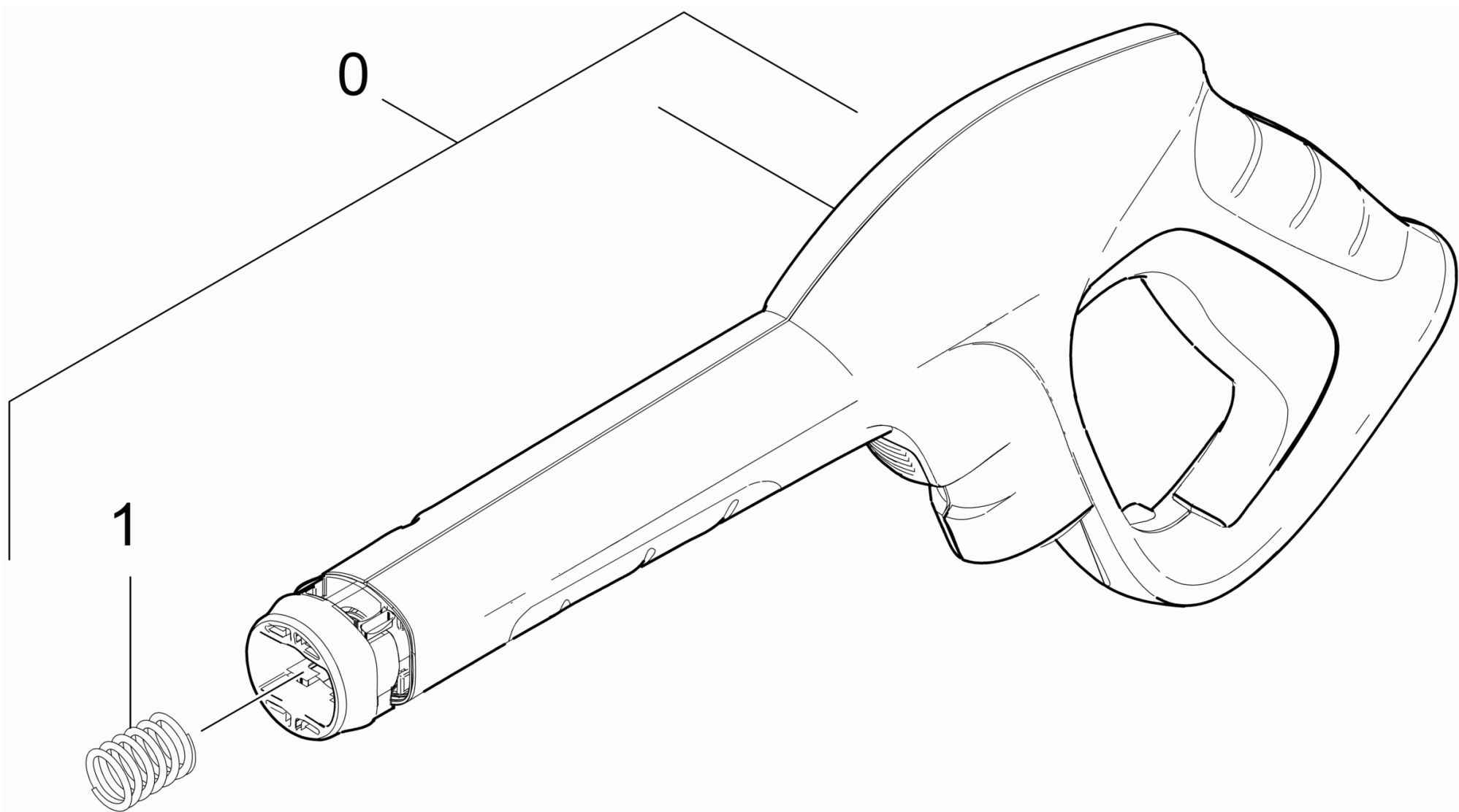


30 Motor

POS	Article no.	Description	Quantity	Unit
3	7.401-010.0	Ball bearing 6303 -St DIN 625	1.000	ST
7	9.001-918.0	Covering cap motor complete	1.000	ST
0	9.002-046.0	Motor complete K5 EU Mod. (spare)	1.000	ST
9	9.080-453.0	O-Ring seal 95x6	2.000	ST
4	9.078-007.0	Rotary shaft seal 17x35x5	1.000	ST
2	9.086-205.0	Screw	1.000	ST
8	9.080-455.0	Seal 10x2,8	2.000	ST
5	6.964-092.0	Viscous oil 50ml	1.000	ST
6	9.001-799.0	Web PS	1.000	ST
1	9.001-880.0	Wobble plate complete 11°45'	1.000	ST

40 Accessories

POS	Article no.	Description	Quantity	Unit	Remark	Foot note text
46		Brush Best	1.000	ST		
45	2.642-728.0	DB 145 Dirt Blaster (packaged)	1.000	ST		VERSION 2
	Item text1: 1.180-580.0/-633.0/-635.0/-637.0					
45		Dirt blaster	1.000	ST		
45	4.764-293.0	Dirt blaster Middle 024 St	1.000	ST		VERSION 2
	Item text1: 1.180-643.0					
47		Foam lance	1.000	ST		
41	2.642-889.0	G 180 Q Trigger gun Quick Connect	1.000	ST		VERSION 2
	Item text1: 1.180-580.0/-633.0/-635.0/-637.0/-643.0					
41		Hand trigger gun	1.000	ST		
42		High pressure hose	1.000	ST		
49		Surface cleaner	1.000	ST	T350	
48		Surface cleaner	1.000	ST	T 250	
43		Vario-Power Jet pipe	1.000	ST		
43	2.642-725.0	VP 145 Vario Power Jet (packaged)	1.000	ST		VERSION 2
	Item text1: 1.180-580.0/-633.0/-635.0/-637.0					
43	4.760-725.0	VPS K3 025	1.000	ST		VERSION 1
	Item text1: 1.180-643.0					
44	4.760-077.0	VPS Middle 024 K	1.000	ST		VERSION 2
	Item text1: 1.180-643.0					



41 Hand trigger gun

POS	Article no.	Description	Quantity	Unit
0	2.642-889.0	G 180 Q Trigger gun Quick Connect	1.000	ST
1	5.332-464.0	Pressure spring	1.000	ST



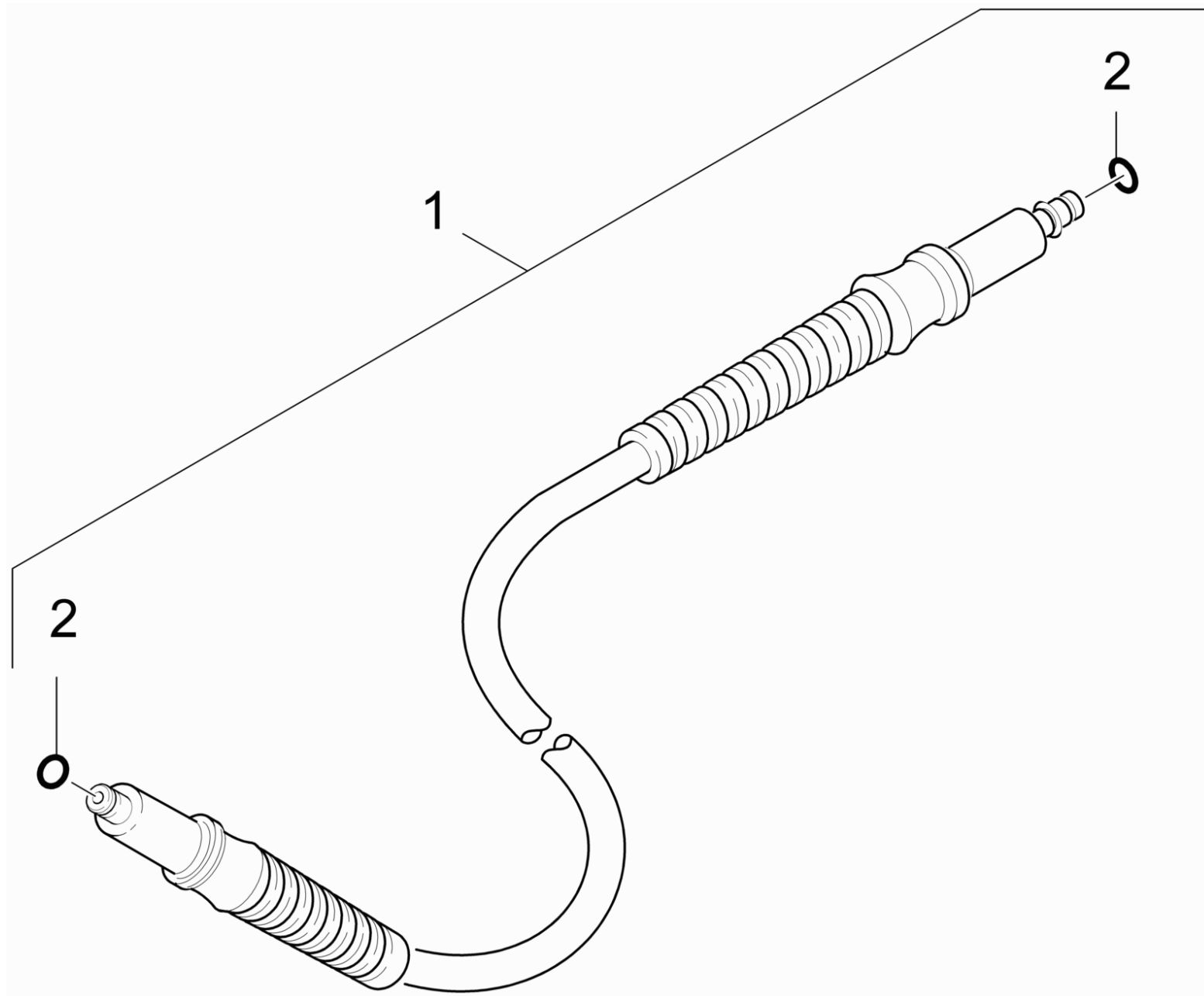
G 180 Q Trigger gun Quick Connect (2.642-889.0)

POS	Article no.	Description	Quantity	Unit
1	5.332-464.0	Pressure spring	1.000	ST



41 G 180 Q Trigger gun Quick Connect (2.642-889.0)

POS	Article no.	Description	Quantity	Unit
1	5.332-464.0	Pressure spring	1.000	ST



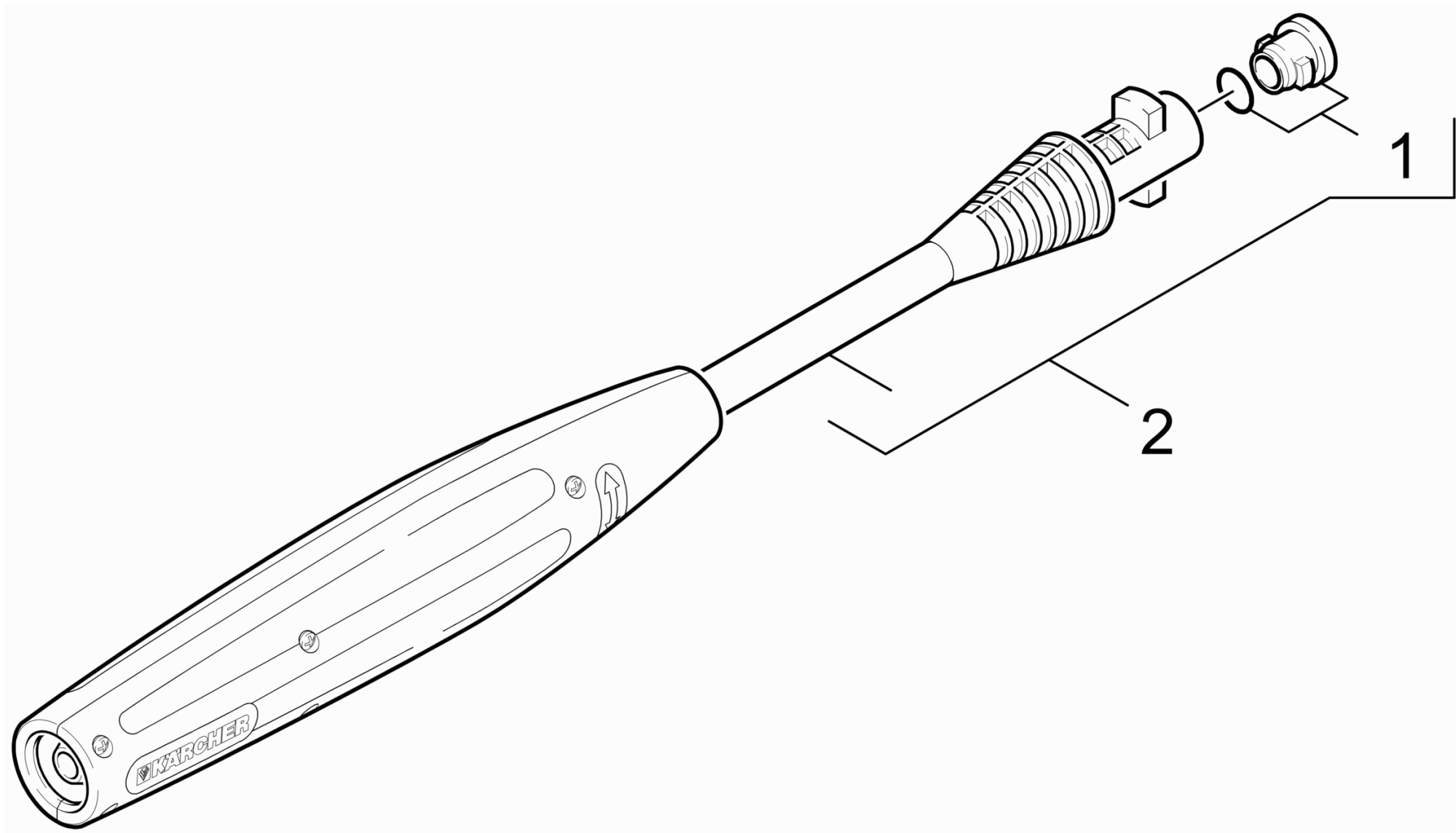
42 High pressure hose

POS	Article no.	Description	Quantity	Unit
1	2.641-721.0	H 9 Q high pressure hose Quick Connect	1.000	ST
2	6.363-410.0	O-Ring seal 5,7x1,78 NBR 90Shore	2.000	ST



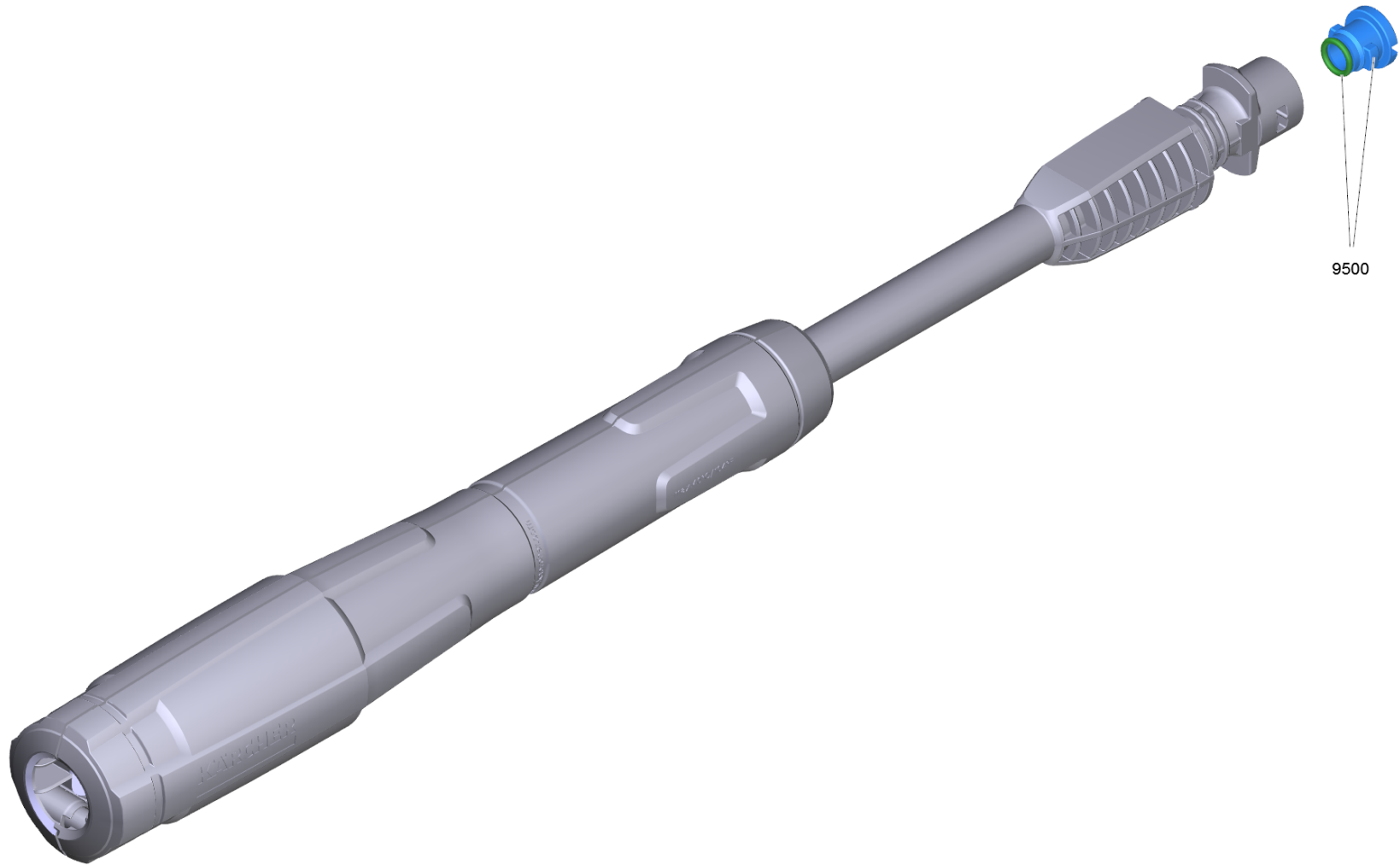
1 H 9 Q high pressure hose Quick Connect (2.641-721.0)

POS	Article no.	Description	Quantity	Unit
999	2.640-729.0	O-Ring seal set	1.000	ST



43 Vario-Power Jet pipe

POS	Article no.	Description	Quantity	Unit
1	2.640-729.0	O-Ring seal set	1.000	ST
2	4.760-534.0	VPS K3 0287 K	1.000	ST



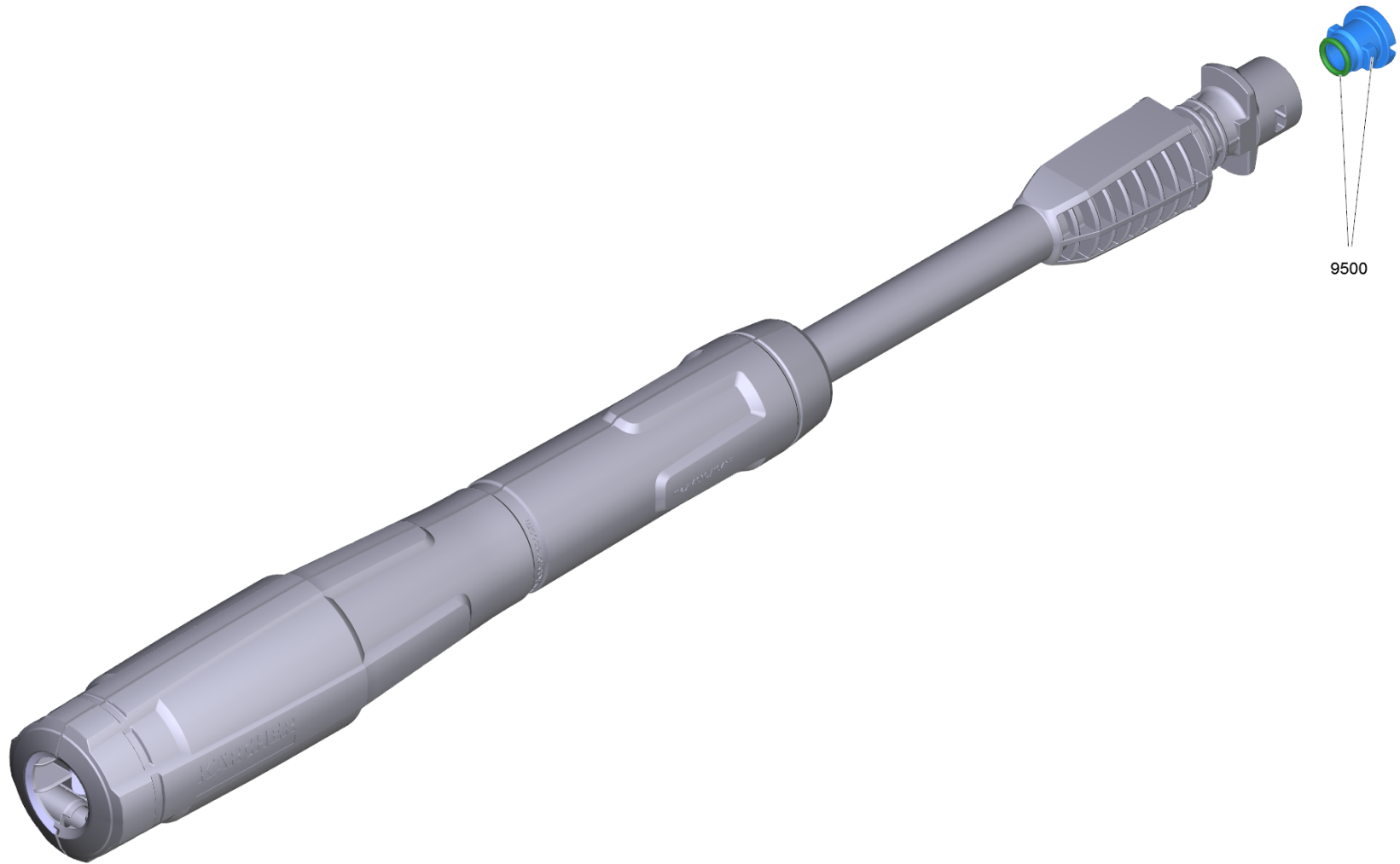
43 VP 145 Vario Power Jet (packaged) (2.642-725.0)

POS	Article no.	Description	Quantity	Unit
9500	2.640-729.0	O-Ring seal set	1.000	ST



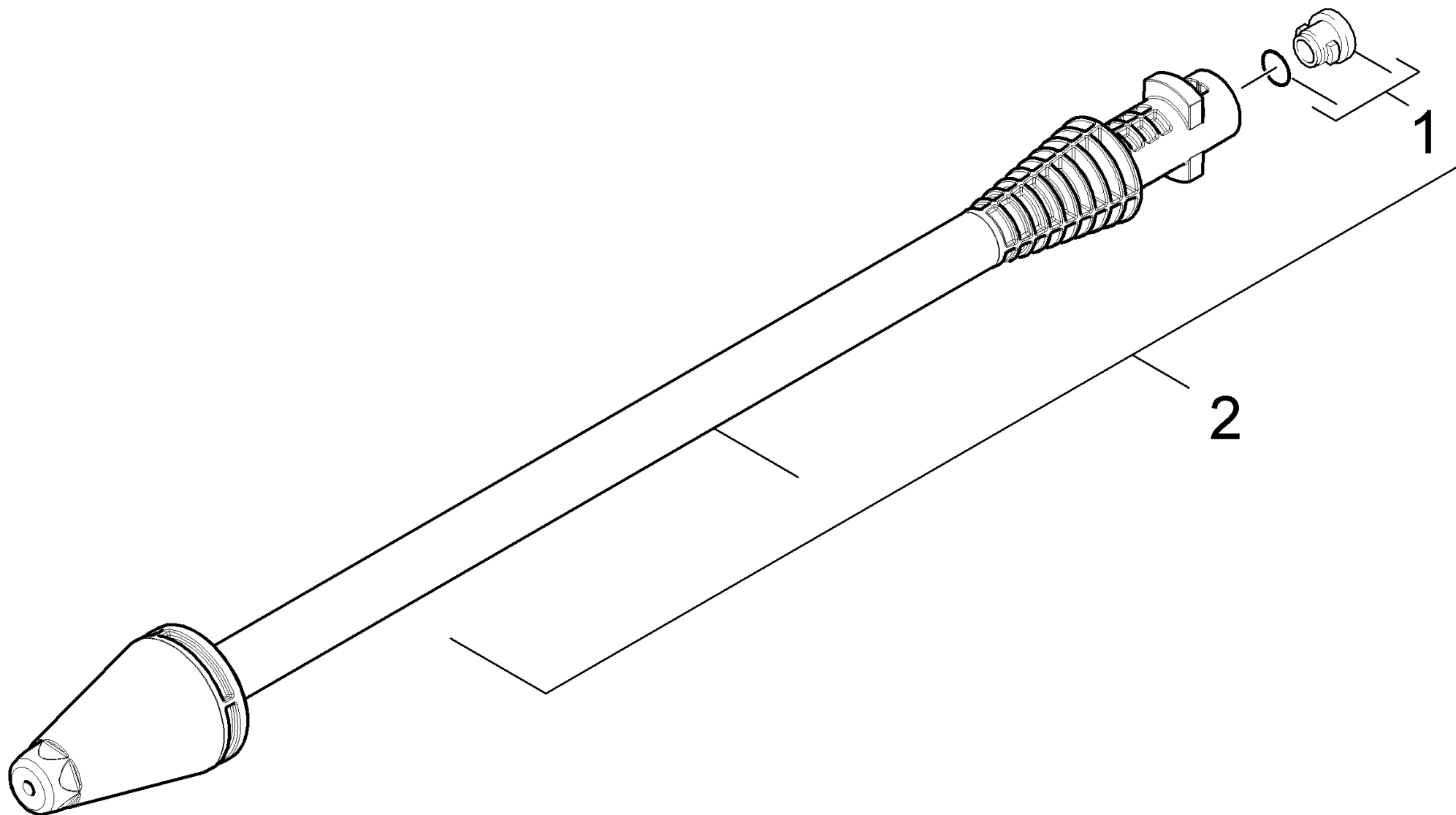
43 VPS K3 025 (4.760-725.0)

POS	Article no.	Description	Quantity	Unit
1	2.640-729.0	O-Ring seal set	1.000	ST



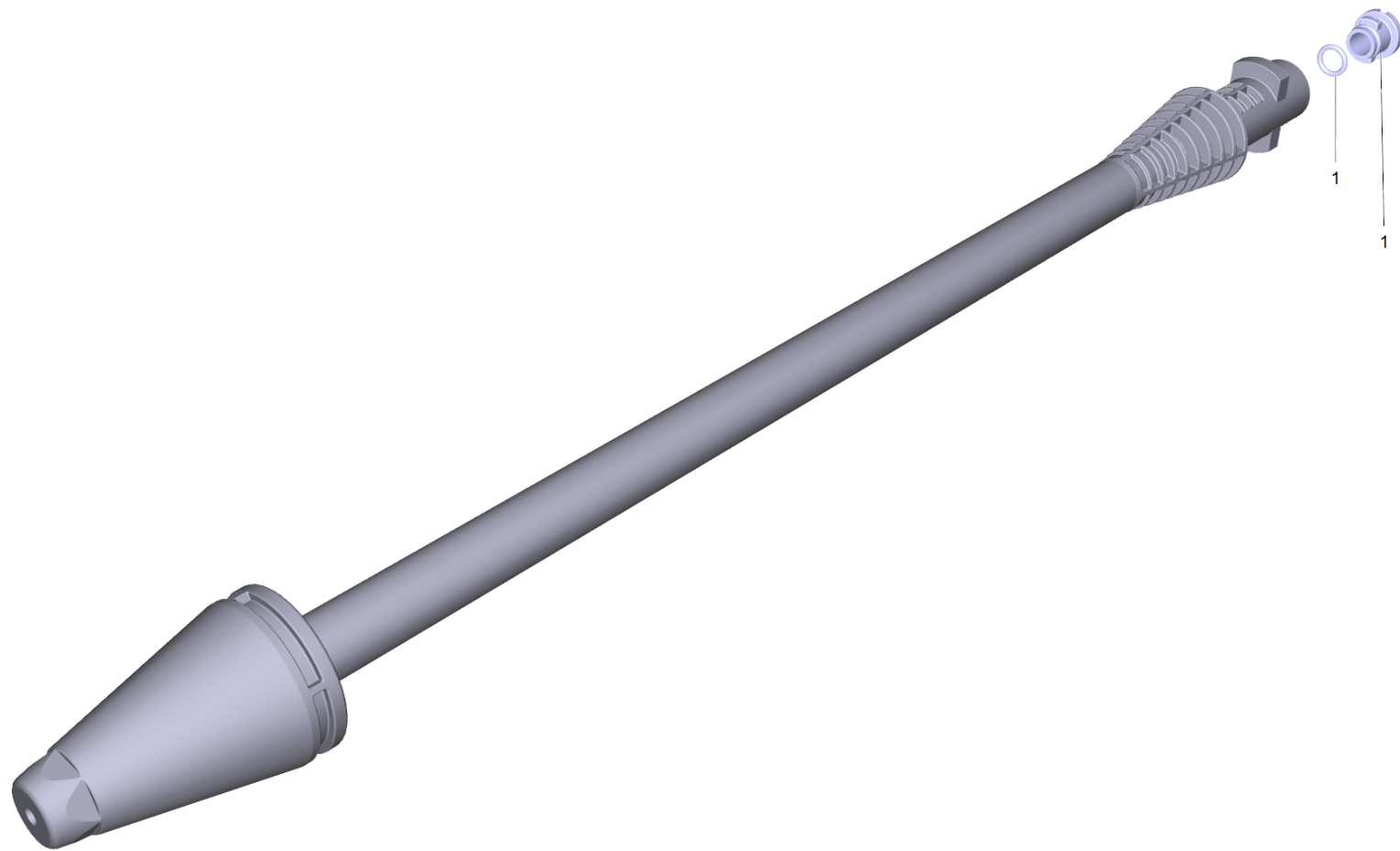
44 VPS Middle 024 K (4.760-077.0)

POS	Article no.	Description	Quantity	Unit
9500	2.640-729.0	O-Ring seal set	1.000	ST



45 Dirt blaster

POS	Article no.	Description	Quantity	Unit
2	4.764-281.0	Dirt blaster 031 St - CEM 14,5MPa	1.000	ST
1	2.640-729.0	O-Ring seal set	1.000	ST



2 Dirt blaster 031 St - CEM 14,5MPa (4.764-281.0)

POS	Article no.	Description	Quantity	Unit
1	2.640-729.0	O-Ring seal set	1.000	ST



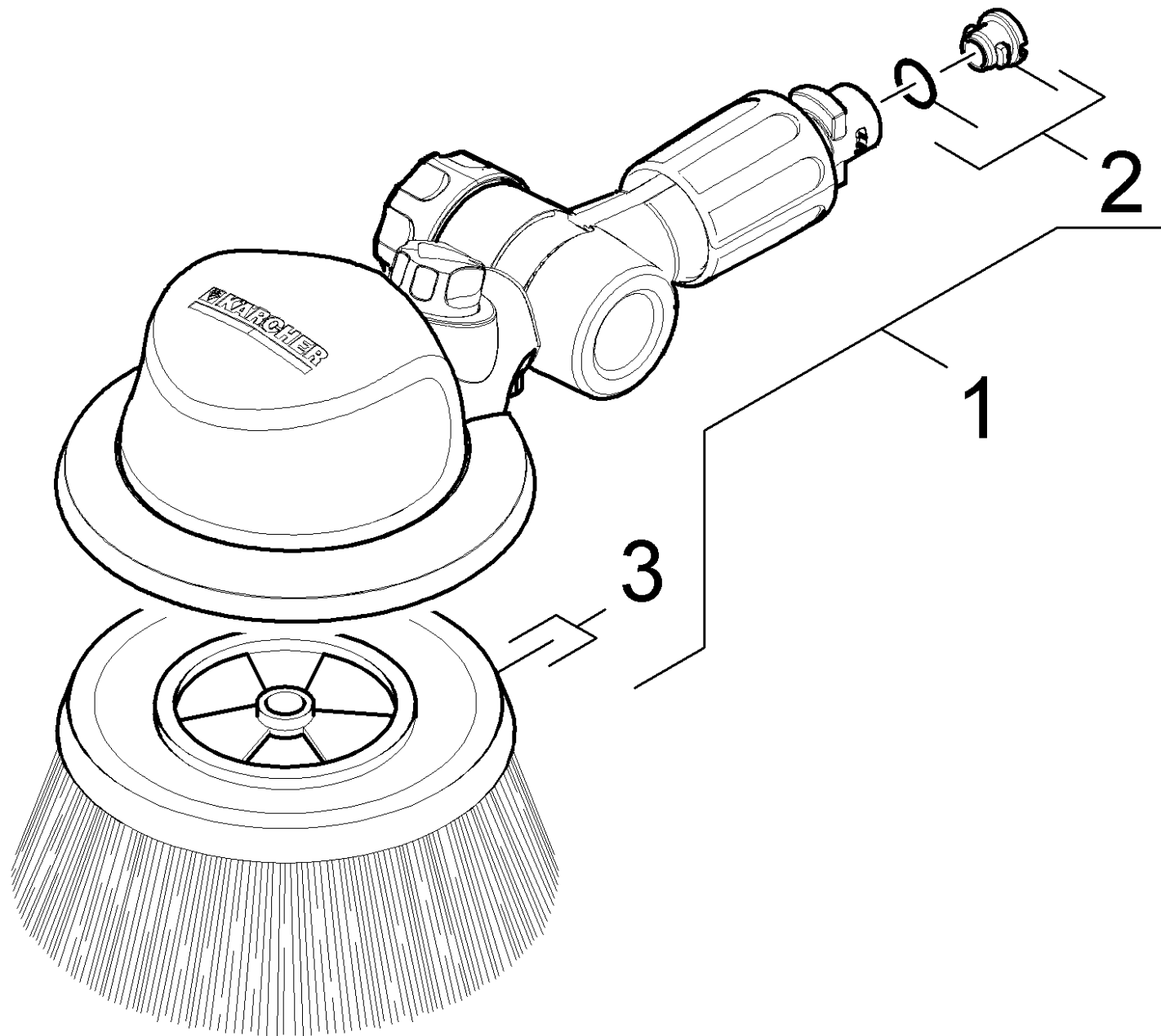
45 DB 145 Dirt Blaster (packaged) (2.642-728.0)

POS	Article no.	Description	Quantity	Unit
9500	2.640-729.0	O-Ring seal set	1.000	ST



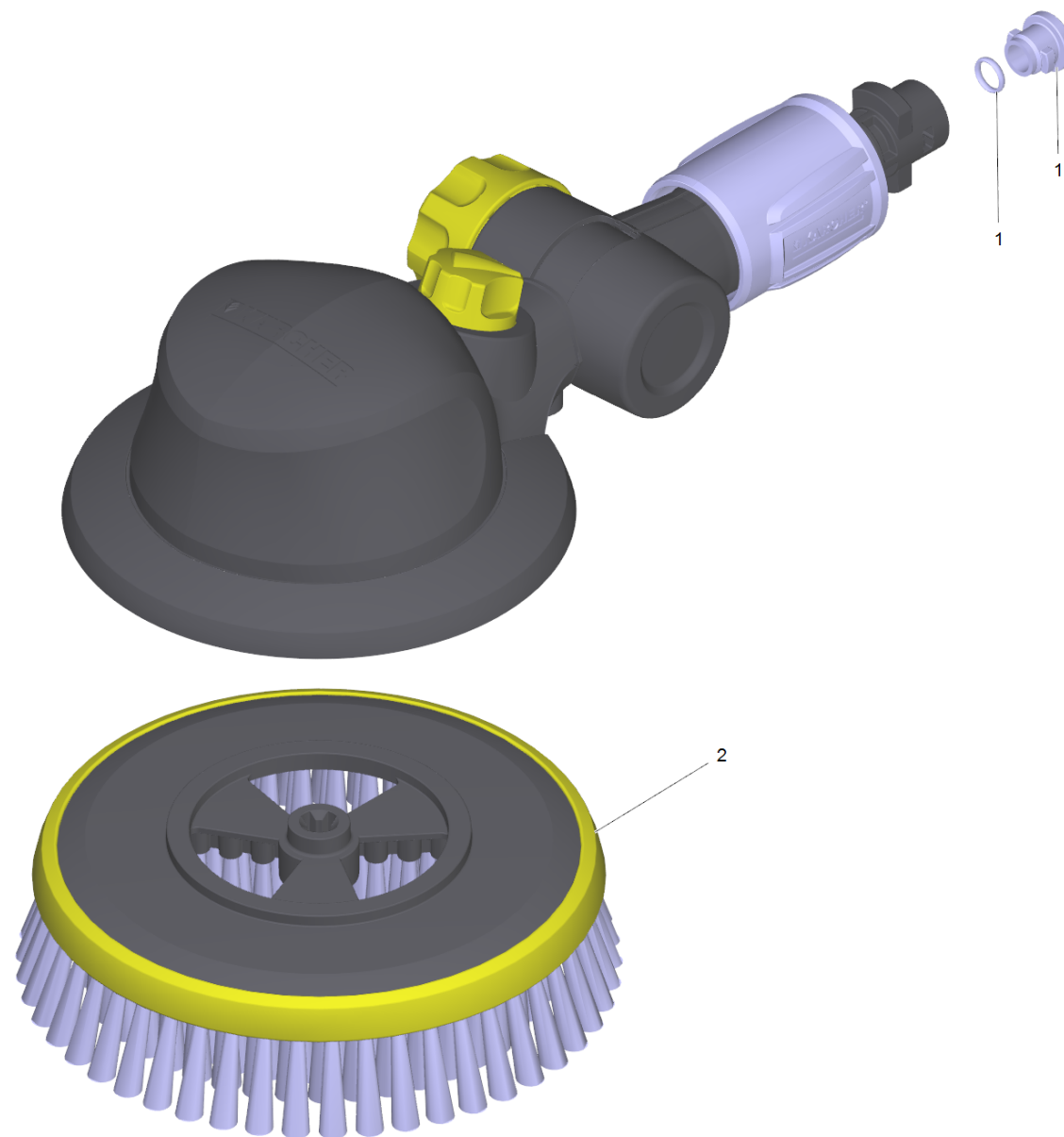
45 Dirt blaster Middle 024 St (4.764-293.0)

POS	Article no.	Description	Quantity	Unit
9500	2.640-729.0	O-Ring seal set	1.000	ST



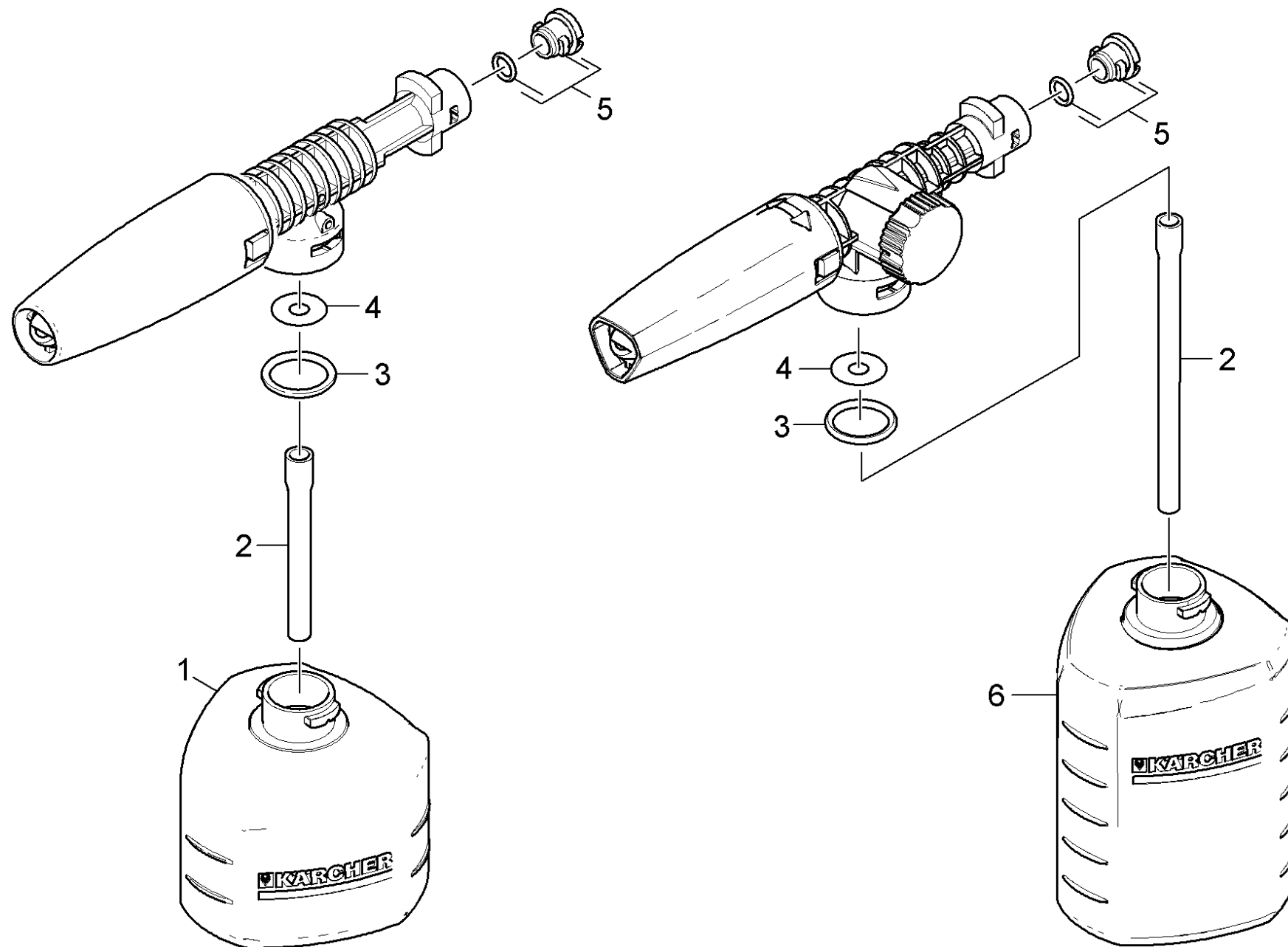
46 Brush Best

POS	Article no.	Description	Quantity	Unit
3	5.762-331.0	Carrier brushes	1.000	ST
2	2.640-729.0	O-Ring seal set	1.000	ST
1	2.643-236.0	WB 100 washing brush	1.000	ST



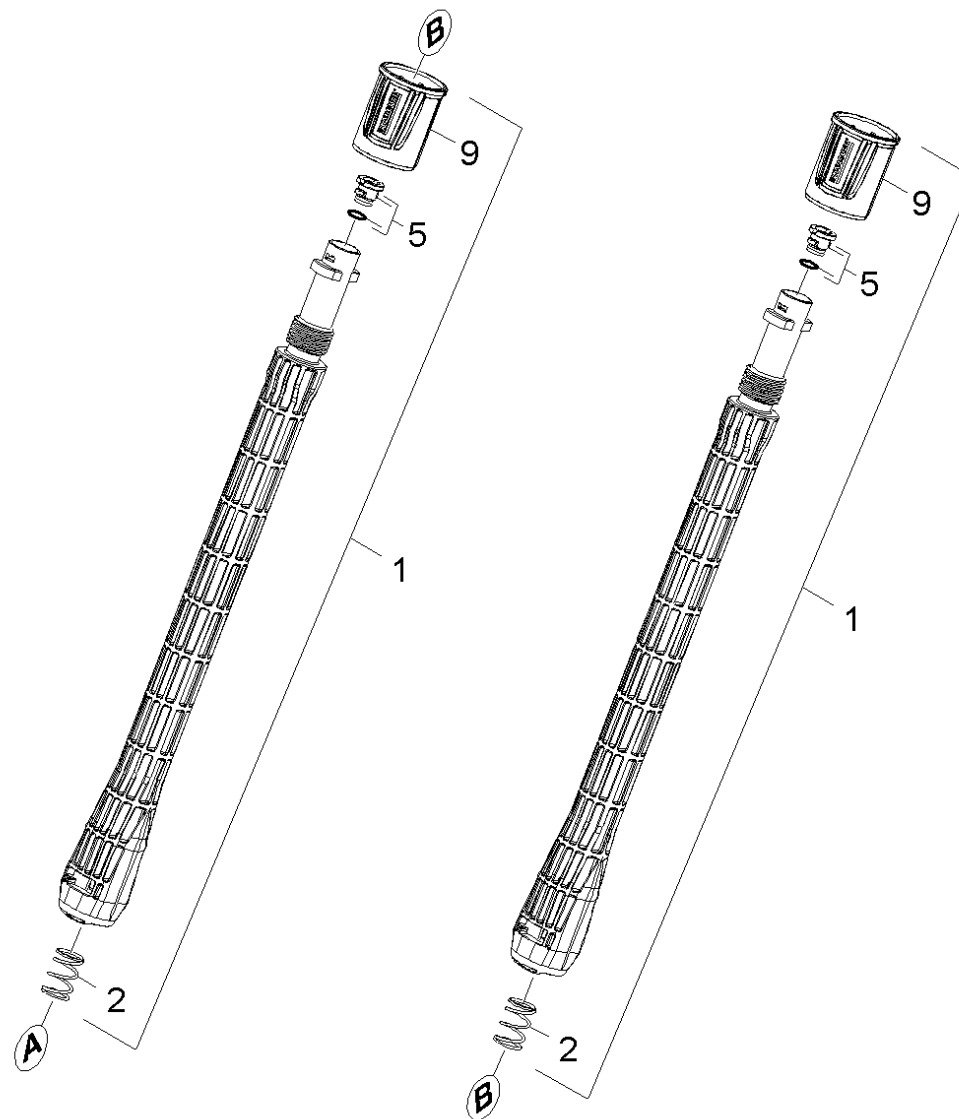
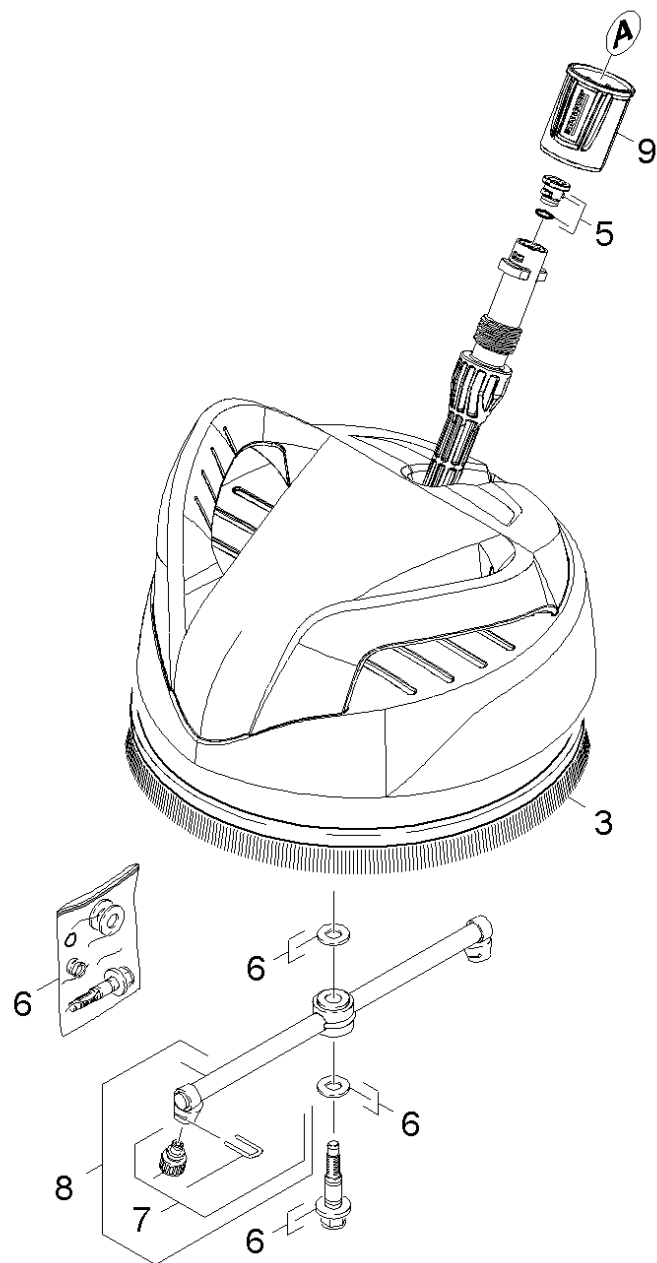
1 WB 100 washing brush (2.643-236.0)

POS	Article no.	Description	Quantity	Unit
2	5.762-331.0	Carrier brushes	1.000	ST
1	2.640-729.0	O-Ring seal set	1.000	ST



47 Foam lance

POS	Article no.	Description	Quantity	Unit	Foot note text
4	5.367-026.0	Diaphragm	1.000	ST	
2	6.388-216.0	Hose DN 5	1.000	M	TO ORDER AS CUT GOODS
3	6.362-874.0	O-Ring seal 21x3 - NBR 70	2.000	ST	
5	2.640-729.0	O-Ring seal set	2.000	ST	
1	5.071-203.0	Tank cleaning agents 0,3 l	1.000	ST	
6	5.071-202.0	Tank cleaning agents 0,6 l	1.000	ST	



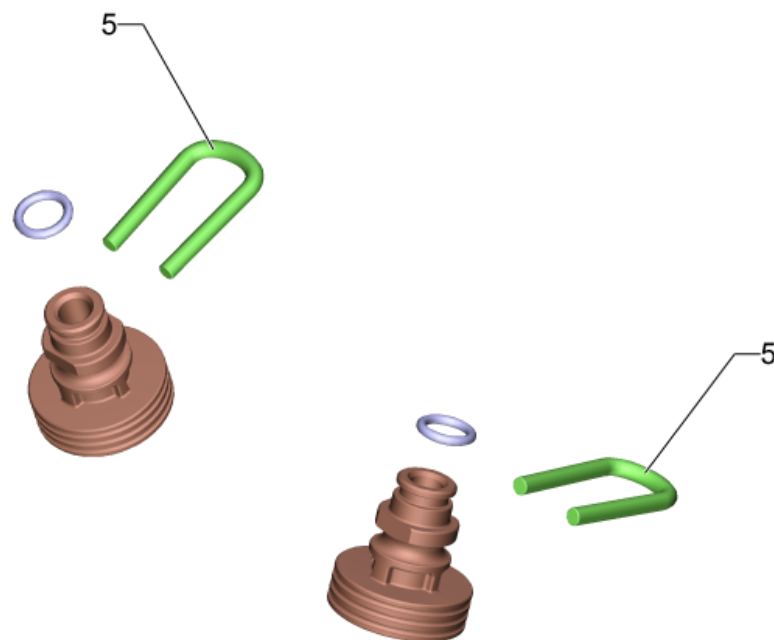
48 Surface cleaner




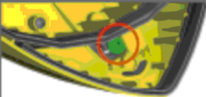




POS	Article no.	Description	Quantity	Unit
9	5.310-160.0	Nut Kaercher	3.000	ST
5	2.640-729.0	O-Ring seal set	3.000	ST
2	5.332-464.0	Pressure spring	2.000	ST
1	2.643-240.0	Single-step jet pipe extension	2.000	ST
8	2.885-003.0	Spare part set rotor neutrally	1.000	ST
6	2.883-994.0	Spare part set set of gaskets neutrally	1.000	ST
7	2.643-338.0	Spare parts nozzles T-Racer	1.000	ST
3	6.371-086.0	Strip brush	1.000	ST









1 Single-step jet pipe extension (2.643-240.0)

POS	Article no.	Description	Quantity	Unit
10	5.310-160.0	Nut Kaercher	1.000	ST
3	2.640-729.0	O-Ring seal set	1.000	ST
8	5.332-464.0	Pressure spring	1.000	ST



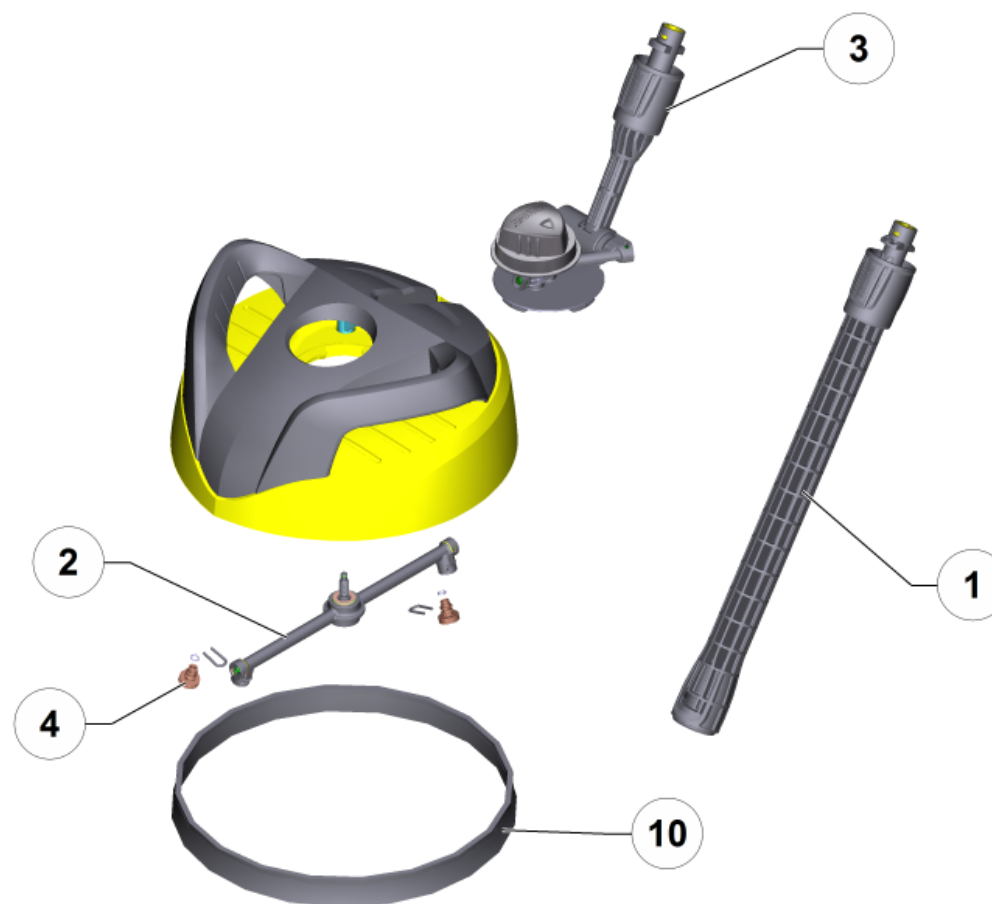
T 50, T 70, T 80, T 100 T 150, T 200, T 250, T 300, T 400, T 450, T 550	K 2 - K 5		
	K 6 - K 7		
T 400, T 450 T 550			
T 200, T 250	K 6 - K 7		
T 350 Gas			

	K 3 - K 5	
	K 6 - K 7	

	K 2	
	K 3 - K 5	

7 Spare parts nozzles T-Racer (2.643-338.0)

POS	Article no.	Description	Quantity	Unit	Remark	Foot note text
5	5.037-151.0	Clamp	2.000	ST		
1	4.764-155.0	Nozzle complete 15015	1.000	ST	<13 MPa (<130 bar)	GREY
		Item text1: 015				
2	4.764-156.0	Nozzle complete 15020	1.000	ST	13 MPa (130 bar) - 16 MPa (160 bar)	YELLOW
		Item text1: 020				
3		Nozzle complete 15027	1.000	ST		BLACK
		Item text1: 027				
4	4.764-190.0	Nozzle kpl. 75047	1.000	ST		GREEN
		Item text1: 047				



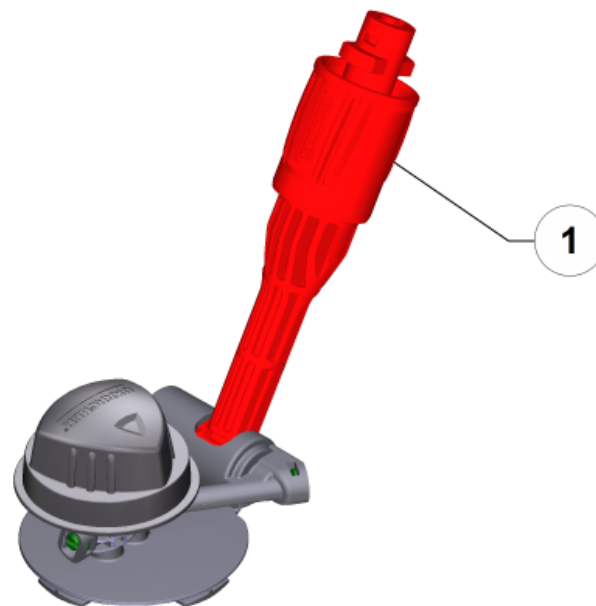
49 Surface cleaner

POS	Article no.	Description	Quantity	Unit
3		Bearing support kpl.	1.000	ST
1	2.643-240.0	Single-step jet pipe extension	2.000	ST
2	2.885-407.0	Spare part set rotor complete	1.000	ST
4	2.643-335.0	Spare parts nozzles Set T 300/T 350	1.000	ST
10	6.371-086.0	Strip brush	1.000	ST



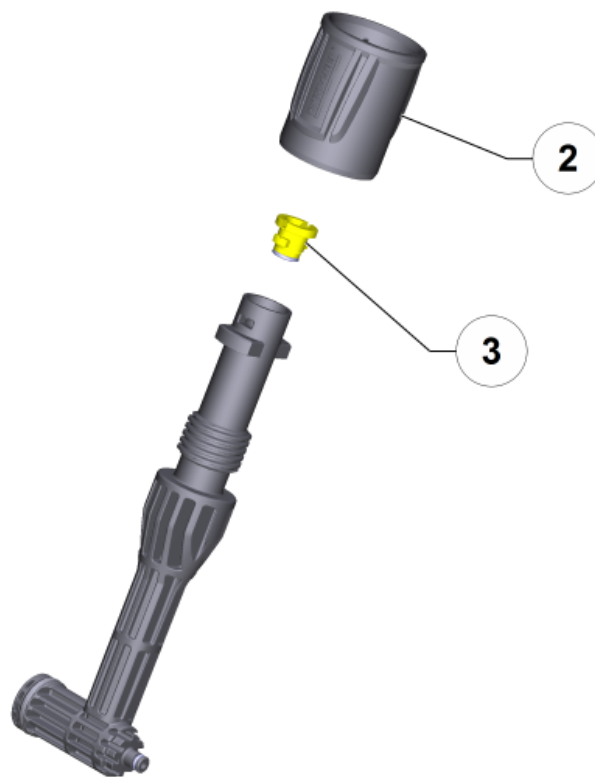
1 Single-step jet pipe extension (2.643-240.0)

POS	Article no.	Description	Quantity	Unit
10	5.310-160.0	Nut Kaercher	1.000	ST
3	2.640-729.0	O-Ring seal set	1.000	ST
8	5.332-464.0	Pressure spring	1.000	ST



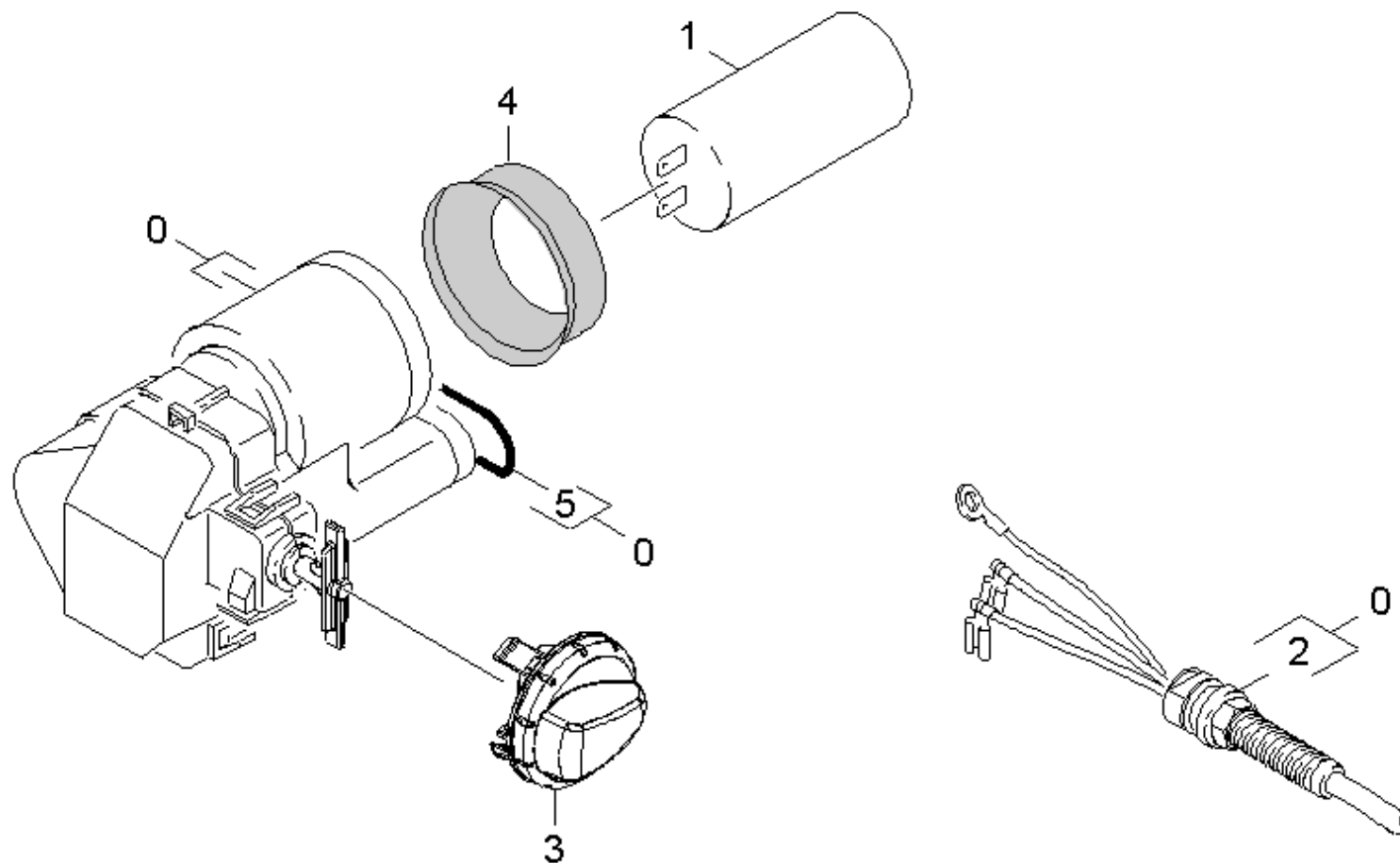
3 Bearing support kpl.

POS	Description	Quantity	Unit
1	Adapter complete	1.000	ST



1 Adapter complete

POS	Article no.	Description	Quantity	Unit
2	5.310-160.0	Nut Kaercher	1.000	ST
3	2.640-729.0	O-Ring seal set	1.000	ST



50 Electric box

POS	Article no.	Description	Quantity	Unit
2	9.084-139.0	Cable with plug *EU	1.000	ST
1	9.085-095.0	Capacitor 32uF	1.000	ST
0	9.001-767.0	Electric box spare part	1.000	ST
3	9.037-693.0	Handhold switch	1.000	ST
4	9.080-465.0	Joint ring capacitor d.45, 70 Shore	1.000	ST
5	9.081-417.0	O-Ring d.20 x 2	1.000	ST