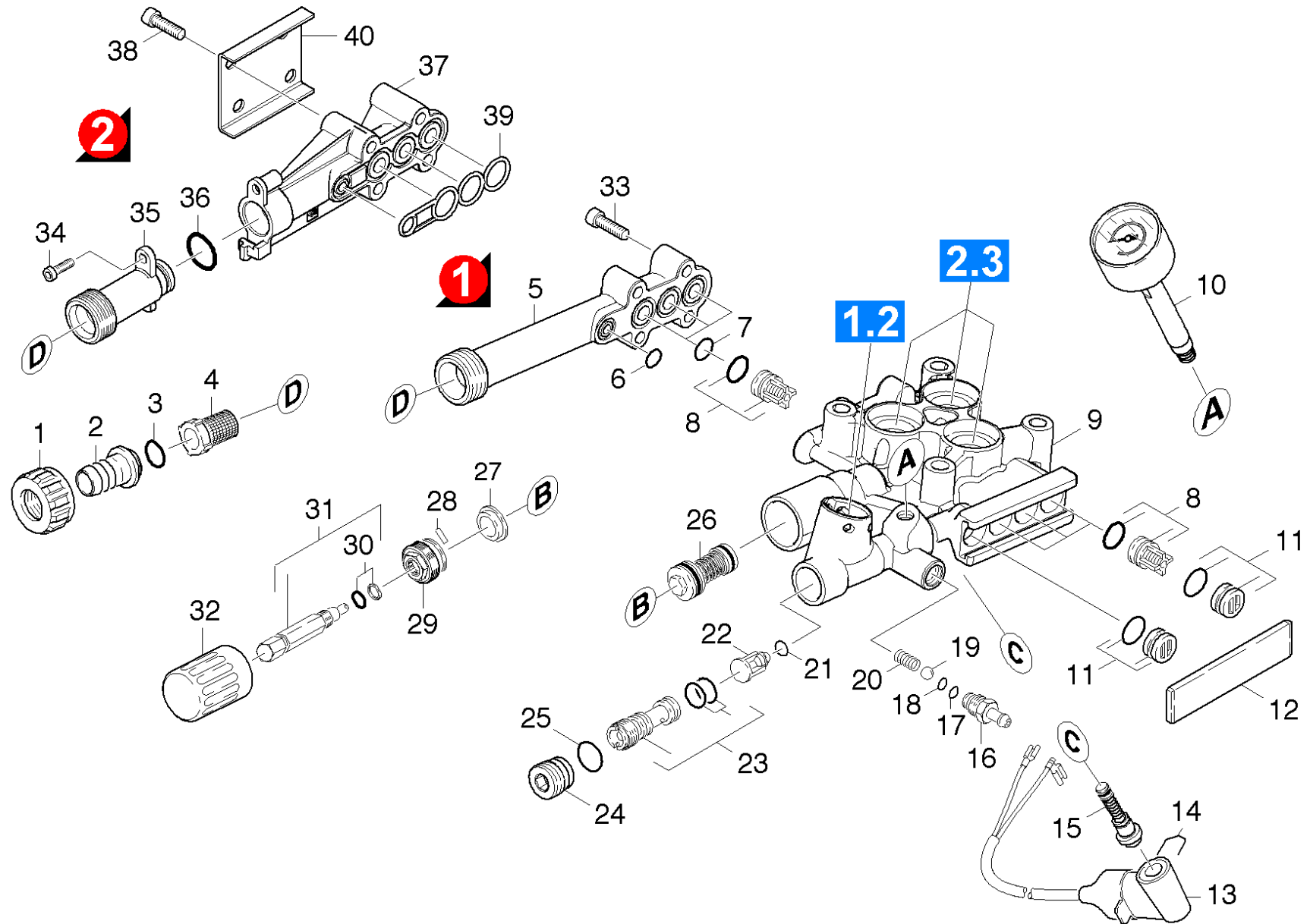


21 Cylinder head

Professional \ High pressure cleaner cold water \ Electric motor \ HD 7/18 CX *EU \ Spare parts list HD 6/15 CX HD 7/18 CX \ Pump set \ Cylinder head



21 Cylinder head

Professional \ High pressure cleaner cold water \ Electric motor \ HD 7/18 CX *EU \ Spare parts list HD 6/15 CX HD 7/18 CX \ Pump set \ Cylinder head



POS	Preces Nr.	Apraksts	Skaits	Vieniba	Sērijas numurs no	Sērijas numurs līdz	Zemsvītras piezīme
9	5.550-322.0	Cilindra galva	1.000	ST	0000000000	0000000000	
	Vienuma teksts 1: 1.150-651.0 / -652.0 / -653.0 / -654.0 /						
	Vienuma teksts 2: 1.150-657.0 / 1.214-126.0						
30	6.362-468.0	Gredzenblīve, pilns komplekts 1ST.-R.	1.000	ST	0000000000	0000000000	
21	6.363-613.0	Gredzenblīve 4 x 2 -NBR90	1.000	ST	0000000000	0000000000	
17	6.362-113.0	Gredzenblīve 6,0 x 2,0 NBR 70	1.000	ST	0000000000	0000000000	
6	6.362-384.0	Gredzenblīve 9x1,5 - NBR 70	1.000	ST	0000000000	0000000000	
25	6.362-480.0	Gredzenblīve 12,42x 1,78	1.000	ST	0000000000	0000000000	
3	6.362-078.0	Gredzenblīve 13,3x2,4	1.000	ST	0000000000	0000000000	
7	6.362-533.0	Gredzenblīve 14,0 X 1,5-NBR 70	3.000	ST	0000000000	0000000000	
36	6.362-481.0	Gredzenblīve 14,0 x 2,0 NBR 80	1.000	ST			
2	5.443-229.0	Hose stem	1.000	ST	0000000000	0000000000	
16	5.443-624.0	Nipelis	1.000	ST	0000000000	0000000000	
23	4.769-035.0	Nozzle insert	1.000	ST	0000000000	0000000000	
	Vienuma teksts 1: 1.150-651.0 /-652.0 /-653.0 /-654.0						
	Vienuma teksts 2: /-657.0						
23	4.769-034.0	Nozzle insert only for replacement	1.000	ST			
	Vienuma teksts 1: 1.214-126.0						
1	5.310-065.0	Nut	1.000	ST	0000000000	0000000000	
18	6.363-597.0	O-Ring seal 5,28 x 1,78	1.000	ST	0000000000	0000000000	
26	4.591-038.0	Overflow valve	1.000	ST	0000000000	0000000000	
12	5.003-062.0	Plate	1.000	ST	0000000000	0000000000	
40	5.005-314.0	Plate suction cover	1.000	ST			
10	6.421-349.0	Pressure guage	1.000	ST	0000000000	0000000000	
22	5.584-091.0	Pretvārsta ass	1.000	ST	0000000000	0000000000	
39	5.365-284.0	Profilētā blīve	1.000	ST			
100	2.883-997.0	Pump HD 5/12 C	1.000	ST	0000000000	0000000000	
	Vienuma teksts 1: 1.150-651.0 / -652.0 / -653.0 / -654.0 /						
	Vienuma teksts 2: -657.0 / 1.214-126.0						
100	2.885-242.0	Pump set HD 6/15 C	1.000	ST			FOR PISTON CERAMIC COATED
	Vienuma teksts 1: 1.150-651.0 /-652.0 /-653.0						
14	5.034-494.0	Retaining bracket	1.000	ST	0000000000	0000000000	

21 Cylinder head

Professional \ High pressure cleaner cold water \ Electric motor \ HD 7/18 CX *EU \ Spare parts list HD 6/15 CX HD 7/18 CX \ Pump set \ Cylinder head



POS	Preces Nr.	Apraksts	Skaits	Vienība	Sērijas numurs no	Sērijas numurs līdz	Zemsvītras piezīme
28	7.314-629.0	Rievota tapa 2x10 -A1 ISO 8742	1.000	ST	0000000000	0000000000	
24	5.411-171.0	Screw plug	1.000	ST	0000000000	0000000000	
19	7.401-908.0	Sfēra 7 G300 -1.4301 DIN 5401	1.000	ST	0000000000	0000000000	
4	6.414-252.0	Sieta filtrs	1.000	ST	0000000000	0000000000	
34	7.303-108.0	Skrūve 5x20 -10.9-R2R (In6Rd)	1.000	ST			
33	7.306-105.0	Skrūve M6x30 -8.8-R3R (In6Rd)	4.000	ST	0000000000	0000000000	
38	7.306-129.0	Skrūve M6x40 -8.8-R3R (In6Rd)	4.000	ST			
11	4.132-007.0	Spare part	4.000	ST	0000000000	0000000000	
15	2.884-501.0	Spare part set control piston	1.000	ST	0000000000	0000000000	
31	4.291-014.0	Spindle complete	1.000	ST	0000000000	0000000000	
20	5.332-258.0	Spirālveida atspere	1.000	ST	0000000000	0000000000	
13	4.744-168.0	Switch complete	1.000	ST	0000000000	0000000000	
37	5.064-230.0	Sūknēšanas kameras vāks	1.000	ST			
5	5.064-150.0	Sūknēšanas kameras vāks	1.000	ST	0000000000	0000000000	
35	5.402-727.0	Sūkšanas nipelis	1.000	ST			
32	5.321-307.0	Tureklis	1.000	ST	0000000000	0000000000	
27	5.110-630.0	Uzmava	1.000	ST	0000000000	0000000000	
8	2.884-916.0	Valve (3 Stück) from 2.885-299.0	2.000	ST	0000000000	0000000000	
29	5.583-147.0	Valve screw	1.000	ST	0000000000	0000000000	