

## **Spare parts list**

(1.667-294.0) NT 75/1 Tact Me Te H \*EU

## Table of contents

---

NT 75/1 Tact Me Te H *EU (1.667-294.0)	3
4 Spare parts list NT 75/1 Tact Me Te H *E (5.972-317.0)	4
10 Cover individual parts	5
24 Circuit board hose selector switch only (4.682-099.0)	7
20 Vacuum motor	8
30 Filter	11
40 Tank	13
31 Punched tape (5.020-796.0)	16
50 Accessories	17
1 Repair set (2.639-690.0)	19
3 Spare parts list add-on kit hose couplin (5.958-671.0)	20
10 Add-on kit hose coupling	21
5 Suction hose C35 (6.906-275.0)	23
5 Suction hose 35 (6.906-276.0)	24

NT 75/1 Tact Me Te H \*EU (1.667-294.0)

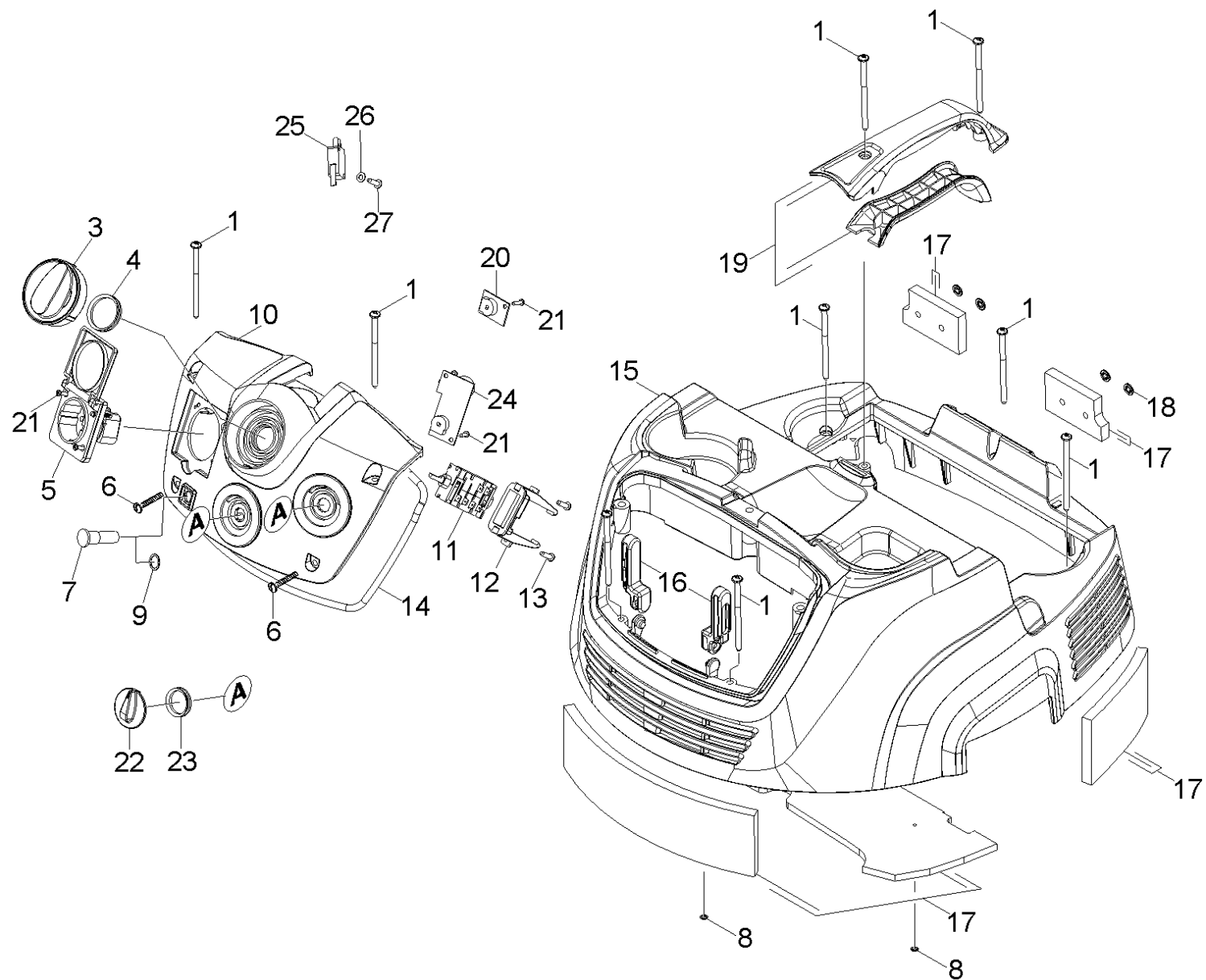
---

POS	Article no.	Description	Quantity	Unit
4	5.972-317.0	Spare parts list NT 75/1 Tact Me Te H *E	1.000	ST

#### 4 Spare parts list NT 75/1 Tact Me Te H \*E (5.972-317.0)

---

<b>POS</b>	<b>Description</b>	<b>Quantity</b>	<b>Unit</b>
10	Cover individual parts	1.000	ST
20	Vacuum motor	1.000	ST
30	Filter	1.000	ST
40	Tank	1.000	ST
50	Accessories	1.000	ST



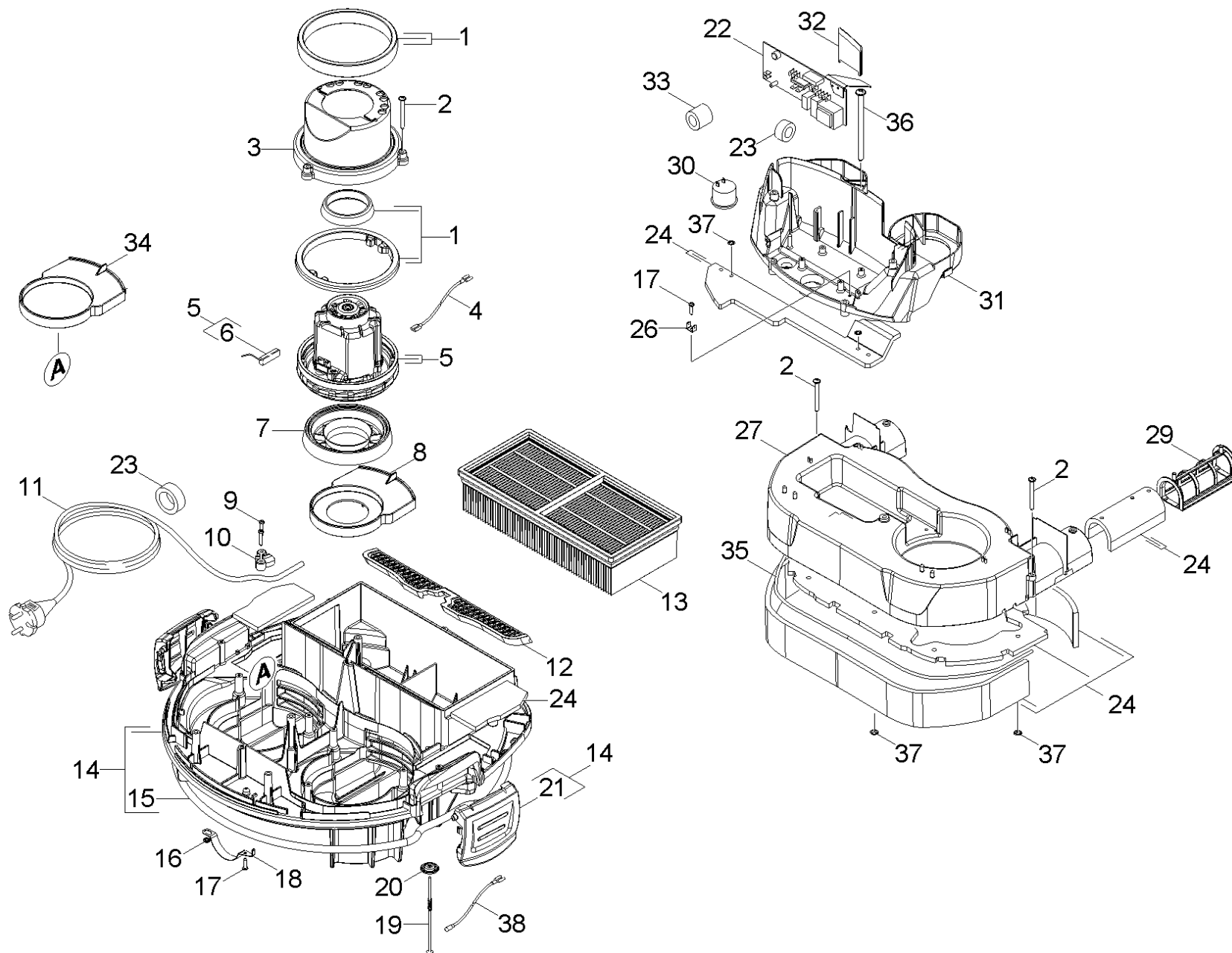
## 10 Cover individual parts

POS	Article no.	Description	Quantity	Unit
1	7.303-171.0	Screw 5x80 -10.9-R2R (K-In6Rd)	9.000	ST
3	5.744-023.0	Handle	1.000	ST
4	5.363-714.0	Seal switch	1.000	ST
5	6.646-432.0	Plug socket *EUROPA	1.000	ST
6	7.303-086.0	Screw 5x30 -10.9-R2R (K-In6Rd)	2.000	ST
7	6.651-433.0	Pilot lamp green	1.000	ST
8	6.343-145.0	Lock washer 5	2.000	ST
9	6.363-617.0	Joint ring pilot lamp	1.000	ST
10	5.841-557.0	Control panel H	1.000	ST
11	6.630-425.0	Rotary switch	1.000	ST
12	5.394-906.0	Holder switch	1.000	ST
13	7.303-117.0	Screw 4x20 -A2-70 (In6Rd)	2.000	ST
14	6.363-570.0	Cellular rubber seal string D6	1.000	ST
15	5.069-270.0	Cover	1.000	ST
16	2.501-001.0	Hinge set	2.000	ST
17	2.286-002.0	Insulating mat set cover	1.000	ST
18	6.343-169.0	Quick-fastener	4.000	ST
19	4.322-002.0	Handhold set	1.000	ST
20	4.682-098.0	Circuit board speed control only for rep	1.000	ST
21	7.303-092.0	Screw 3x12 -10.9-R2R (K-In6Rd)	6.000	ST
22	5.744-024.0	Handle	2.000	ST
23	5.363-774.0	Seal handle	2.000	ST
24	4.682-099.0	Circuit board hose selector switch only	1.000	ST
25	6.630-135.0	Micro switch	1.000	ST
26	7.312-001.0	Washer 4 -200HV-A3E ISO 7089	1.000	ST
27	7.303-205.0	Screw 4x16-St-10.9-R2R (In6Rd)	1.000	ST

24 Circuit board hose selector switch only (4.682-099.0)

---

<b>POS</b>	<b>Article no.</b>	<b>Description</b>	<b>Quantity</b>	<b>Unit</b>
6	6.376-017.0	Warning sign	1.000	ST
7	6.376-018.0	Warning sign	1.000	ST
8	6.376-036.0	Label spare parts neutrally 65x55 MM	1.000	ZST





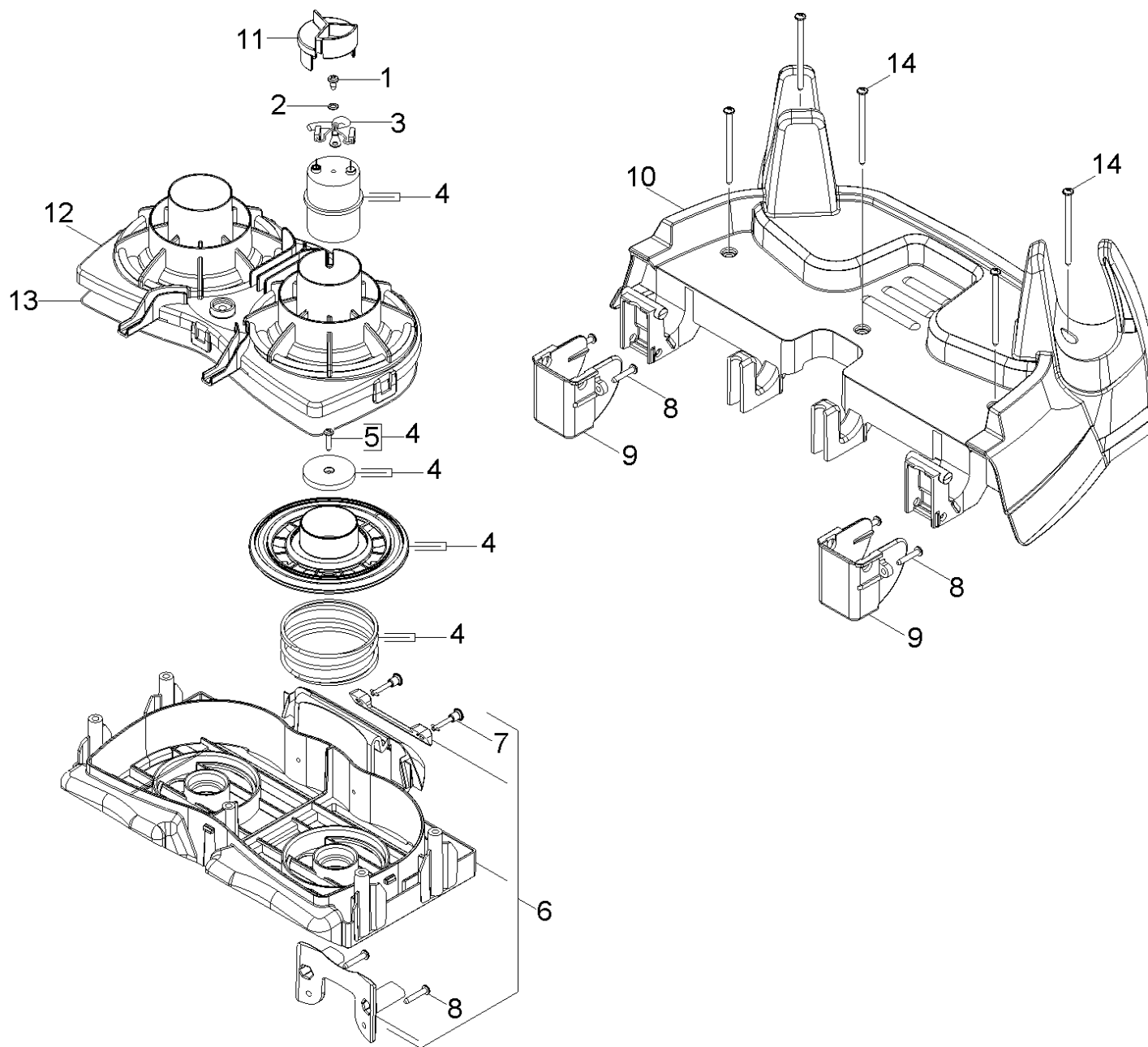
## 20 Vacuum motor

POS	Article no.	Description	Quantity	Unit
1	2.363-001.0	Seal turbine Set	1.000	ST
2	7.303-085.0	Screw 4x 35 -10.9-R2R (K-In6Rd)	5.000	ST
3	5.605-340.0	Housing turbine	1.000	ST
4	6.649-678.0	Cable turbine	2.000	ST
5	6.490-245.0	Vac motor 230V	1.000	ST
7	5.195-290.0	Bearing blower	1.000	ST
8	5.401-322.0	Insert housing base plate	1.000	ST
9	7.303-096.0	Screw 4x22 -ST-10.9-R2R (IN6RD)	2.000	ST
10	5.033-553.0	Covering cap power cable	1.000	ST
11	6.650-073.0	Power cable 10m *EU	1.000	ST
12	5.363-777.0	Seal supply air	1.000	ST
13	6.904-364.0	Flat-pleated filter packaged HEPA	1.000	ST
14	4.605-133.0	Housing base plate complete H	1.000	ST
15	6.362-857.0	Cord cellular rubber D10	1.000	ST
16	6.343-139.0	Lock washer	1.000	ST
17	7.303-129.0	Screw 4x16 -10.9-R2R (K-In6Rd)	2.000	ST
18	5.332-471.0	Spring electrically conducting	1.000	ST
19	5.107-287.0	Probe	2.000	ST
20	6.312-130.0	Washer	2.000	ST
21	5.033-434.0	Locking clip	2.000	ST
22	6.683-056.0	Electronics H	1.000	ST
23	6.346-043.0	Ferrite ring	1.000	ST
24	2.286-005.0	Insulating mat set H	1.000	ST
26	6.649-914.0	Tab	1.000	ST
27	5.605-370.0	Housing air circulation H	1.000	ST
29	5.394-867.0	Holder insulating mat	1.000	ST
30	6.424-020.0	Signal transmitter B/P 228	1.000	ST
31	5.394-899.0	Holder electronics H	4.000	ST
32	5.033-773.0	Moulded part	2.000	ST
33	6.346-047.0	Ferrite ring	1.000	ST
34	5.401-337.0	Insert housing base plate	1.000	ST
36	7.303-171.0	Screw 5x80 -10.9-R2R (K-In6Rd)	1.000	ST
37	6.343-145.0	Lock washer 5	6.000	ST

20 Vacuum motor

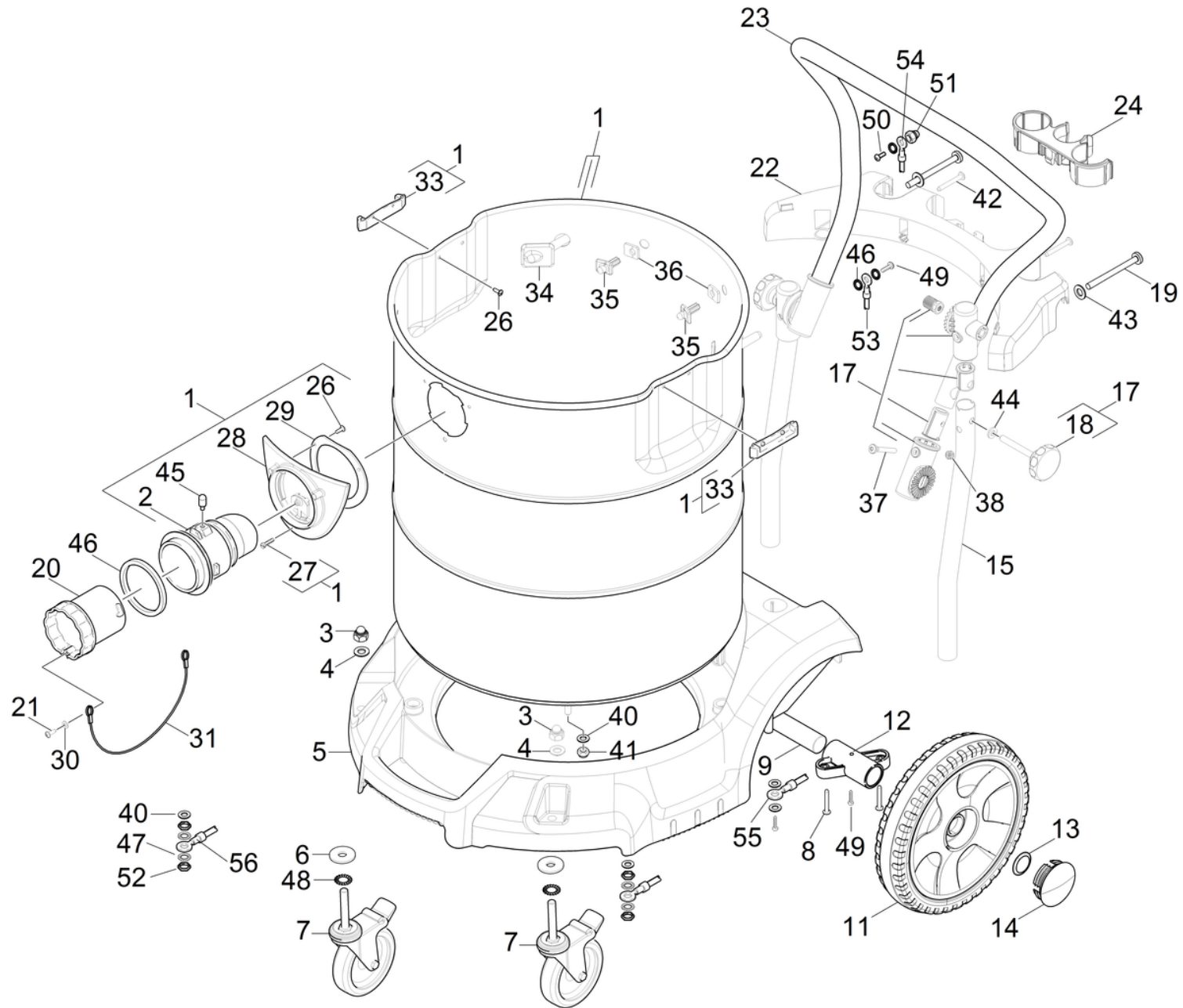
---

<b>POS</b>	<b>Article no.</b>	<b>Description</b>	<b>Quantity</b>	<b>Unit</b>
38	6.649-896.0	Cable probe	2.000	ST



## 30 Filter

POS	Article no.	Description	Quantity	Unit
1	7.303-030.0	Screw M4x8 -St-P2R (In6Rd)	1.000	ST
2	7.312-039.0	Serrated lock washer A4,3-1.4310 DIN 67	1.000	ST
3	6.649-885.0	Cable magnet H	1.000	ST
4	2.653-004.0	Magnet set	1.000	ST
5	6.303-568.0	Oval head screw with hexalobular socket	1.000	ST
6	4.605-148.0	Housing backwashing complete	1.000	ST
7	6.375-293.0	Locking plug	2.000	ST
8	7.303-096.0	Screw 4x22 -ST-10.9-R2R (IN6RD)	6.000	ST
9	5.044-976.0	Holder cover filter	2.000	ST
10	5.064-321.0	Cover Filter	1.000	ST
11	5.033-733.0	Adapter	1.000	ST
12	5.044-989.0	Holder magnet	1.000	ST
13	6.273-304.0	Seal string holder magnet	1.000	ST
14	7.303-171.0	Screw 5x80 -10.9-R2R (K-In6Rd)	5.000	ST



## 40 Tank

POS	Article no.	Description	Quantity	Unit
1	4.071-225.0	Tank metal replacement	1.000	ST
2	5.031-857.0	Suction connection EL.	1.000	ST
3	7.311-406.0	Cap nut M10-CU3-E2E DIN 1587	2.000	ST
4	7.312-066.0	Washer 10 -A2 ISO 7090	2.000	ST
5	5.521-046.0	Bumper	1.000	ST
6	7.312-262.0	Washer 10 -100HV-A3E ISO 7094	2.000	ST
7	6.435-870.0	Castor with metal LRATPA100GFISC10X65	2.000	ST
8	7.303-110.0	Screw 5x35 -10.9-R2R (In6Rd)	4.000	ST
9	5.105-663.0	Wheel axle	1.000	ST
11	4.515-320.0	Wheel complete	1.000	ST
12	5.044-937.0	Holder axle	2.000	ST
13	6.343-162.0	Lock washer -25	2.000	ST
14	2.889-086.0	Set wheel cap	1.000	ST
15	5.034-910.0	Shearing shackle bottom part	2.000	ST
17	4.210-253.0	Joint Set	2.000	ST
18	6.303-549.0	Star grip with screw	2.000	ST
19	7.303-155.0	Screw 5x100-A2-70 (IN6RD)	2.000	ST
20	5.470-011.0	Coupler	1.000	ST
21	7.303-106.0	Screw 4x12 -10.9-R2R (IN6RD)	1.000	ST
22	5.394-876.0	Holder accessories large	1.000	ST
23	5.034-893.0	Shearing shackle top part	1.000	ST
24	5.195-407.0	Holder accessories DN 35	1.000	ST
26	7.303-116.0	Screw 4x12-A2-70 (IN6RD)	6.000	ST
27	7.303-117.0	Screw 4x20 -A2-70 (In6Rd)	1.000	ST
28	5.032-412.0	Adapter	1.000	ST
29	5.363-591.0	Seal	1.000	ST
30	7.312-067.0	Washer 4-A2 ISO 7089	1.000	ST
31	5.020-796.0	Punched tape	2.000	ST
33	5.032-383.0	Holder closure	2.000	ST
34	5.033-653.0	Fixing	2.000	ST
35	5.032-366.0	TASSELLO PER CONTENITORE NT 72/2	2.000	ST
36	5.363-592.0	Seal	2.000	ST
37	7.306-129.0	Screw M6x40 -8.8-R3R (In6Rd)	2.000	ST

## 40 Tank

---

<b>POS</b>	<b>Article no.</b>	<b>Description</b>	<b>Quantity</b>	<b>Unit</b>
38	7.311-425.0	Hexagon nut M6 -04-A2E DIN 985	2.000	ST
40	7.312-017.0	Washer 8-A2 ISO 7089	4.000	ST
41	7.311-427.0	Hexagon nut M8 -04-A2E DIN 985	4.000	ST
42	7.303-118.0	Screw 5x40 -A2-70 (IN6Rd)	2.000	ST
43	7.312-278.0	Washer 5-200HV-A2E ISO7093-1	2.000	ST
44	7.312-090.0	Spring washer B8-FSt-A2E DIN 137	2.000	ST
45	5.317-099.0	Bolt electrically conducting	1.000	ST
46	6.273-009.0	Joint ring EPDM	1.000	ST

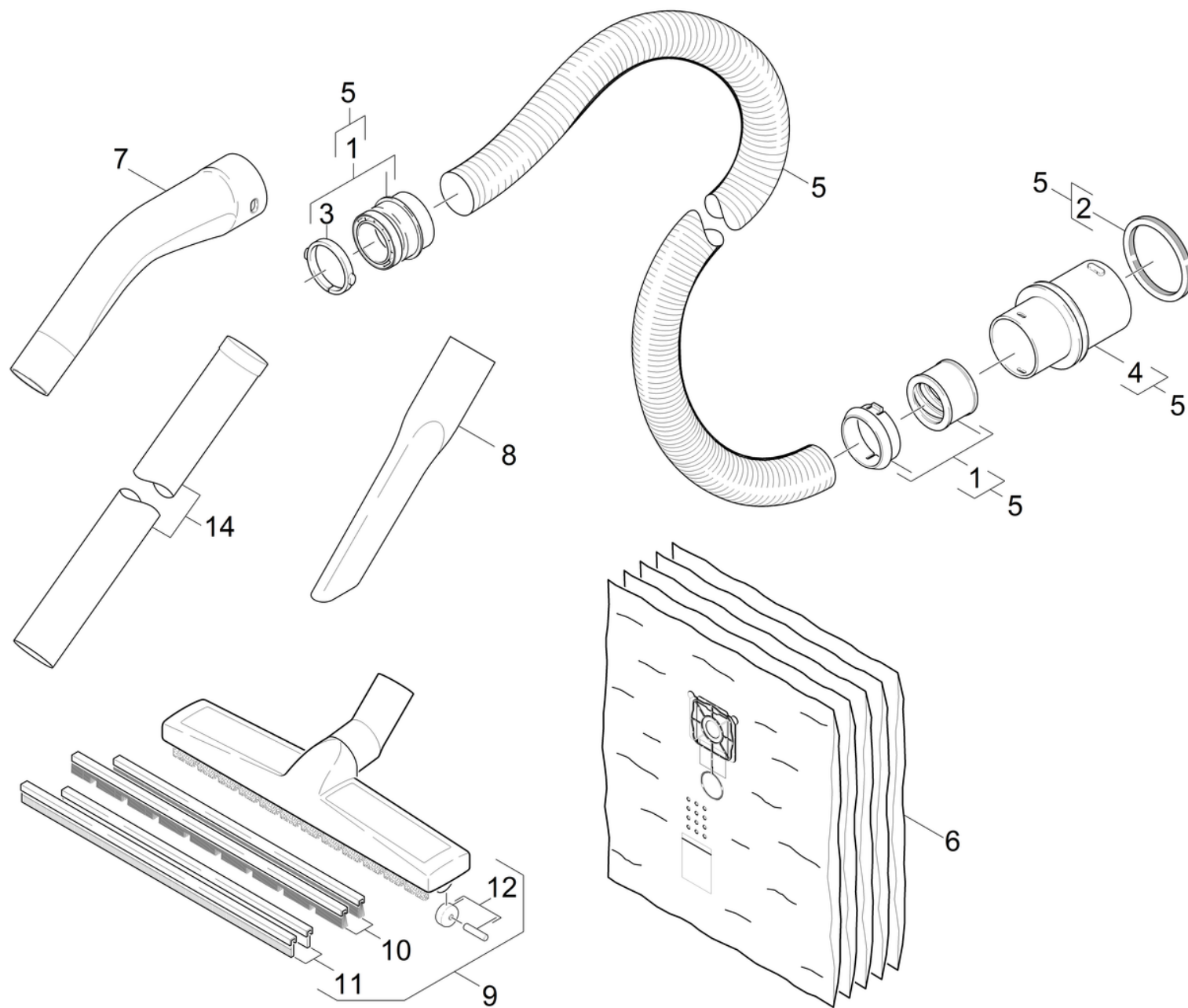
31 Punched tape (5.020-796.0)

---

<b>POS</b>	<b>Article no.</b>	<b>Description</b>	<b>Quantity</b>	<b>Unit</b>
1	6.641-488.0	Punched tape	0.200	M

---





## 50 Accessories

POS	Article no.	Description	Quantity	Unit
1	2.639-690.0	Repair set	1.000	ST
2	6.273-009.0	Joint ring EPDM	1.000	ST
3	5.031-703.0	Tension ring C35	1.000	ST
4	5.443-471.0	Hosebarb electrically conducting	1.000	ST
5	6.906-275.0	Suction hose C35	1.000	ST
6	6.904-420.0	Safety filter bag 5 Stck.	1.000	ST
7	5.031-939.0	Elbow	1.000	ST
8	6.906-240.0	Crevice nozzle DN35	1.000	ST
9	6.907-409.0	Floor tool packaged basalt grey DN35	1.000	ST
10	6.905-878.0	Brush strips set only for replacement	1.000	ST
11	6.905-877.0	Rubber lip set only for replacement	1.000	ST
12	4.515-342.0	Roller complete with axle	2.000	ST
14	6.900-514.0	Suction tube DN35	2.000	ST

1 Repair set (2.639-690.0)

---

POS	Article no.	Description	Quantity	Unit
3	5.958-671.0	Spare parts list add-on kit hose couplin	1.000	ST
<b>Item text2: 26396900</b>				

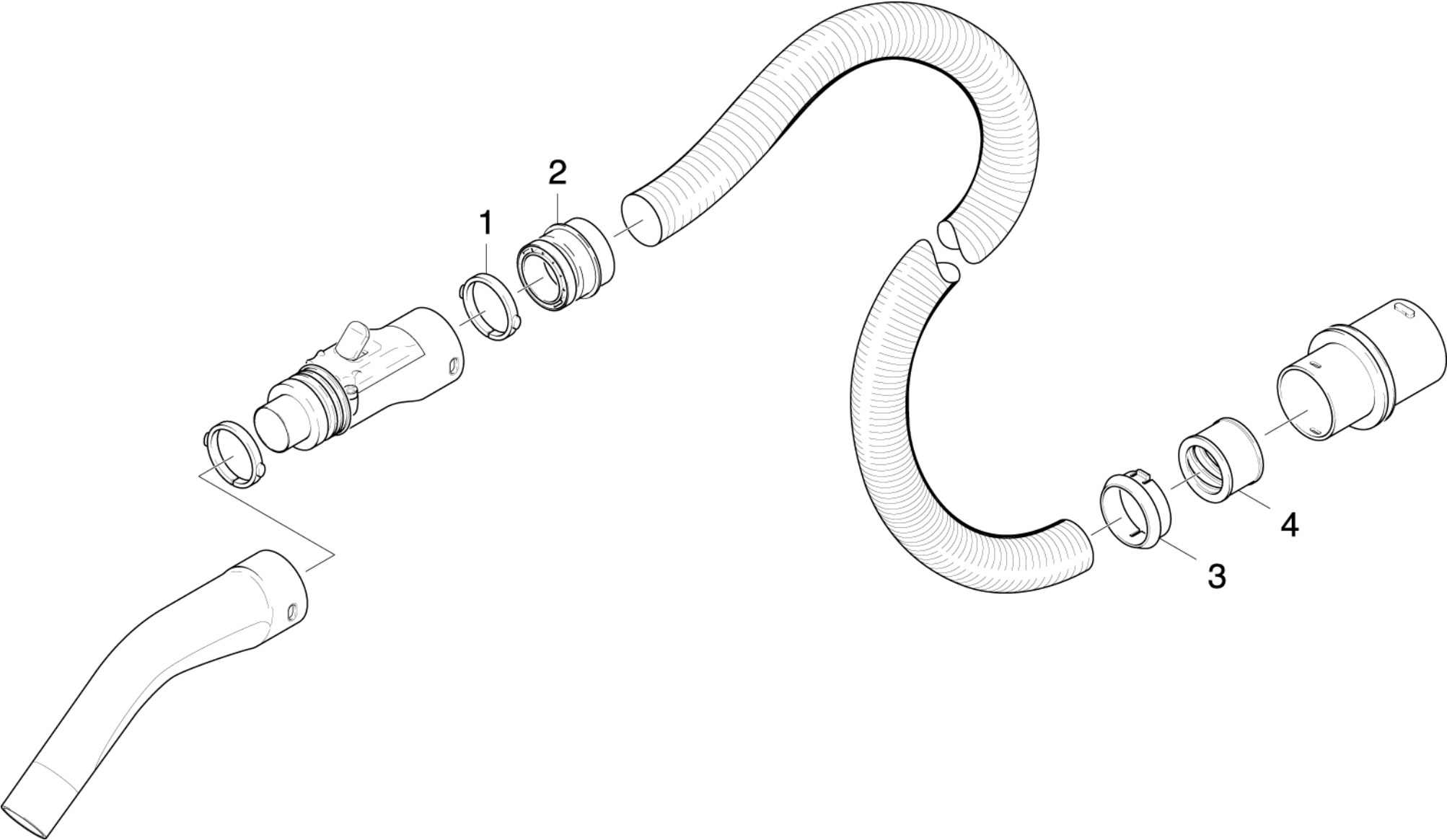
---

3 Spare parts list add-on kit hose couplin (5.958-671.0)

---

<b>POS</b>	<b>Description</b>	<b>Quantity</b>	<b>Unit</b>
10	Add-on kit hose coupling	1.000	ST

---



## 10 Add-on kit hose coupling

---

<b>POS</b>	<b>Article no.</b>	<b>Description</b>	<b>Quantity</b>	<b>Unit</b>
1	5.031-703.0	Tension ring C35	1.000	ST
2	5.406-019.0	Threaded ring C35EL	1.000	ST
3	6.902-065.0	Clamp sleeve	1.000	ST
4	6.902-112.0	Threaded ring	1.000	ST

5 Suction hose C35 (6.906-275.0)

---

<b>POS</b>	<b>Article no.</b>	<b>Description</b>	<b>Quantity</b>	<b>Unit</b>
5	6.906-276.0	Suction hose 35	1.000	ST
6	5.031-703.0	Tension ring C35	1.000	ST

## 5 Suction hose 35 (6.906-276.0)

---

<b>POS</b>	<b>Article no.</b>	<b>Description</b>	<b>Quantity</b>	<b>Unit</b>
1	5.443-471.0	Hosebarb electrically conducting	1.000	ST
2	6.273-009.0	Joint ring EPDM	1.000	ST
3	6.902-065.0	Clamp sleeve	1.000	ST
4	6.902-112.0	Threaded ring	1.000	ST
5	5.406-019.0	Threaded ring C35EL	1.000	ST