

Spare parts list

(1.629-120.0) A 2003 *EU

Table of contents

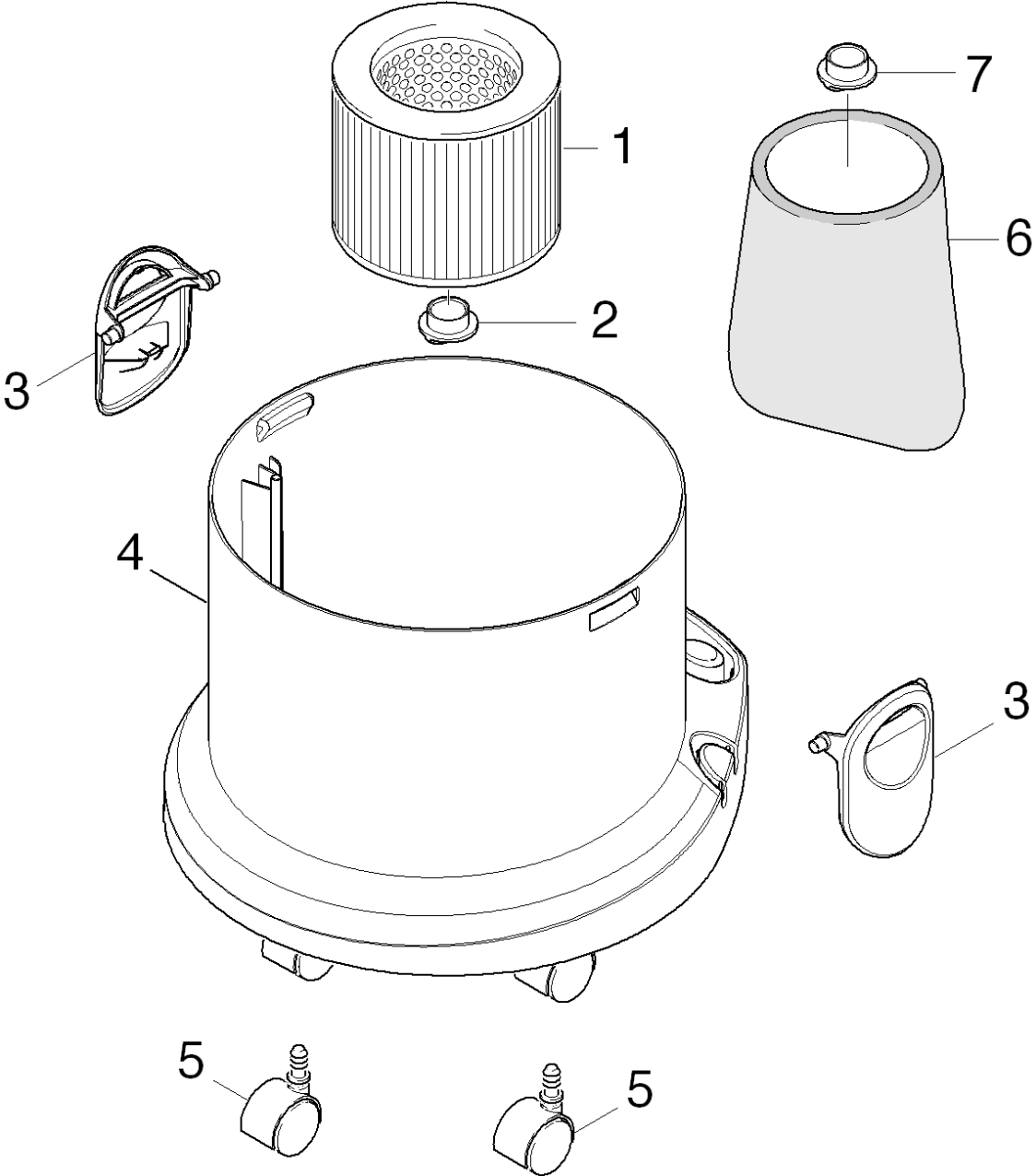
A 2003 *EU (1.629-120.0)	3
60 Spare parts list A 2004 (5.970-361.0)	4
10 Appliance individual parts	5
20 Vacuum motor	7
30 Accessories	10

A 2003 *EU (1.629-120.0)

POS	Article no.	Description	Quantity	Unit
60	5.970-361.0	Spare parts list A 2004	1.000	ST
	Item text2: 12931010			

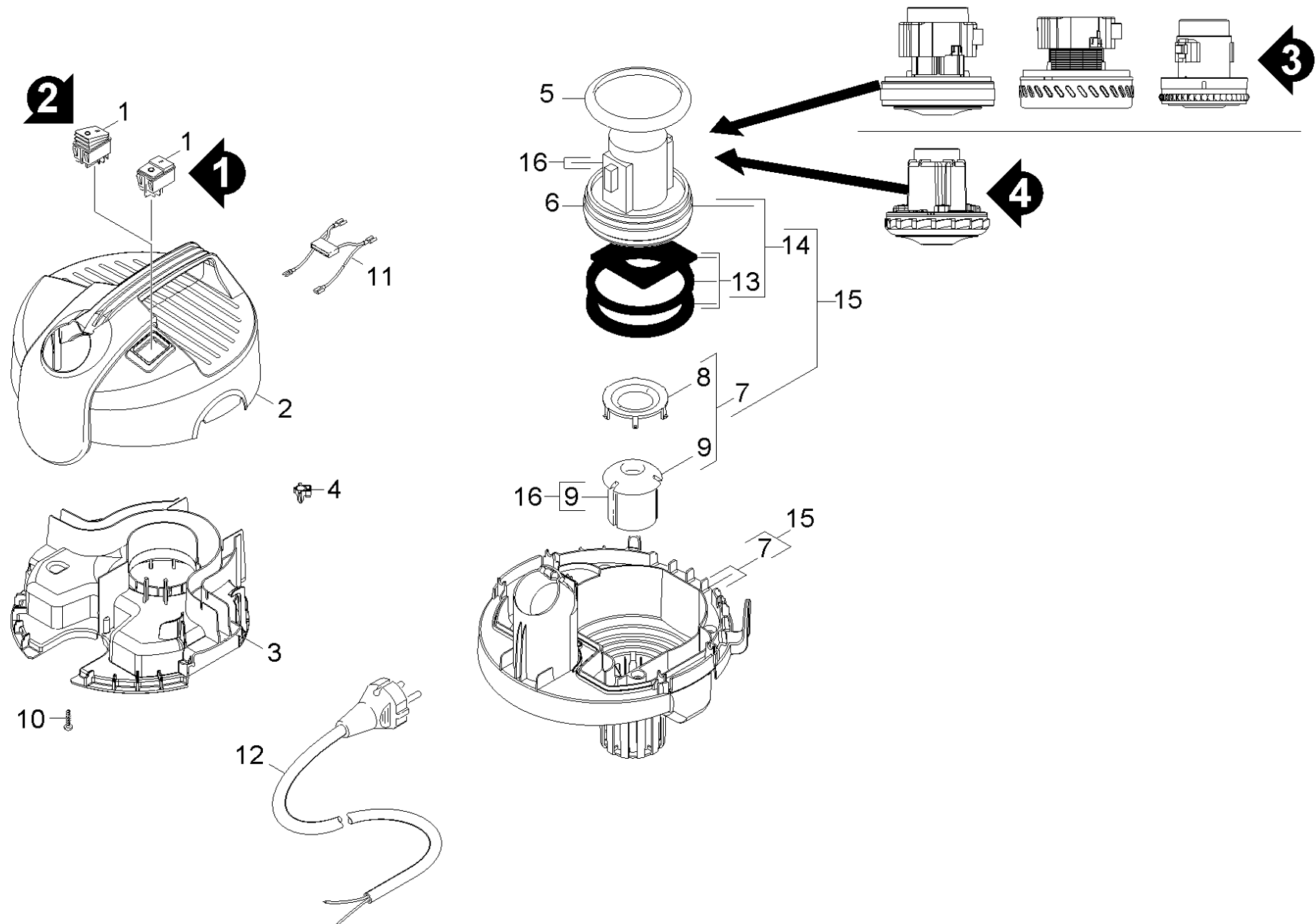
60 Spare parts list A 2004 (5.970-361.0)

POS	Description	Quantity	Unit
30	Accessories	1.000	ST
10	Appliance individual parts	1.000	ST
20	Vacuum motor	1.000	ST



10 Appliance individual parts

POS	Article no.	Description	Quantity	Unit
1	6.414-552.0	Cartridge filter	1.000	ST
5	6.435-353.0	Castor D 42	4.000	ST
3	5.075-033.0	Closure	2.000	ST
2	4.075-012.0	Closure complete	1.000	ST
7	9.036-691.0	Covering cap	1.000	ST
6	5.731-595.0	Filter	1.000	ST
4	5.070-667.0	Tank	1.000	ST

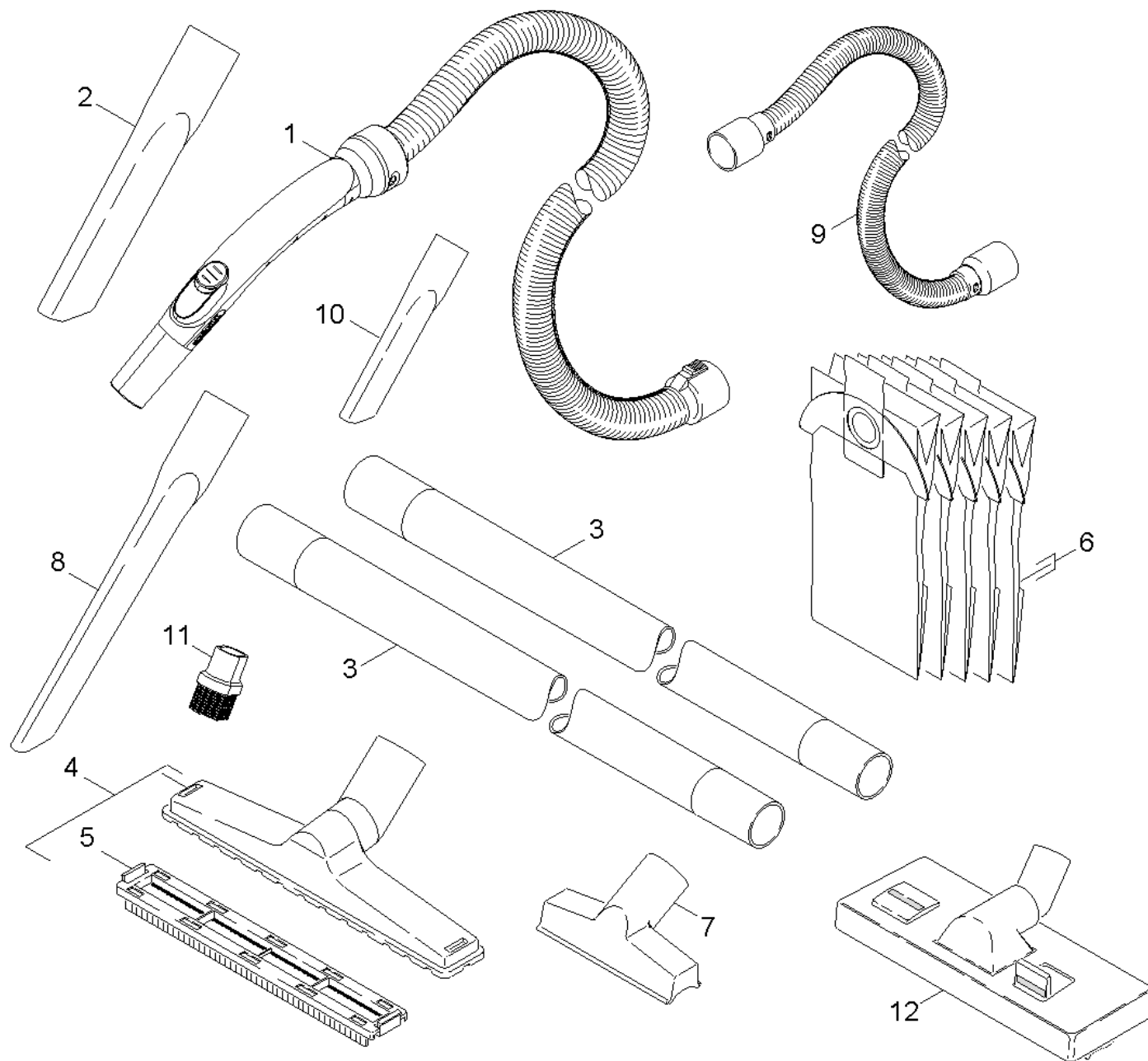


20 Vacuum motor

POS	Article no.	Description	Quantity	Unit	Remark	Foot note text
3	5.692-076.0	Air circulation	1.000	ST		VERSION 3
3	5.053-179.0	Air circulation base	1.000	ST		VERSION 4
13	4.490-010.0	Bearing set for Motor (1.629-XXX)	1.000	ST		VERSION 3
11	9.424-035.0	Cable and capacitor	1.000	ST		VERSION 2
	Item text1: / 1.629-100.0					
11	9.084-176.0	Cable and capacitor	1.000	ST		VERSION 1
	Item text1: /1.629-104.0 / -121.0					
11	9.084-178.0	Cable set A22X4 *JP	1.000	ST		VERSION 1
	Item text1: / 1.629-106.0					
11	4.629-004.0	Cable with capacitor	1.000	ST	Version 1+4	
12	6.648-186.0	Cable with plug *AR	1.000	ST		
	Item text1: /1.629-119.0					
12	6.649-148.0	Cable with plug *AU	1.000	ST		
	Item text1: / 1.629-103.0					
12	6.649-056.0	Cable with plug *CN	1.000	ST		
	Item text1: / 1.629-107.0					
12	6.647-996.0	Cable with plug *EU Cable with plug	1.000	ST		
	Item text1: / 1.629-100.0/-108.0/-120.0/-150.0					
12	6.648-021.0	Cable with plug *GB	1.000	ST		
	Item text1: / 1.629-101.0					
12	9.084-161.0	Cable with plug 2x16 AWG *MX/ *BR	1.000	ST		
	Item text1: /1.629-104.0 / -121.0					
12	9.084-180.0	Cable with plug A22X4 *JP	1.000	ST		
	Item text1: / 1.629-106.0					
12	6.650-092.0	Cable with plug H05 VV-F 2x0,75 *CH	1.000	ST		
	Item text1: / 1.629-102.0 / -151.0					
2	5.069-244.0	Cover	1.000	ST		VERSION 2
2	5.069-129.0	Cover for replacement A 2004 / Car Vac	1.000	ST		VERSION 1
8	9.036-573.0	Covering cap	1.000	ST		
9	9.037-076.0	Float A2204	1.000	ST		
7	4.053-230.0	Motor bracket complete	1.000	ST		VERSION 3
7	4.053-259.0	Motor bracket complete for replacement	1.000	ST		VERSION 4

20 Vacuum motor

POS	Article no.	Description	Quantity	Unit	Remark	Foot note text
4	5.034-734.0	Retaining bracket	1.000	ST		
	Item text1: / 1.629-100.0 /-101.0/-102.0/-103.0/ -106.0/-107.0/-108.0/-119.0/-119.0 /-120.0/-150.0/-151.0					
4	5.034-736.0	Retaining bracket cable	1.000	ST		
	Item text1: /1.629-104.0 / -121.0					
10	7.303-096.0	Screw 4x22 -ST-10.9-R2R (IN6RD)	5.000	ST		
5	9.079-024.0	Seal motor above	1.000	ST		VERSION 3
5	5.195-289.0	Seal working air 1000W	1.000	ST		VERSION 4
11	2.884-135.0	Spare part set cable	1.000	ST	Version 1+3	
	Item text1: / 1.629-100.0 /-101.0/-102.0/-103.0 /-107.0/-108.0/-119.0/-120.0/-150.0/-151.0					
1	6.632-431.0	Switch	1.000	ST		VERSION 2
1	6.630-087.0	Switch	1.000	ST		VERSION 1
6	6.490-114.0	Vacuum motor 100V	1.000	ST		
	Item text1: /1.629-106.0					
6	6.490-185.0	Vacuum motor 1000 W 120 V / UL	1.000	ST		
	Item text1: /1.629-104.0 / -121.0					
15	4.490-013.0	Vacuum motor complete for replacement 12	1.000	ST		VERSION 3
	Item text1: /1.629-100.0 / -101.0 / -102.0 / -103.0					
	Item text2: / -108.0					
16	4.490-012.0	Vacuum motor complete for replacement 12	1.000	ST		VERSION 4
	Item text1: /1.629-100.0 / -101.0 / -102.0 / -103.0					
	Item text2: / -108.0					
14	4.490-008.0	Vacuum motor complete only for replaceme	1.000	ST		
	Item text1: /1.629-107.0 / -119.0 / -120.0 / -150.0					
	Item text2: / -151.0					



30 Accessories

POS	Article no.	Description	Quantity	Unit
11	5.762-323.0	Brush crevice nozzle	1.000	ST
	Item text1: //1.629-150.0/-151.0			
12	6.906-511.0	Combination nozzle DN35	1.000	ST
	Item text1: //1.629-121.0			
10	6.906-645.0	Crevice nozzle DN31	1.000	ST
	Item text1: //1.629-150.0/-151.0			
2	6.900-385.0	Crevice nozzle DN35	1.000	ST
	Item text1: //1.629-100.0 /-101.0 /-102.0 /-103.0 /-104.0/-106.0/-107.0/-108.0/-119.0/-120.0/-151.0			
8	2.863-223.0	Crevice nozzle extra long	1.000	ST
	Item text1: //1.629-121.0 / -150.0 / -151.0			
6	6.904-322.0	Filter bags 5St.	1.000	ST
4	2.862-141.0	Floor tool complete	1.000	ST
9	2.863-112.0	Hose Flex-Tool	1.000	ST
	Item text1: //1.629-150.0/-151.0			
5	9.036-892.0	Mixing insert	1.000	ST
1	9.012-109.0	Suction hose complete DN35x2	1.000	ST
3	2.863-148.0	Suction tube DN35	2.000	ST
7	6.905-998.0	Upholstery nozzle complete NW35	1.000	ST
	Item text1: //1.629-107.0/-150.0/-151.0			