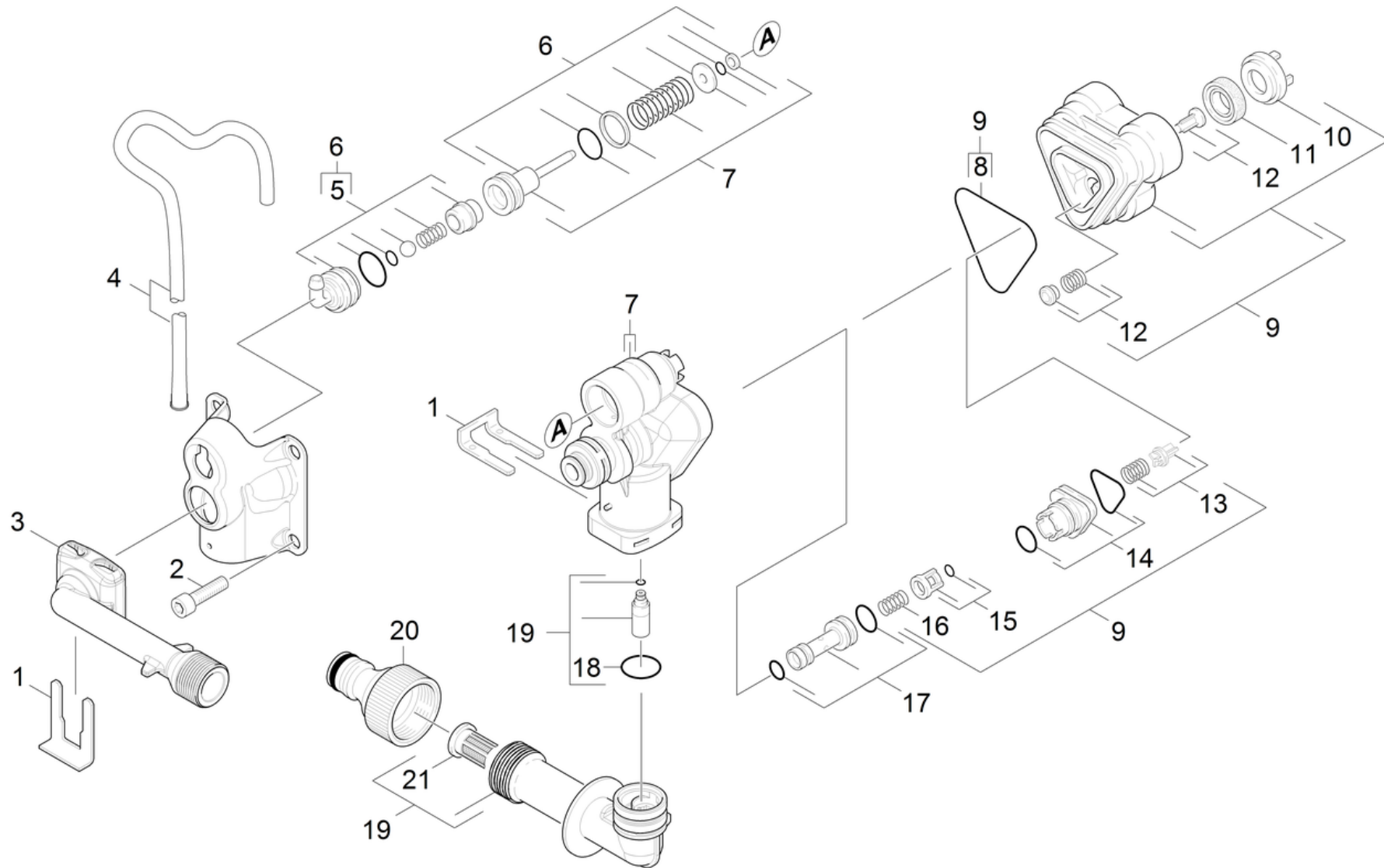


## 21 Housing

Home and Garden \ High pressure cleaner cold water \ Electric motor \ K 2 \ K 2 Car \*JP \ Spare parts list K2 Car \*JP \ Pump set \ Housing



## 21 Housing

Home and Garden \ High pressure cleaner cold water \ Electric motor \ K 2 \ K 2 Car \*JP \ Spare parts list K2 Car \*JP \ Pump set \ Housing

**KÄRCHER**

POS	Article no.	Description	Quantity	Unit	Foot note text
1	9.039-148.0	Metal fork	2	PC	
2	7.306-151.0	Cylinder head screw M8x65 -8.8-A2E ISO4	4	PC	
3	9.755-236.0	Connection delivery side spare part K2 M	1	PC	
4	9.011-911.0	Filter cleaning agents W107/207	1	PC	
5	9.001-741.0	Aspiration cleaning agents for replaceme	1	PC	
6	9.755-285.0	Pressostat piston and detergent fitting	1	PC	
7	9.755-286.0	Manifold with pressostat spring assem.	1	PC	
8	9.081-422.0	Form seal	1	PC	
9	9.755-282.0	H.P. head cpl. spare part neu	1	PC	
10	9.755-271.0	Water sealing spacer spare part	3	PC	
11	6.362-875.0	Grooved ring	3	PC	
12	9.755-273.0	Inlet valve spring with washer spare p	1	PC	SET CONSITSTS OF 3X VALVE
13	9.755-274.0	Outlet valve with spring spare part	1	PC	SET CONSITSTS OF 3X VALVE
14	9.755-275.0	Connecting bushing assembly spare part	1	PC	
15	9.755-276.0	Back flow valve assembly spare part	1	PC	
16	9.755-277.0	Back flow valve spring spare part	1	PC	
17	9.755-278.0	Venturi nozzle d1,6 assem.	1	PC	
18	9.755-279.0	O-Ring seal d.20,5x2,2 NBR 7 spare part	1	PC	
19	9.755-013.0	Inlet fitting cpl. replacement	1	PC	
20	6.465-031.0	Connection 3/4	1	PC	
21	9.755-280.0	Fine filter spare part	1	PC	