

Spare parts list

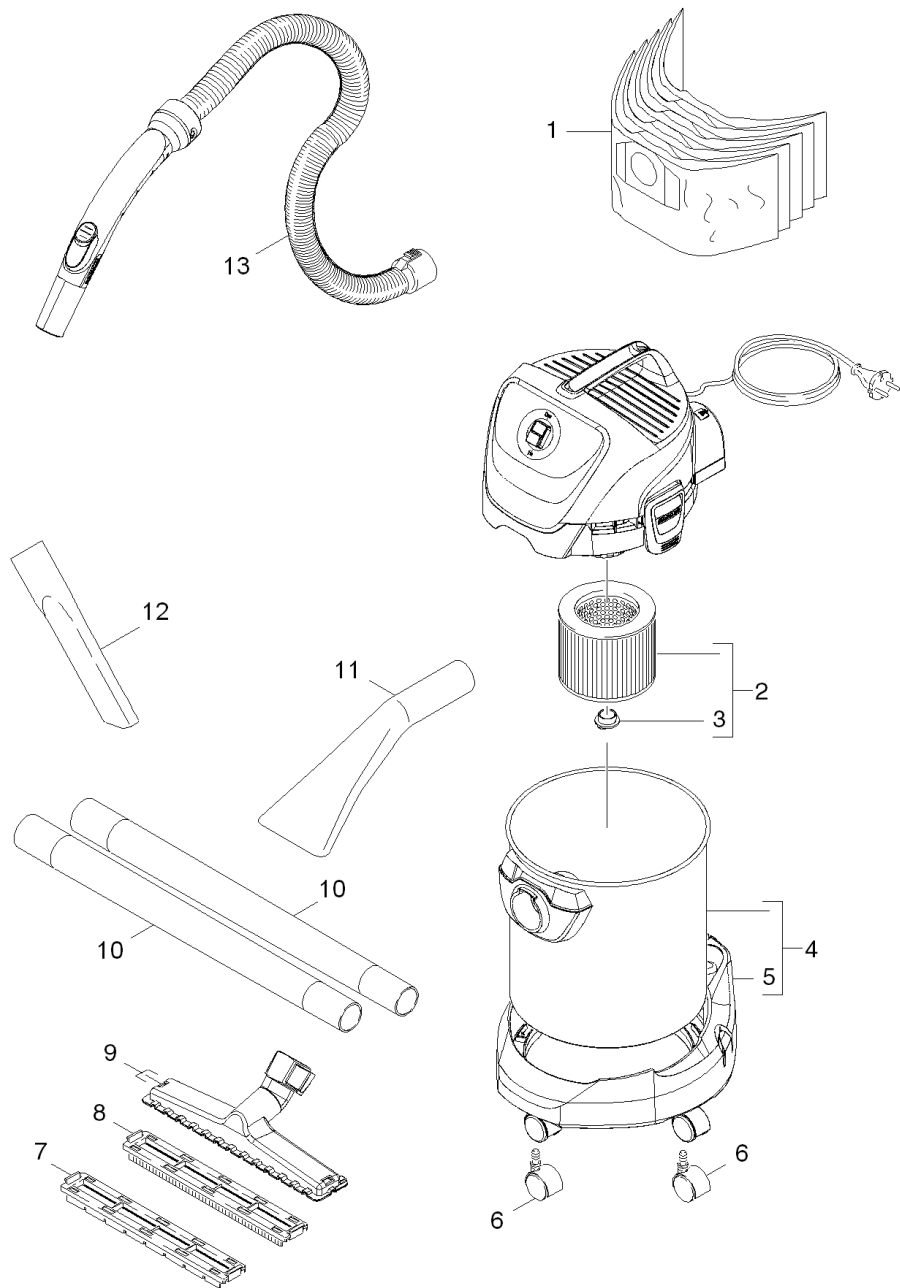
(1.629-651.0) WD 3.300 M *EU-II

Table of contents

WD 3.300 M *EU-II (1.629-651.0)	3
Short spare parts list	4
Spare parts list WD 3.300 (5.971-101.0)	6
10 Appliance individual parts	7
20 Tank	10
30 Accessories	12

WD 3.300 M *EU-II (1.629-651.0)

POS	Article no.	Description	Quantity	Unit
0		Short spare parts list	1.000	ST
0	5.971-101.0	Spare parts list WD 3.300	1.000	ST
Item text2: 12931010				

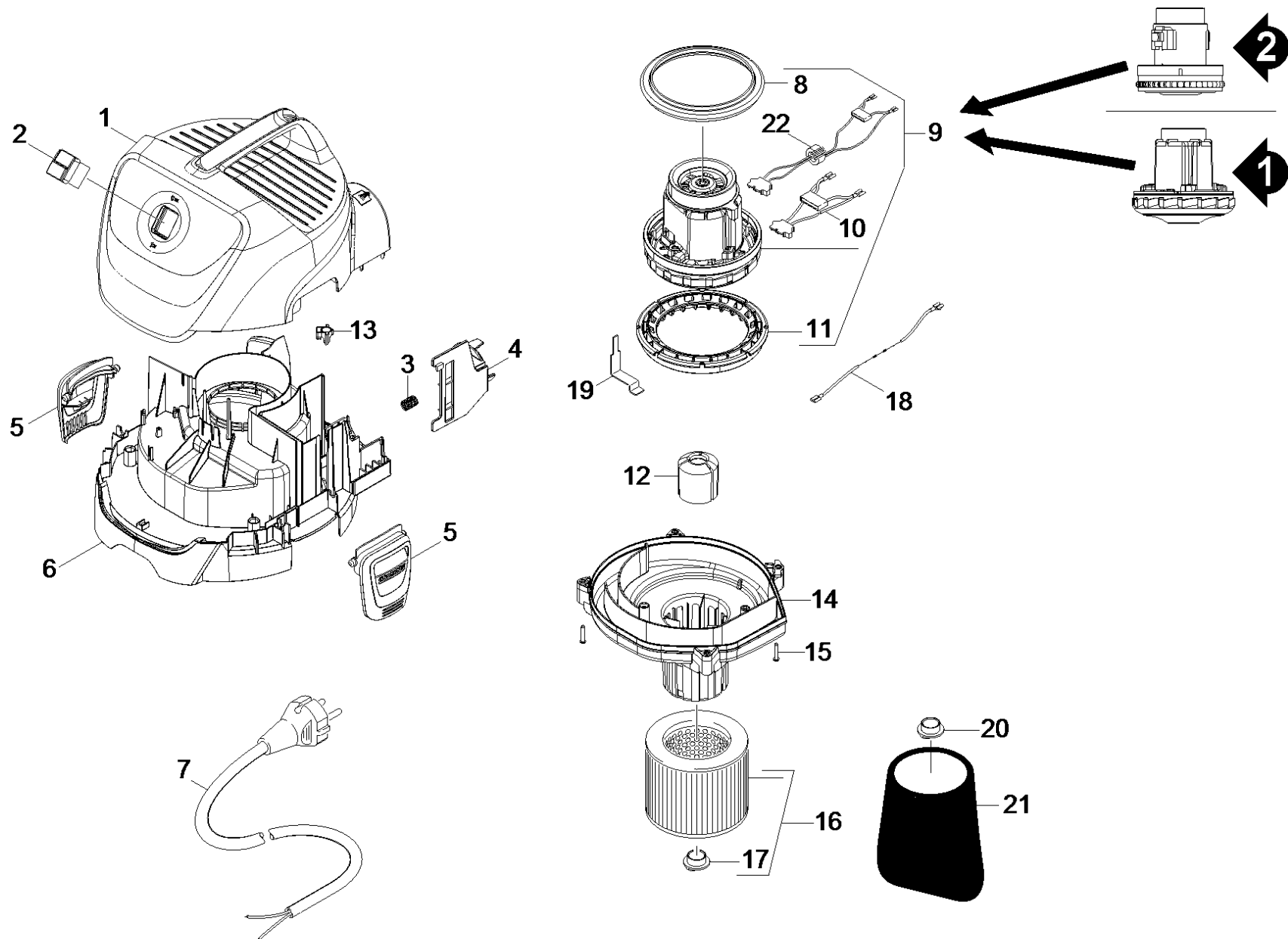


Short spare parts list

POS	Article no.	Description	Quantity	Unit
5	5.640-364.0	Bumper	1.000	ST
11	2.863-145.0	Car nozzle WD/SE	1.000	ST
2	6.414-552.0	Cartridge filter WD/SE	1.000	ST
6	6.435-353.0	Castor D 42	4.000	ST
3	4.075-012.0	Closure complete	1.000	ST
12	6.900-385.0	Crevice nozzle DN35	1.000	ST
1	6.959-130.0	Filter bag WD/SE 5pc.	1.000	ZSA
9	4.629-007.0	Floor tool DN35	1.000	ST
7	4.629-005.0	Insert dry	1.000	ST
8	4.629-006.0	Insert nass	1.000	ST
10	2.863-148.0	Suction tube DN35	2.000	ST
4	4.070-787.0	Tank complete M 17l	1.000	ST

Spare parts list WD 3.300 (5.971-101.0)

POS	Description	Quantity	Unit
30	Accessories	1.000	ST
10	Appliance individual parts	1.000	ST
20	Tank	1.000	ST

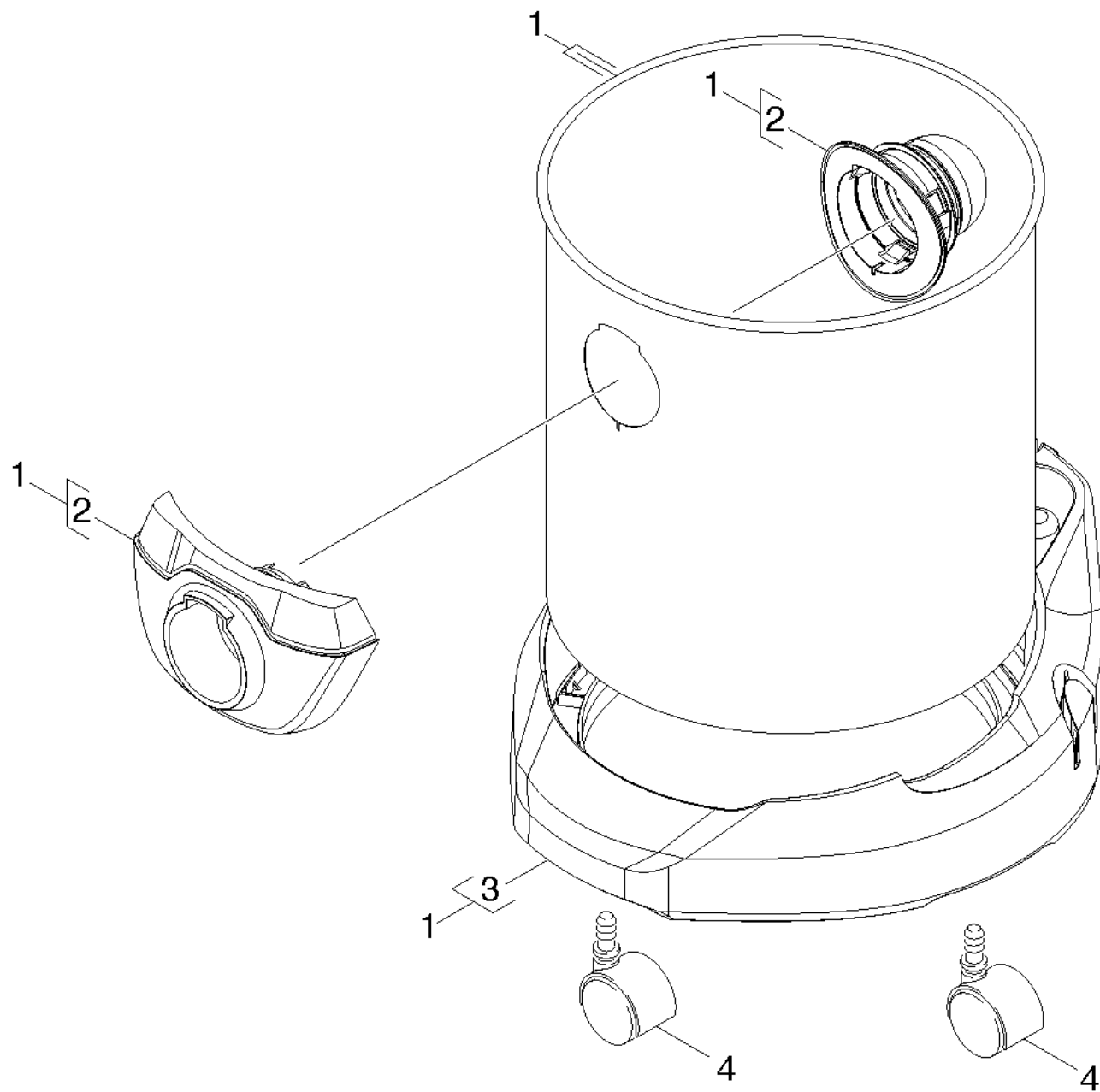


10 Appliance individual parts

POS	Article no.	Description	Quantity	Unit	Remark	Foot note text
11	5.365-324.0	Bearing motor height compensation	1.000	ST		VERSION 2
11	5.731-657.0	Bearing turbine new Domel CER	1.000	ST		VERSION 1
22	4.649-076.0	Cable ferrite ring complete	1.000	ST		VERSION 2
22	4.649-075.0	Cable ferrite ring complete Domel	1.000	ST		VERSION 1
18	6.645-179.0	Cable strand earthing	1.000	ST		
10	4.649-109.0	Cable with capacitor 100/120V	1.000	ST		
	Item text1: 1.629-654.0 / -664.0					
10	6.650-121.0	Cable with capacitor DNA	1.000	ST		
	Item text1: 1.629-653.0					
7	6.649-148.0	Cable with plug *AU	1.000	ST	*AU	
7	6.649-056.0	Cable with plug *CN	1.000	ST	*CN	
7	6.647-996.0	Cable with plug *EU Cable with plug	1.000	ST	*EU	
7	6.648-021.0	Cable with plug *GB	1.000	ST	*GB	
7	6.649-967.0	Cable with plug *JP	1.000	ST	*JP	
7	6.650-261.0	Cable with plug *TW	1.000	ST	*TW	
7	6.650-092.0	Cable with plug H05 VV-F 2x0,75 *CH	1.000	ST	*CH	
16	6.414-552.0	Cartridge filter WD/SE	1.000	ST		
5	5.075-037.0	Closure	2.000	ST		
17	4.075-012.0	Closure complete	1.000	ST		
20	9.036-691.0	Covering cap	1.000	ST		
1	5.069-310.0	Cover WD 3 / WD 3.XXX neutral	1.000	ST		
21	5.731-595.0	Filter	1.000	ST		
14	5.731-646.0	Filter cage	1.000	ST		
12	5.585-054.0	Floater	1.000	ST		
3	5.332-997.0	Helical spring	1.000	ST		
6	5.053-185.0	Motor bracket M	1.000	ST		
13	5.034-734.0	Retaining bracket	1.000	ST		
	Item text1: 1.629-650.0 / -651.0 / -652.0 / -653.0 / -655.0 / -656.0 / -657.0 / -668.0 / -669.0					
13	5.034-736.0	Retaining bracket cable	1.000	ST		
	Item text1: 1.629-654.0 / -664.0					
15	7.303-096.0	Screw 4x22 -ST-10.9-R2R (IN6RD)	6.000	ST		
8	9.079-024.0	Seal motor above	1.000	ST		
4	5.640-363.0	Slider	1.000	ST		

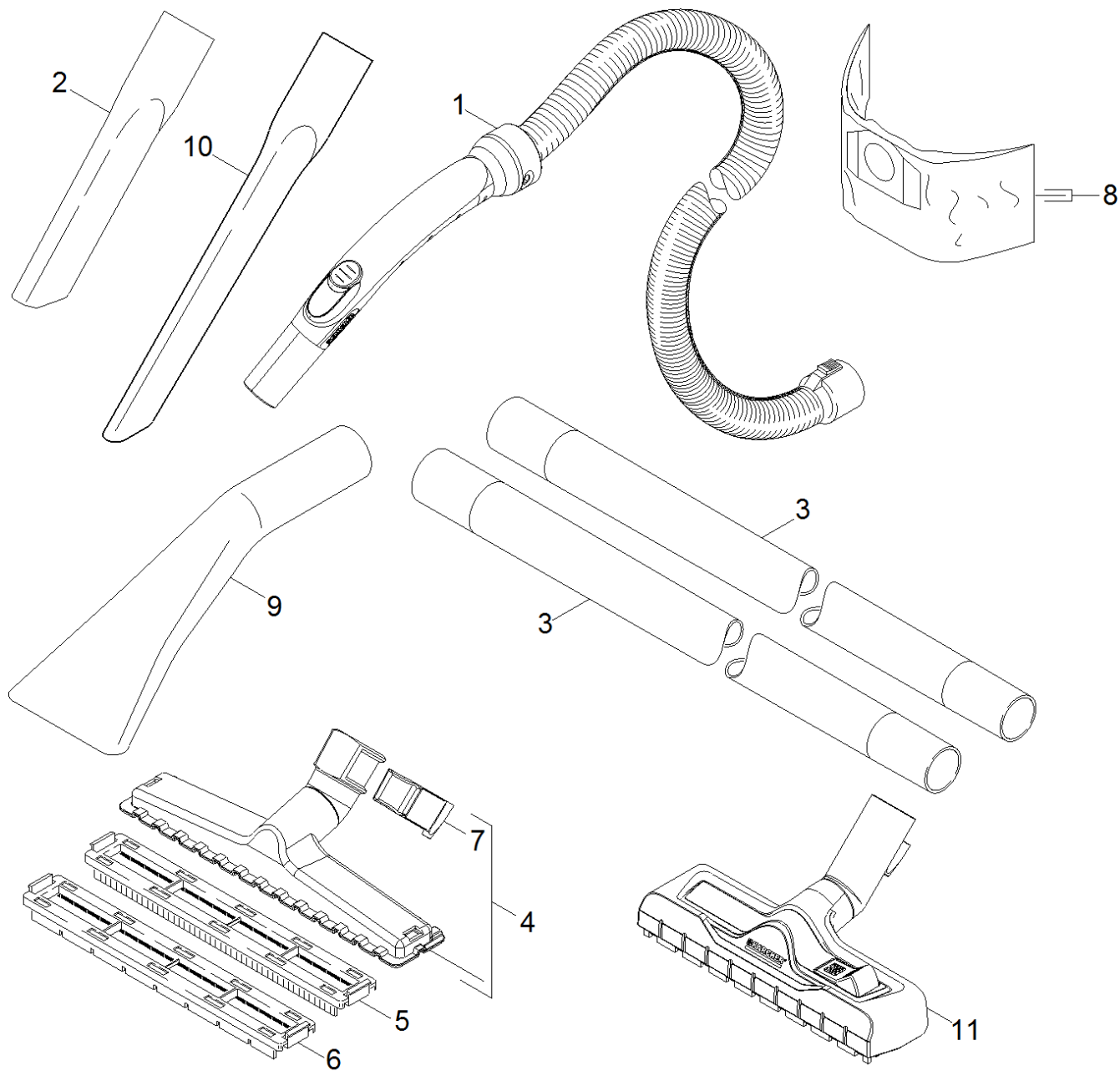
10 Appliance individual parts

POS	Article no.	Description	Quantity	Unit	Remark	Foot note text
19	6.332-001.0	Spring contact	1.000	ST		
2	6.630-087.0	Switch	1.000	ST		
9	4.490-265.0	Vacuum motor complete for replacement 10	1.000	ST		
	Item text1: 1.629-654.0					
9	4.624-103.0	Vacuum motor complete for replacement 12	1.000	ST		
	Item text1: 1.629-664.0					
9	4.490-269.0	Vacuum motor complete for replacement 12	1.000	ST		
	Item text1: 1.629-653.0					
9	4.624-025.0	Vacuum motor complete für Ersatz 1200W D	1.000	ST		
	Item text1: 1.629-650.0 / -651.0 / -652.0 / -653.0 / -655.0 / -656.0 / -657.0 / -668.0 / -669.0					



20 Tank

POS	Article no.	Description	Quantity	Unit
3	5.640-364.0	Bumper	1.000	ST
4	6.435-353.0	Castor D 42	4.000	ST
2	2.885-199.0	Spare part set suction connection M	1.000	ST
1	4.070-787.0	Tank complete M 17l	1.000	ST



30 Accessories

POS	Article no.	Description	Quantity	Unit	Foot note text
9	2.863-145.0	Car nozzle WD/SE	1.000	ST	
2	6.900-385.0	Crevice nozzle DN35	1.000	ST	
10	2.863-223.0	Crevice nozzle extra long WD/SE	1.000	ST	
8	6.959-130.0	Filter bag WD/SE 5pc.	1.000	ZSA	
4	4.629-007.0	Floor tool DN35	1.000	ST	
11	2.863-000.0	Floor tool switchable packaged	1.000	ST	
6	4.629-005.0	Insert dry	1.000	ST	
5	4.629-006.0	Insert nass	1.000	ST	
1	9.012-109.0	Suction hose complete DN35x2	1.000	ST	
3	2.863-148.0	Suction tube DN35	2.000	ST	PLASTIC
3	9.039-339.0	Suction tube nichtrostender Stahl	2.000	ST	STAINLESS STEEL CONSTRUCTION