

Spare parts list

(1.447-050.0) K 7 Compact *EU

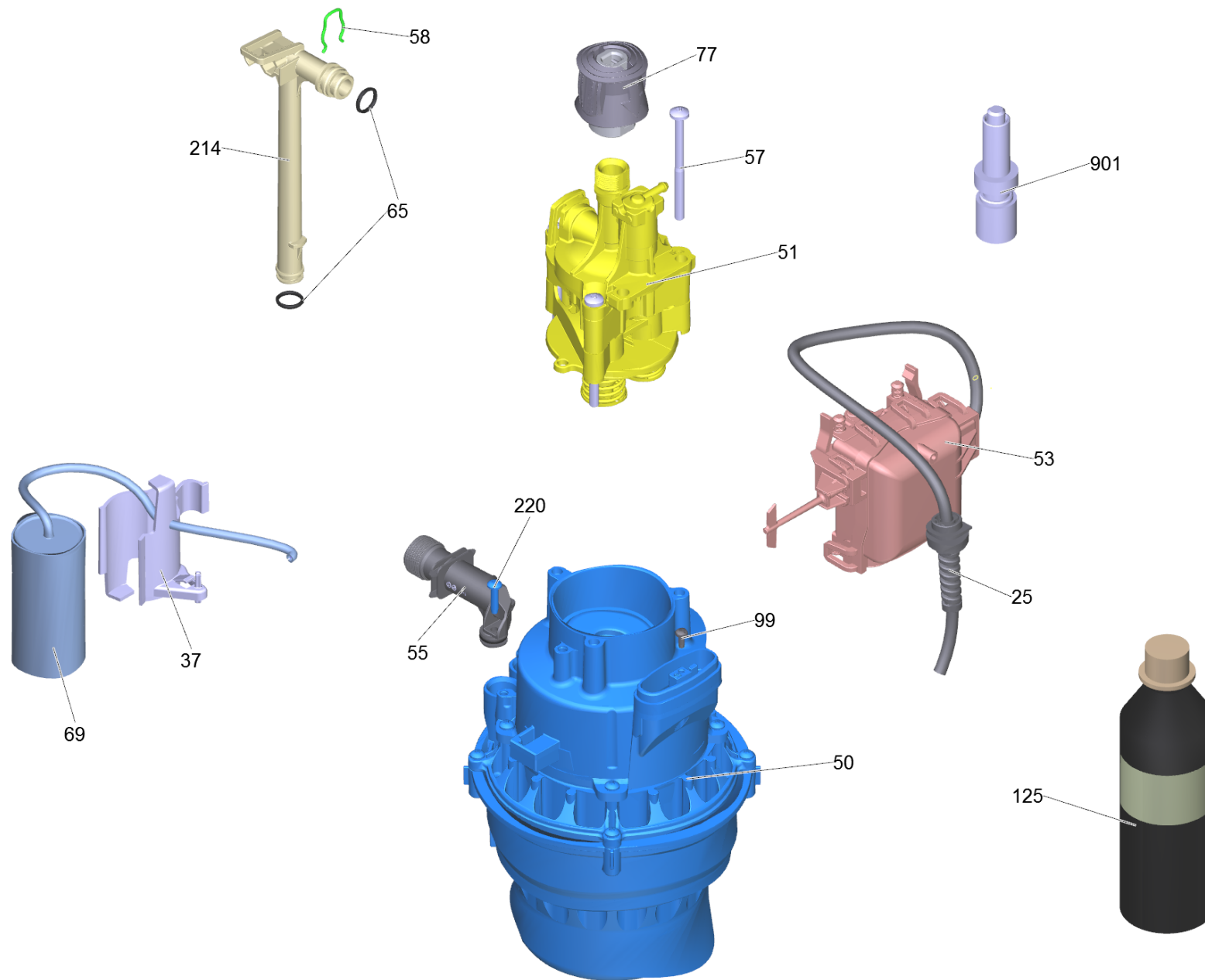
Table of contents

K 7 Compact *EU (1.447-050.0)	3
2 Pump set K7 TCompact	5
50 Transmission for replacement K7 *EU (4.551-254.3)	7
51 Pump head complete	9
101 Piston guidance complete	11
104 Valve pin complete (4.584-022.0)	13
105 Plug complete (4.580-702.0)	15
114 Nozzle insert only for replacement (4.769-034.0)	17
999 Spare parts set excess-current (2.885-186.0)	19
103 Control piston complete replacement (2.885-408.0)	21
53 Spare parts set electric box (2.885-189.0)	23
53 Electric box complete	25
55 Set pipe intake (4.100-704.0)	27
901 Tool (2.901-048.0)	29
3 DB 180 Dirt Blaster (packaged) (2.642-729.0)	31
10 G 180 Q Trigger gun Quick Connect (2.642-889.0)	33
11 VP 180 Vario Power Jet (packaged) (2.642-726.0)	35
14 Handhold complete	37
16 H 10 Q Flex PremiumFlex Anti-Twist (2.643-585.0)	39



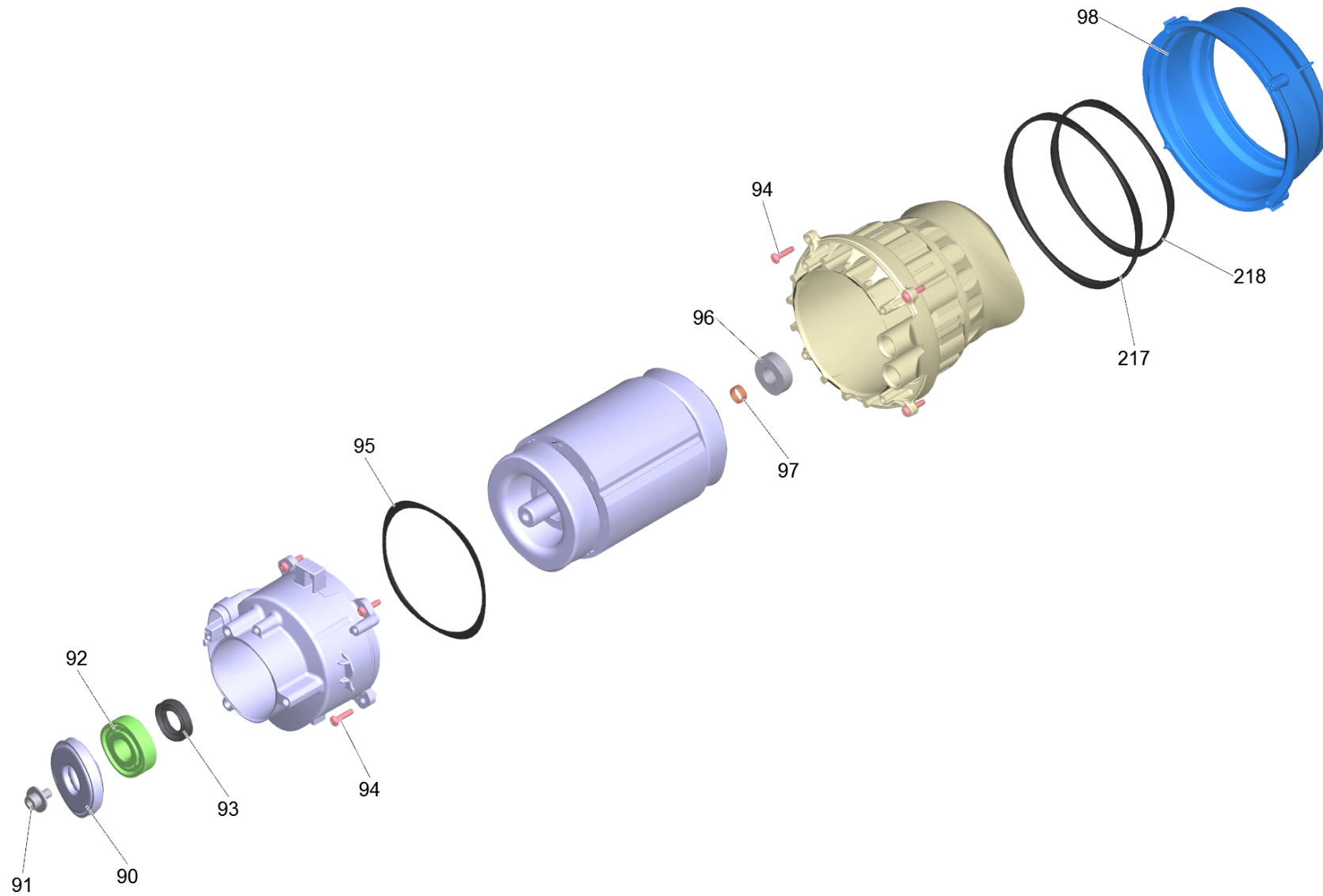
K 7 Compact *EU (1.447-050.0)

POS	Article no.	Description	Quantity	Unit	Foot note text
27	5.105-675.0	Axle L=255mm	1.000	ST	
19	5.036-327.3	Chassis rear for replacement K7 NCR	1.000	ST	
13	6.465-031.0	Connection 3/4	1.000	ST	
3	2.642-729.0	DB 180 Dirt Blaster (packaged)	1.000	ST	
194	5.731-652.0	Filter with weight	1.000	ST	
196	9.038-548.0	Flow reducer detergent	1.000	ST	
10	2.642-889.0	G 180 Q Trigger gun Quick Connect	1.000	ST	
16	2.643-585.0	H 10 Q Flex PremiumFlex Anti-Twist	1.000	ST	
14		Handhold complete	1.000	ST	
33	9.037-693.0	Handhold switch	1.000	ST	
31	5.322-164.0	Holder pump set	1.000	ST	
108	6.388-216.0	Hose DN 5	0.700	M	
148	6.343-168.0	Lock washer	2.000	ST	
2		Pump set K7 TCompact	1.000	ST	
36	9.048-179.0	Rubber fixing accessories NCR	2.000	ST	
79	9.086-221.0	Screw ATF 4.1x22	14.000	ST	
901	4.100-703.0	Set housing front K7 NCR	1.000	ST	
21	2.885-473.0	Spare parts set screen wheel	1.000	ST	SET OF 2 PIECES
28	5.379-002.3	Strap for replacement	1.000	ST	
11	2.642-726.0	VP 180 Vario Power Jet (packaged)	1.000	ST	
35	5.387-620.0	Warning sticker-Prevent from freezing	1.000	ST	
20	5.515-071.0	Wheel D200	2.000	ST	



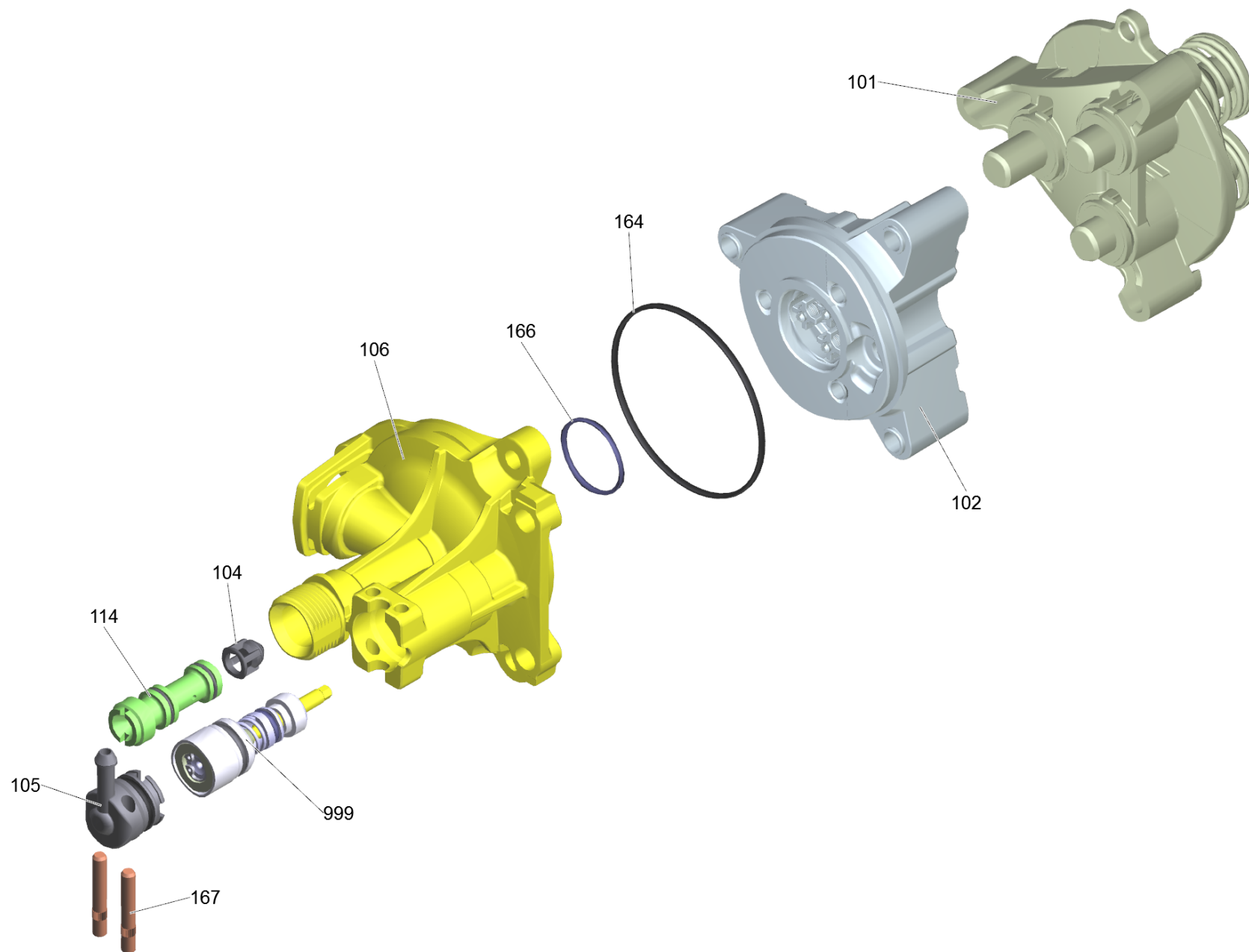
2 Pump set K7 TCompact

POS	Article no.	Description	Quantity	Unit
25	6.649-740.0	Cable with plug *EU	1.000	ST
69	6.661-288.0	Capacitor 40 µF mit Kabel (K6/7)	1.000	ST
58	5.048-915.0	Clamp	1.000	ST
125	6.288-050.0	Engine oil 1L	1.000	ST
77	4.470-041.0	High pressure quick-fitting pipe union A	1.000	ST
37	5.322-313.0	Holder capacitor	1.000	ST
65	6.363-610.0	O-Ring seal 13 x 3 -NBR	1.000	ST
51		Pump head complete	1.000	ST
99	7.303-031.0	Screw M4x10 -St-P2R (In6Rd)	1.000	ST
220	6.303-320.0	Screw M 5x 20-St-R2R	1.000	ST
57	6.303-042.0	Screw M6x80	3.000	ST
55	4.100-704.0	Set pipe intake	1.000	ST
53	2.885-189.0	Spare parts set electric box	1.000	ST
901	2.901-048.0	Tool	1.000	ST
50	4.551-254.3	Transmission for replacement K7 *EU	1.000	ST
214	5.443-654.0	Tube Ruecklauf WCM K7 D117	1.000	ST



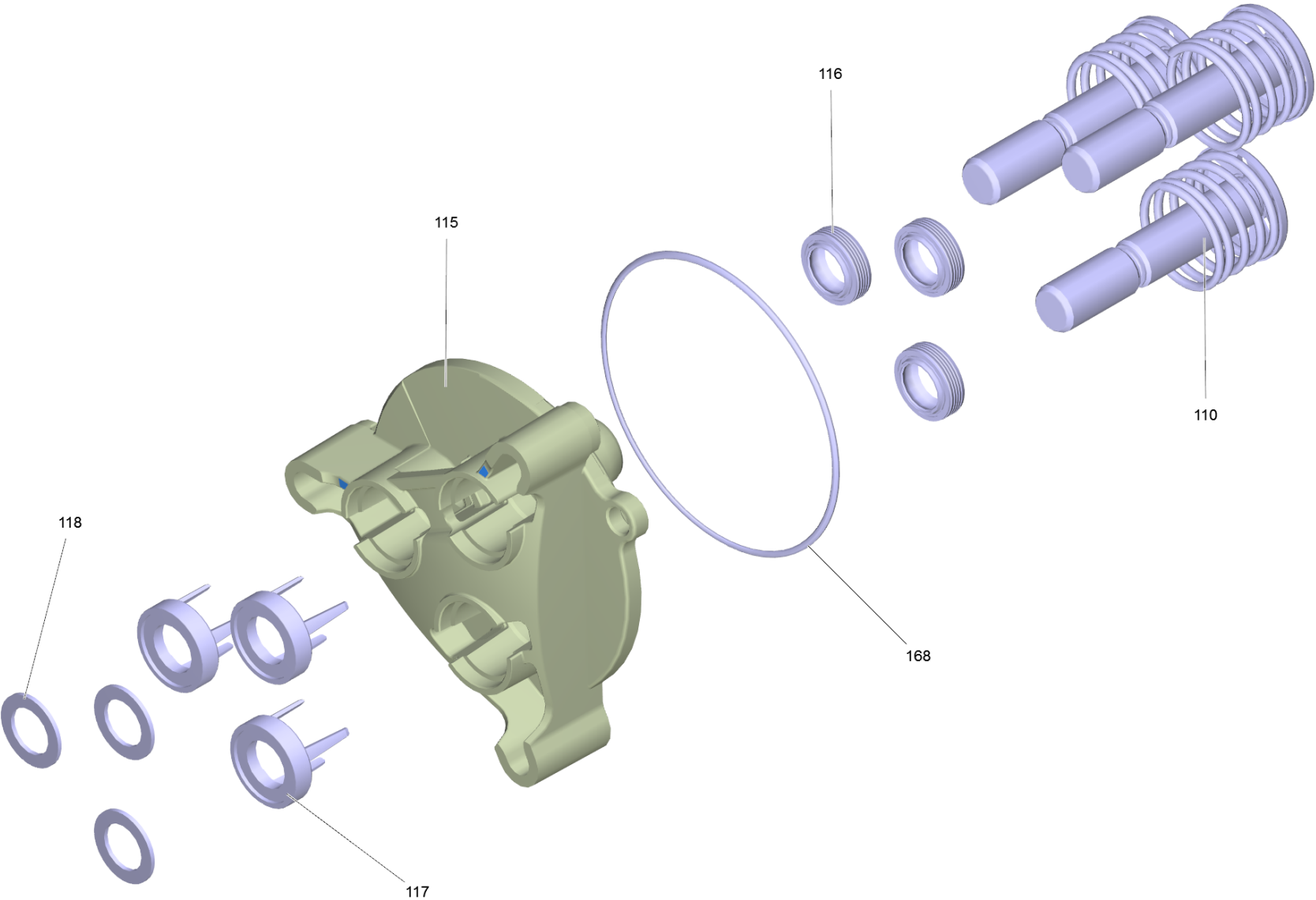
50 Transmission for replacement K7 *EU (4.551-254.3)

POS	Article no.	Description	Quantity	Unit	Remark	Foot note text
92	6.401-427.0	Angular contact ball bearing	1.000	ST		
96	7.401-128.0	Ball bearing 6202-2RS -Wälzl.St DIN 625	1.000	ST		
95	5.363-590.0	Joint ring	1.000	ST	THICKNESS:0,8mm / DICKE:0,8mm	VERSION 1
95	5.363-453.0	Joint ring D117 x 1,8	1.000	ST	THICKNESS:1,8mm / DICKE:1,8mm	VERSION 2
217	6.363-593.0	O-Ring seal 146x5 EPDM	1.000	ST		
218	6.363-647.0	O-Ring seal D130x5	1.000	ST		
98	5.093-422.0	Outer covering water flow K7 WCM	1.000	ST		
93	6.367-051.0	Rotary shaft seal -20X37X8 NBR	1.000	ST		
94	6.303-320.0	Screw M 5x 20-St-R2R	8.000	ST		
97	6.343-218.0	Tolerance ring 15x6	1.000	ST		
90	4.120-001.0	Wobble plate complete 13° (D67)	1.000	ST		
91	9.086-169.0	Wobble plate screw M8x16	1.000	ST		



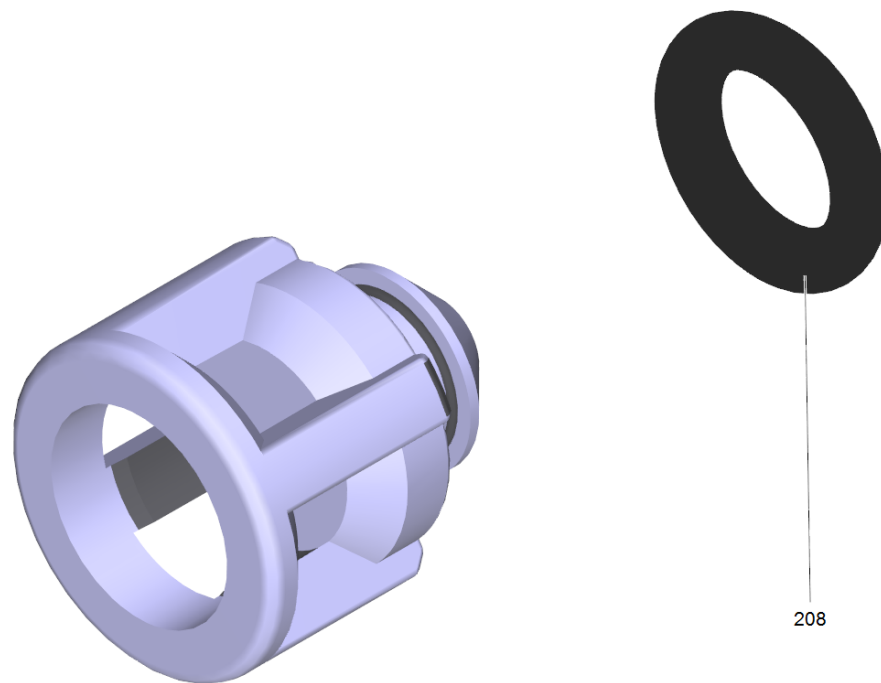
51 Pump head complete

POS	Article no.	Description	Quantity	Unit
102	9.002-525.0	Cylinder head alluminio completo (c/imba	1.000	ST
106	5.062-149.0	Housing	1.000	ST
114	4.769-034.0	Nozzle insert only for replacement	1.000	ST
166	6.362-562.0	O-Ring seal 21,95X 1,78-NBR 90	1.000	ST
164	6.363-616.0	O-Ring seal 60,0x2,0 -NBR70	1.000	ST
167	5.314-150.0	Pin	2.000	ST
101		Piston guidance complete	1.000	ST
105	4.580-702.0	Plug complete	1.000	ST
999	2.885-186.0	Spare parts set excess-current	1.000	ST
104	4.584-022.0	Valve pin complete	1.000	ST



101 Piston guidance complete

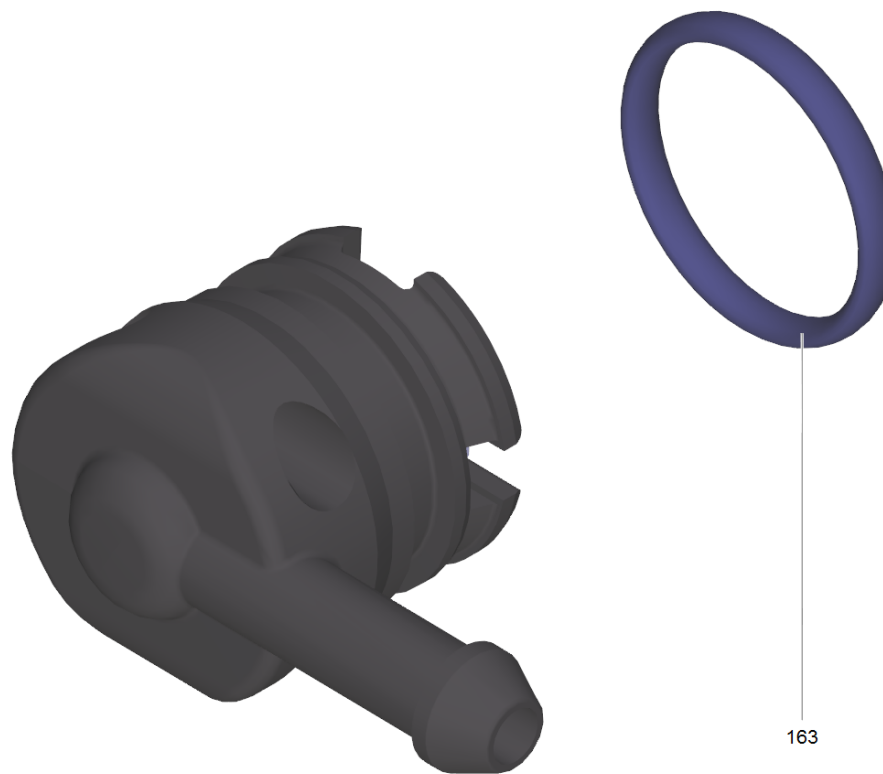
POS	Article no.	Description	Quantity	Unit
116	6.363-633.0	Grooved ring 12x18x6/5/1	3.000	ST
168	6.363-449.0	O-Ring seal 72x2 -NBR70	1.000	ST
110	9.002-522.0	Piston completo K7 (c/imballo)	3.000	ST
115	5.062-655.0	Piston guidance	1.000	ST
117	5.116-381.0	Supporting disk	3.000	ST
118	5.116-380.0	Washer piston guidance	3.000	ST



208

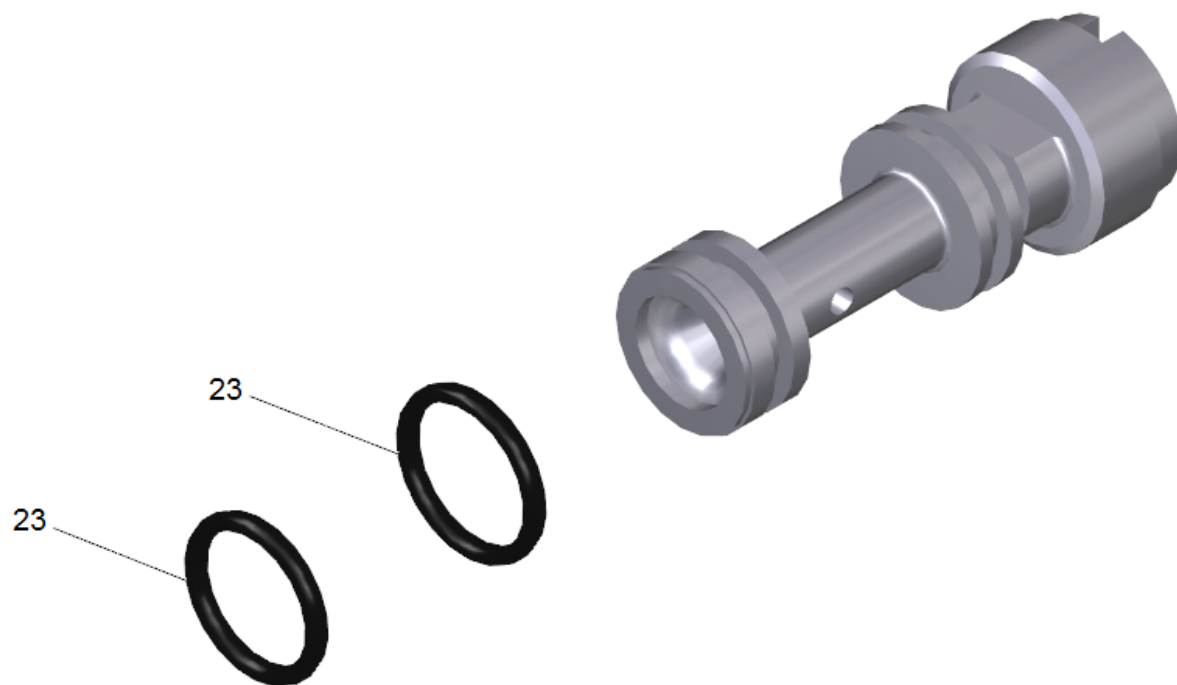
104 Valve pin complete (4.584-022.0)

POS	Article no.	Description	Quantity	Unit
208	6.363-613.0	O-Ring seal 4 x 2 -NBR90	1.000	ST



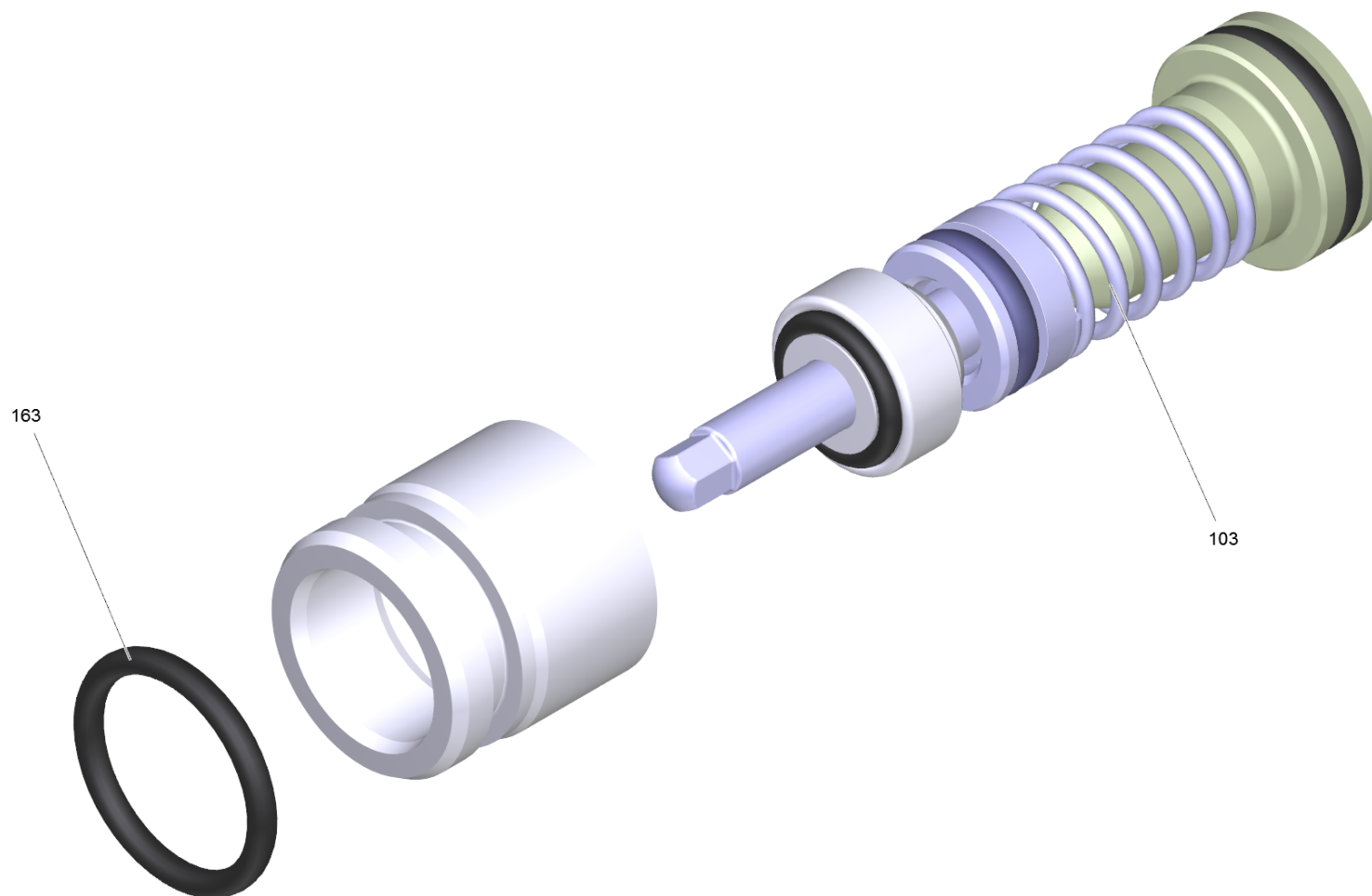
105 Plug complete (4.580-702.0)

POS	Article no.	Description	Quantity	Unit
163	6.362-030.0	O-Ring seal 15x2 90 Shore IRHD	1.000	ST



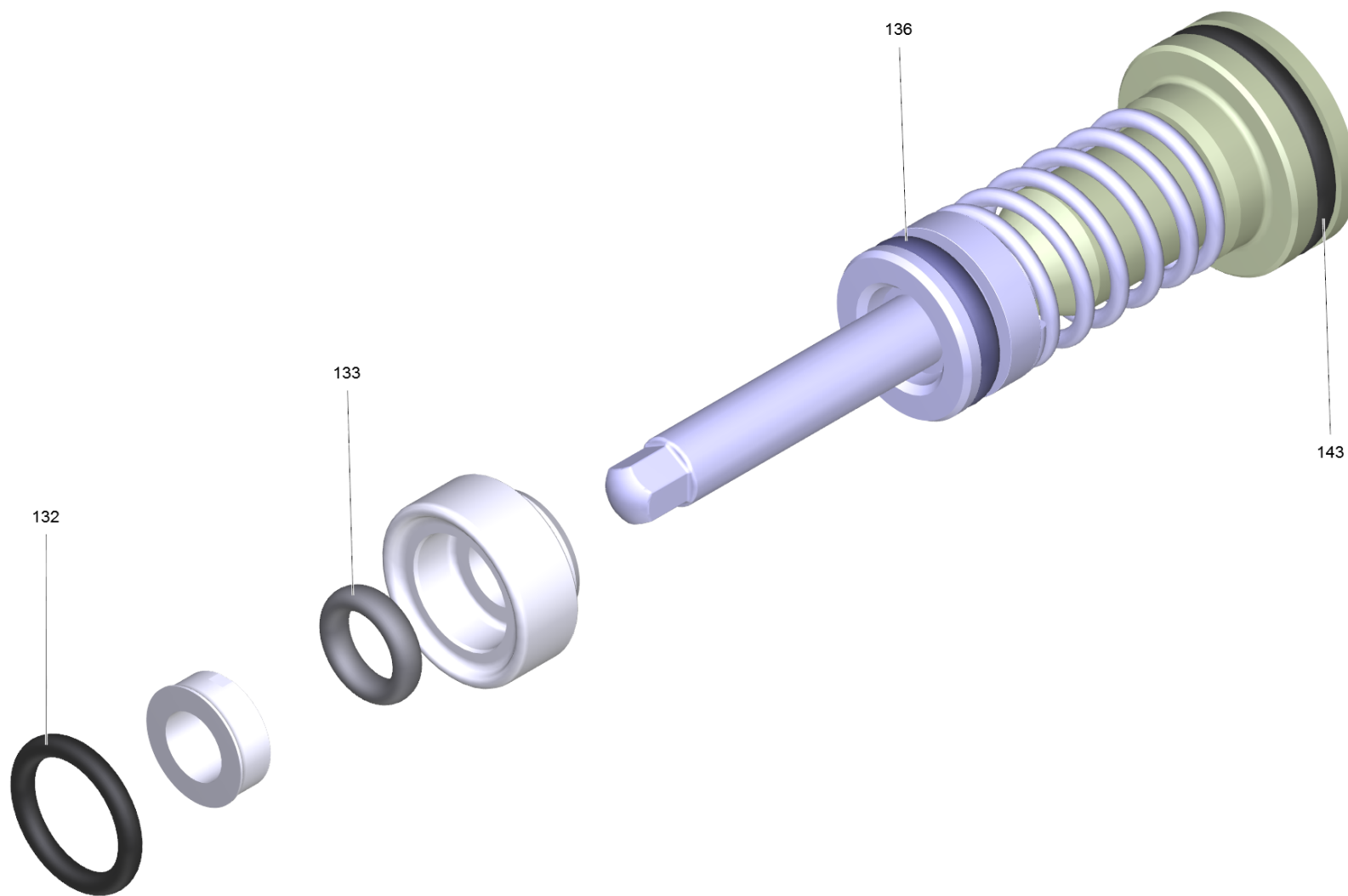
114 Nozzle insert only for replacement (4.769-034.0)

POS	Article no.	Description	Quantity	Unit
23	6.362-384.0	O-Ring seal 9x1,5 - NBR 70	2.000	ST



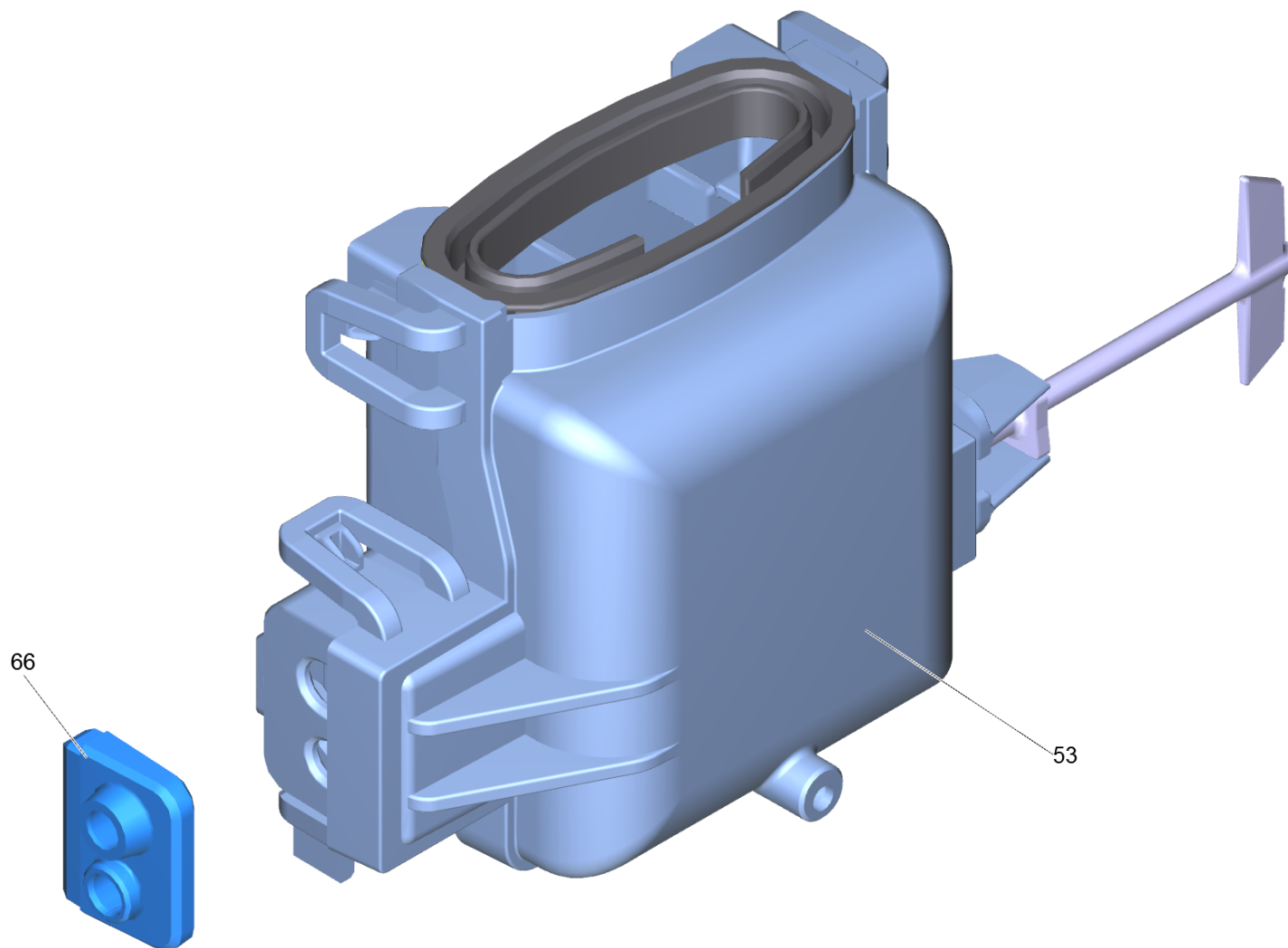
999 Spare parts set excess-current (2.885-186.0)

POS	Article no.	Description	Quantity	Unit
103	2.885-408.0	Control piston complete replacement	1.000	ST
163	6.362-030.0	O-Ring seal 15x2 90 Shore IRHD	1.000	ST



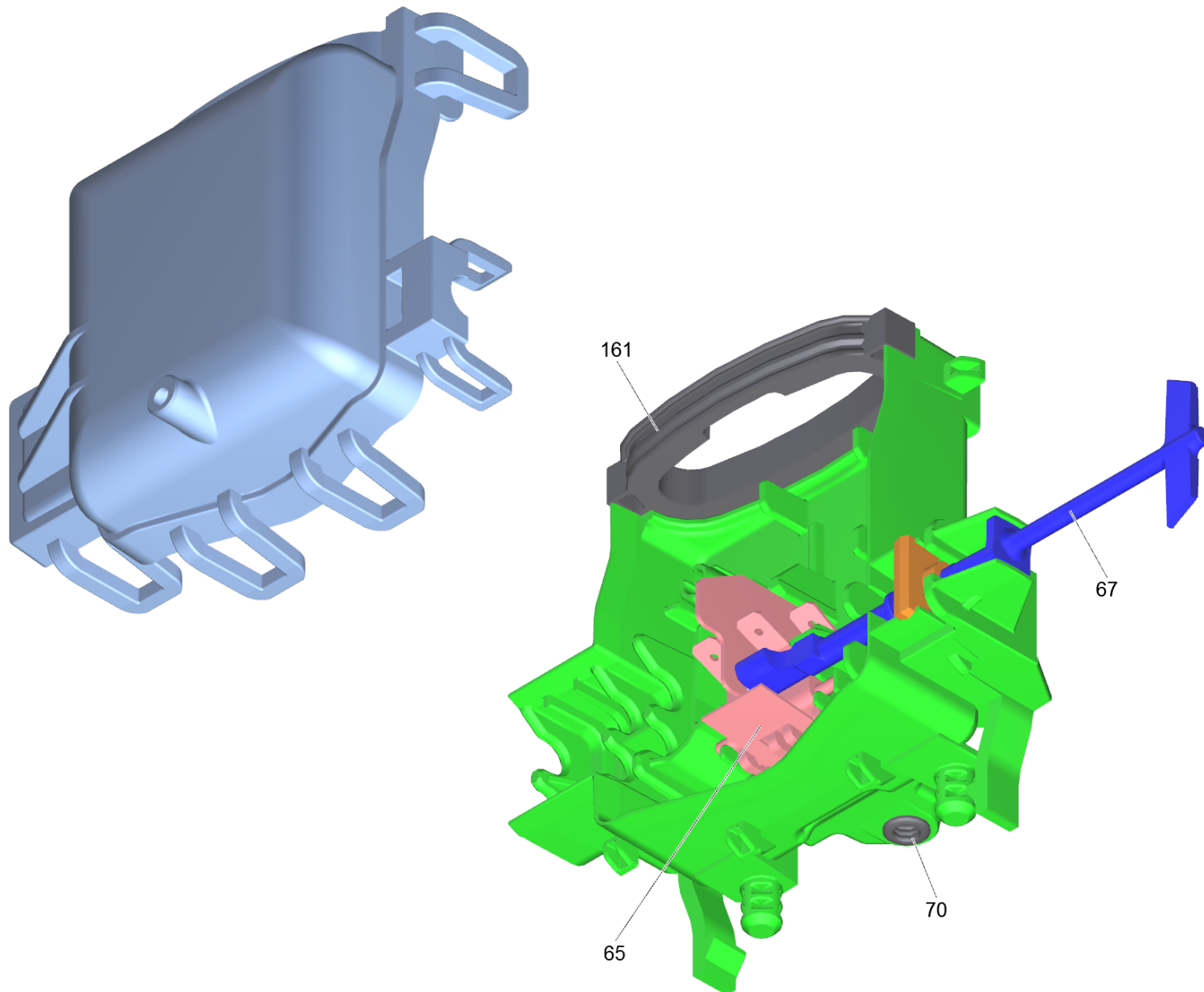
103 Control piston complete replacement (2.885-408.0)

POS	Article no.	Description	Quantity	Unit
133	6.363-606.0	O-Ring seal 4,7 x 1,9 -NBR70	1.000	ST
132	6.362-101.0	O-Ring seal 8 X 2	1.000	ST
136	6.363-614.0	O-Ring seal 9 x 2 -NBR90	1.000	ST
143	6.362-381.0	O-Ring seal 13x2 - NBR 70	1.000	ST



53 Spare parts set electric box (2.885-189.0)

POS	Article no.	Description	Quantity	Unit
53		Electric box complete	1.000	ST
40	7.303-235.0	Screw M6x50 -St-A2K (In6Rd)	2.000	ST
66	5.363-744.0	Seal cable	1.000	ST



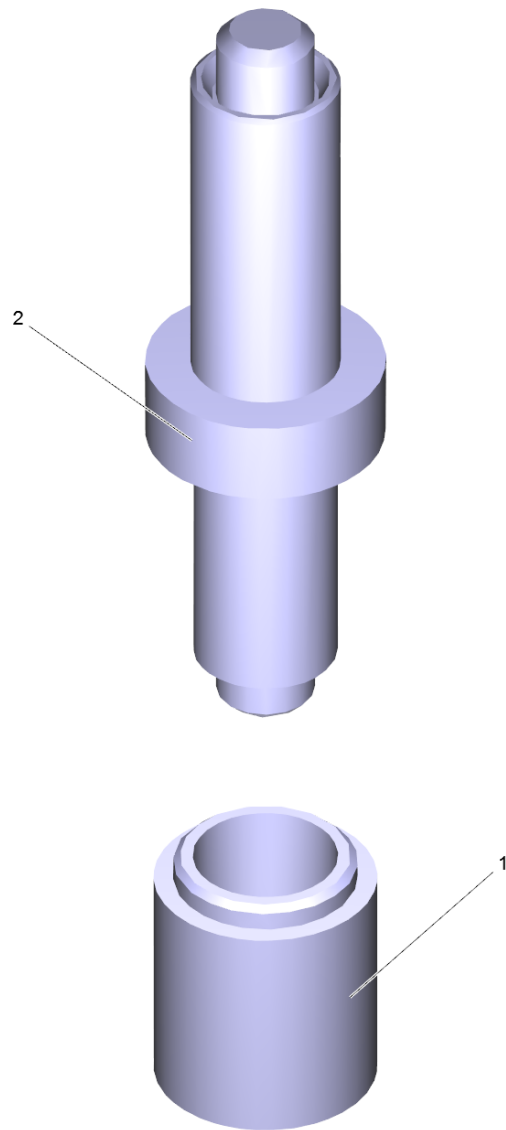
53 Electric box complete

POS	Article no.	Description	Quantity	Unit
65	6.961-000.0	Micro switch	1.000	ST
70	5.363-749.0	Seal control piston	1.000	ST
161	5.363-761.0	Seal label	1.000	ST
67	2.885-190.0	Selector shaft spare parts set	1.000	ST



55 Set pipe intake (4.100-704.0)

POS	Article no.	Description	Quantity	Unit
1	5.731-011.0	Fine filter	1.000	ST
3	6.363-610.0	O-Ring seal 13 x 3 -NBR	1.000	ST



901 Tool (2.901-048.0)

POS	Article no.	Description	Quantity	Unit
2	5.901-224.0	Assembly mandril A=16,8;B=11,5mm	1.000	ST
1	5.901-223.0	Fitting case C=21,4; D=16,9mm	1.000	ST



3 DB 180 Dirt Blaster (packaged) (2.642-729.0)

POS	Article no.	Description	Quantity	Unit
1	2.640-729.0	O-Ring seal set	1.000	ST



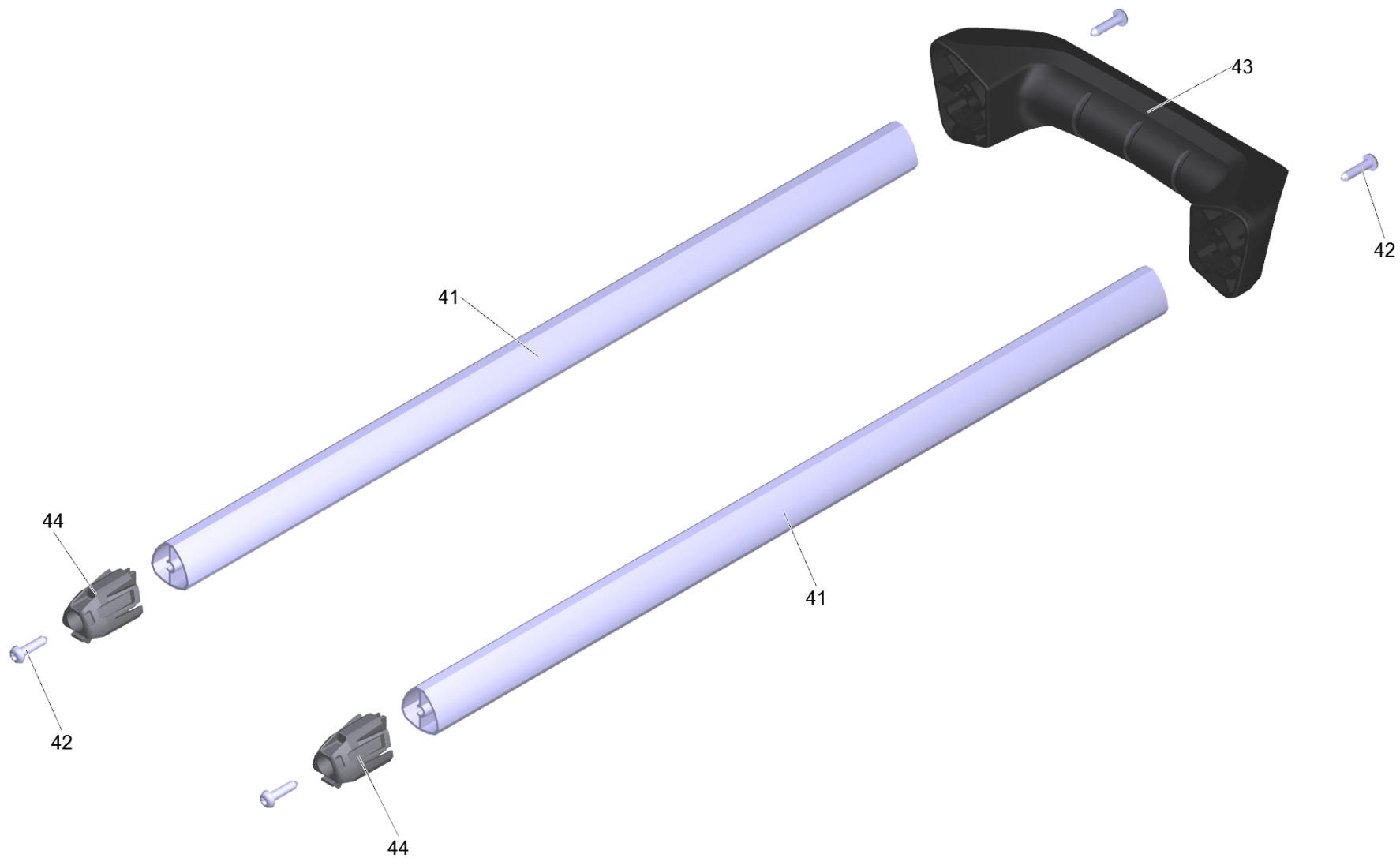
10 G 180 Q Trigger gun Quick Connect (2.642-889.0)

POS	Article no.	Description	Quantity	Unit
1	5.332-464.0	Pressure spring	1.000	ST



11 VP 180 Vario Power Jet (packaged) (2.642-726.0)

POS	Article no.	Description	Quantity	Unit
1	2.640-729.0	O-Ring seal set	1.000	ST



14 Handhold complete

POS	Article no.	Description	Quantity	Unit
44	5.052-034.0	End piece	2.000	ST
43	5.322-163.0	Hand grip	1.000	ST
41	9.042-171.3	Handle bar for replacement	2.000	ST
42	9.086-220.0	Screw ST.4x17 P2R	4.000	ST



16 H 10 Q Flex PremiumFlex Anti-Twist (2.643-585.0)

POS	Article no.	Description	Quantity	Unit
999	2.640-729.0	O-Ring seal set	1.000	ST