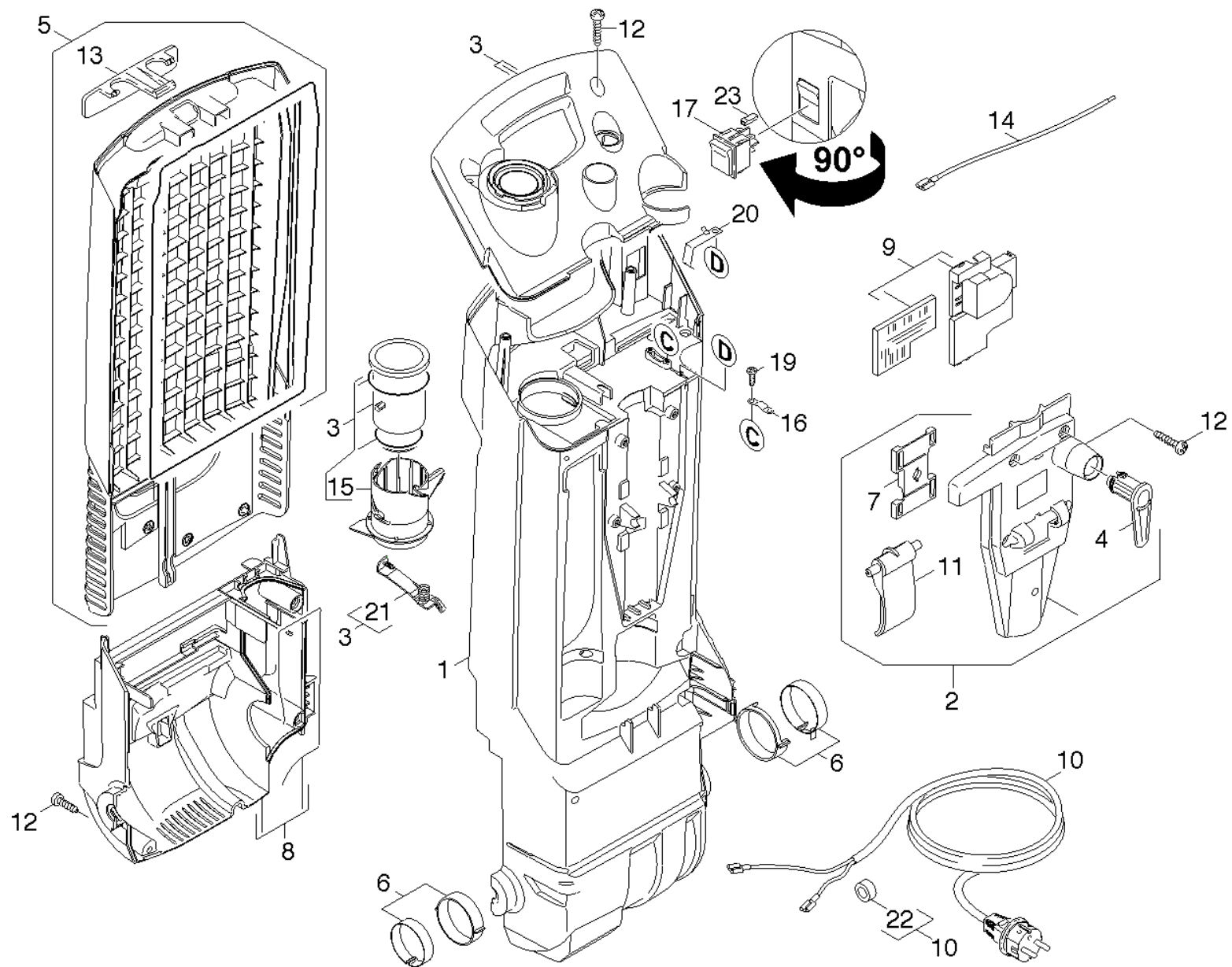


12 Appliance top part

Overview technical documents/Professional/Vacuum cleaner/Dry vacuum cleaner/CV 48/2 *EU (1.057-309.0)/Spare parts list CV 48/2 *EU/10 Top part/12 Appliance top part



12 Appliance top part

Overview technical documents/Professional/Vacuum cleaner/Dry vacuum cleaner/CV 48/2 *EU (1.057-309.0)/Spare parts list CV 48/2 *EU/10 Top part/12 Appliance top part

Rez.daļas/nodil.pakļ.daļas	Poz.	Materiāla Nr.	Nosaukums	Daudzums	Pārdoš. vienība	no sēr. Nr..	līdz sēr. Nr.	Daž. informācija
	1	5.060-991.0	Housing	1.000	ST	0000000000	0000000000	
	2	4.032-003.0	Covering cap complete only for replaceme	1.000	ST	0000000000	0000000000	
X-X	3	4.032-004.0	Covering cap electric	1.000	ST	0000000000	0000000000	
X-X	4	5.044-661.0	Catch for cable yellow	1.000	ST	0000000000	0000000000	
X-X	5	4.064-020.0	Cover complete	1.000	ST			
X-X	6	2.889-076.0	Set bearing shells	1.000	ST			
	7	5.032-448.0	CLAMP	1.000	ST	0000000000	0000000000	
	8	4.053-224.0	Covering cap motor complete nur fuer Ers	1.000	ST	0000000000	0000000000	
	9	4.682-000.0	Circuit board only for replacement	1.000	ST	0000000000	0000000000	
X-X	10	4.649-049.0	Power cable for replacement	1.000	ST	0000000000	0000000000	*EU
	11	5.481-345.0	Clamp lever	1.000	ST	0000000000	0000000000	
X-X	12	7.303-108.0	Skrūve 5x20 -10.9-R2R (In6Rd)	9.000	ST	0000000000	0000000000	
	13	5.075-038.0	Closure cover	1.000	ST			
	14	4.839-402.0	Electrical small parts CV 38/2, CV 48/2	1.000	ST	0000000000	0000000000	
	15	5.481-352.0	OPERATING LEVER	1.000	ST			
	16	6.903-241.0	Clamp clip	1.000	ST	0000000000	0000000000	
X-X	17	6.630-678.0	Rocker switch black printing gelb	1.000	ST	0000000000	0000000000	
	19	6.303-318.0	Screw 3,5x12-10.9-R2R (IN6RD)	2.000	ST	0000000000	0000000000	
	20	5.034-689.0	Spring earthing	1.000	ST	0000000000	0000000000	
	21	4.332-008.0	Spring connection piece completely	1.000	ST	0000000000	0000000000	
	22	6.346-043.0	Ferrite ring	1.000	ST			
	23	6.647-748.0	Insulation sheath	2.000	ST			