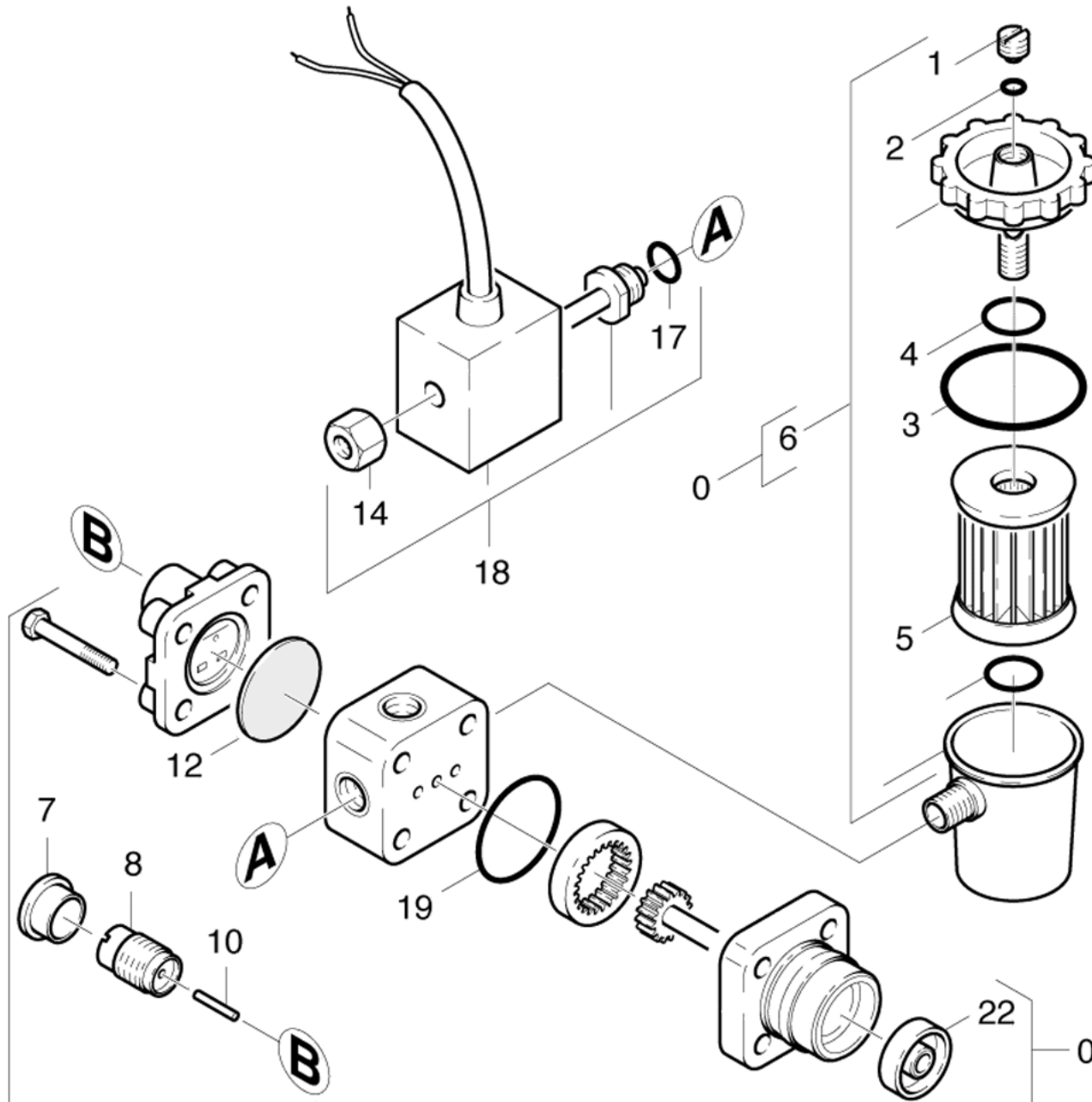


# 52 Fuel pump

Professional \ High pressure cleaner hotwater \ Electric motor \ HDS 895 MX ECO\*EU-I \ Spare parts list HDS 895 M ECO \ Fuel system \ Fuel pump



## 52 Fuel pump

Professional \ High pressure cleaner hotwater \ Electric motor \ HDS 895 MX ECO\*EU-I \ Spare parts list HDS 895 M ECO \ Fuel system \ Fuel pump

**KÄRCHER**

POS	Article no.	Description	Quantity	Unit
0	6.472-925.0	Pump oil burner only for replacement	1	PC
1	6.472-107.0	Screw ventilation	1	PC
2	6.472-106.0	O-Ring seal 5,0 X 1,8	1	PC
3	6.472-111.0	O-Ring seal 32,0 X 1,6	1	PC
4	6.472-112.0	O-Ring seal 10,0 x 2,4 NBR 70	1	PC
5	6.472-113.0	Filter cartridge	1	PC
6	6.472-123.0	Filter housing complete	1	PC
7	6.472-122.0	Protecting cap	1	PC
8	6.472-109.0	Housing spring	1	PC
10	6.472-108.0	Pin	1	PC
12	6.472-128.0	Diaphragm	1	PC
14	6.472-340.0	Knurled nut	1	PC
17	6.472-125.0	O-Ring seal 12,0 X 1,5	1	PC
18	6.472-411.0	Solenoid valve	1	PC
19	6.472-120.0	O-Ring seal 28,5 X 1,6	1	PC
22	6.472-105.0	Seal axle	1	PC