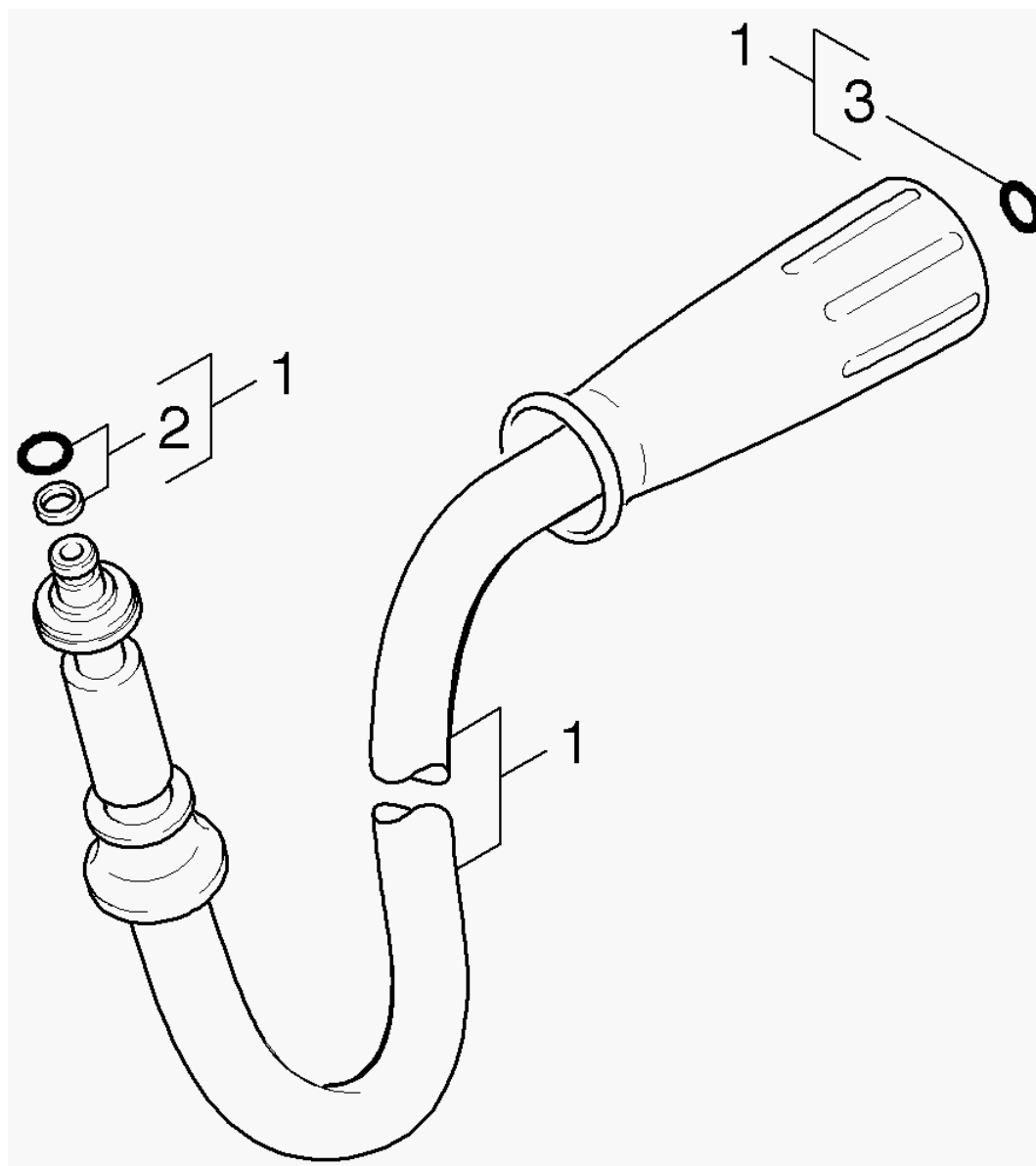


102 High pressure hose

Overview technical documents/Professional/High pressure cleaner hotwater/Electric motor/HDS 2.3/12 C Ed (1.272-201.0)/Spare parts list HDS 2.3/12 C Ed/100 Accessories/102 High pressure hose



102 High pressure hose

Overview technical documents/Professional/High pressure cleaner hotwater/Electric motor/HDS 2.3/12 C Ed (1.272-201.0)/Spare parts list HDS 2.3/12 C Ed/100 Accessories/102 High pressure hose

Rez.daļas/nodil.pakļ.daļas	Poz.	Materiāla Nr.	Nosaukums	Daudzums	Pārdoš. vienība
X-X	1	6.391-394.0	Standarta šļūtene DN6 25 MPa 15m	1.000	ST
X-X	2	4.363-691.0	O-ring seal	1.000	ST
X-X	3	2.880-990.0	spare part set o ring from 2.880-296.0	1.000	ST