

Spare parts list

(1.723-100.0) A 2204 *EU

Table of contents

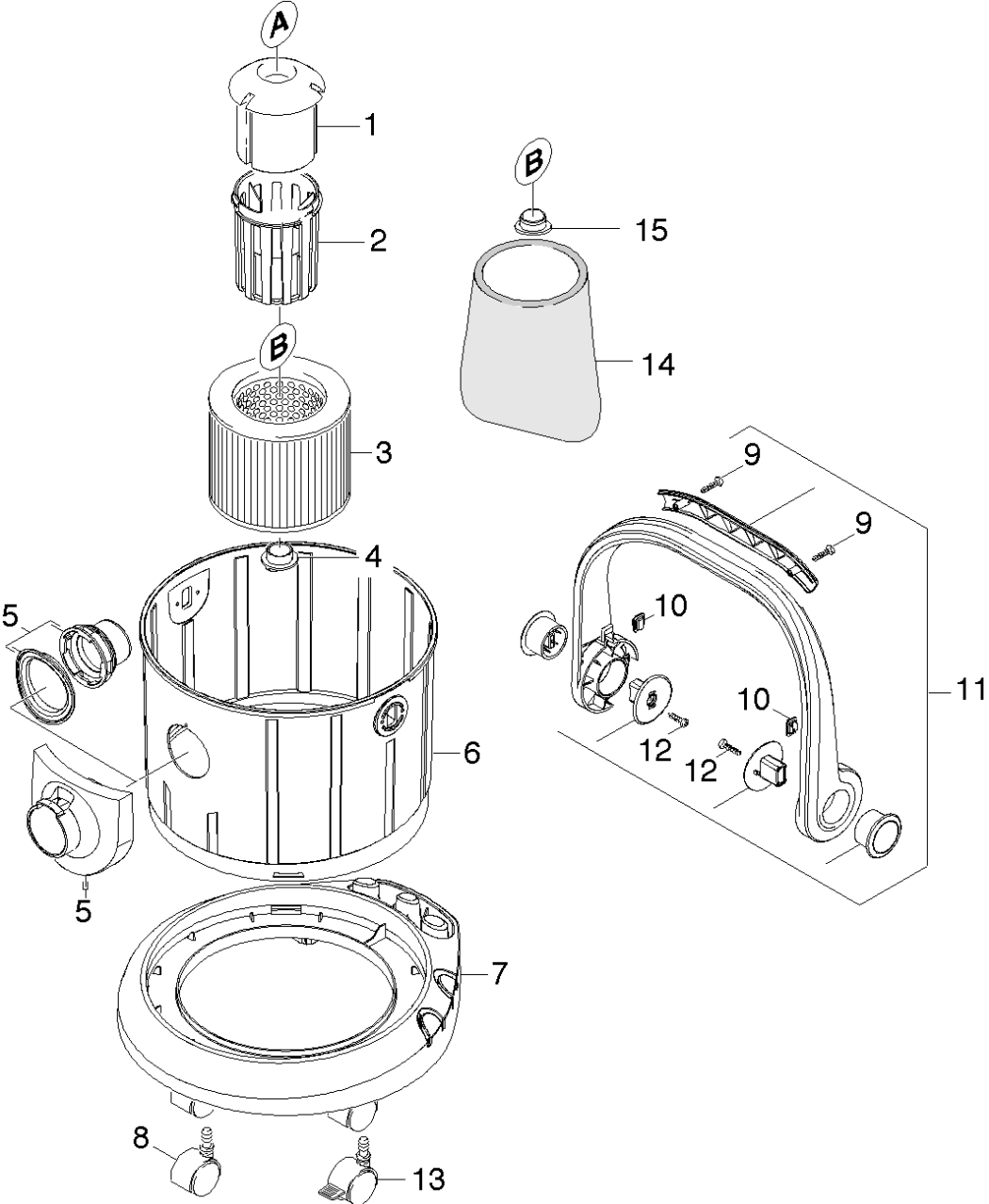
A 2204 *EU (1.723-100.0)	3
1020 Spare parts list A 2204/2504/2500 (5.970-312.0)	4
10 Appliance individual parts	5
20 Vacuum motor	7
30 Accessories	9
40 Separator	11

A 2204 *EU (1.723-100.0)

POS	Article no.	Description	Quantity	Unit
1020	5.970-312.0	Spare parts list A 2204/2504/2500	1.000	ST

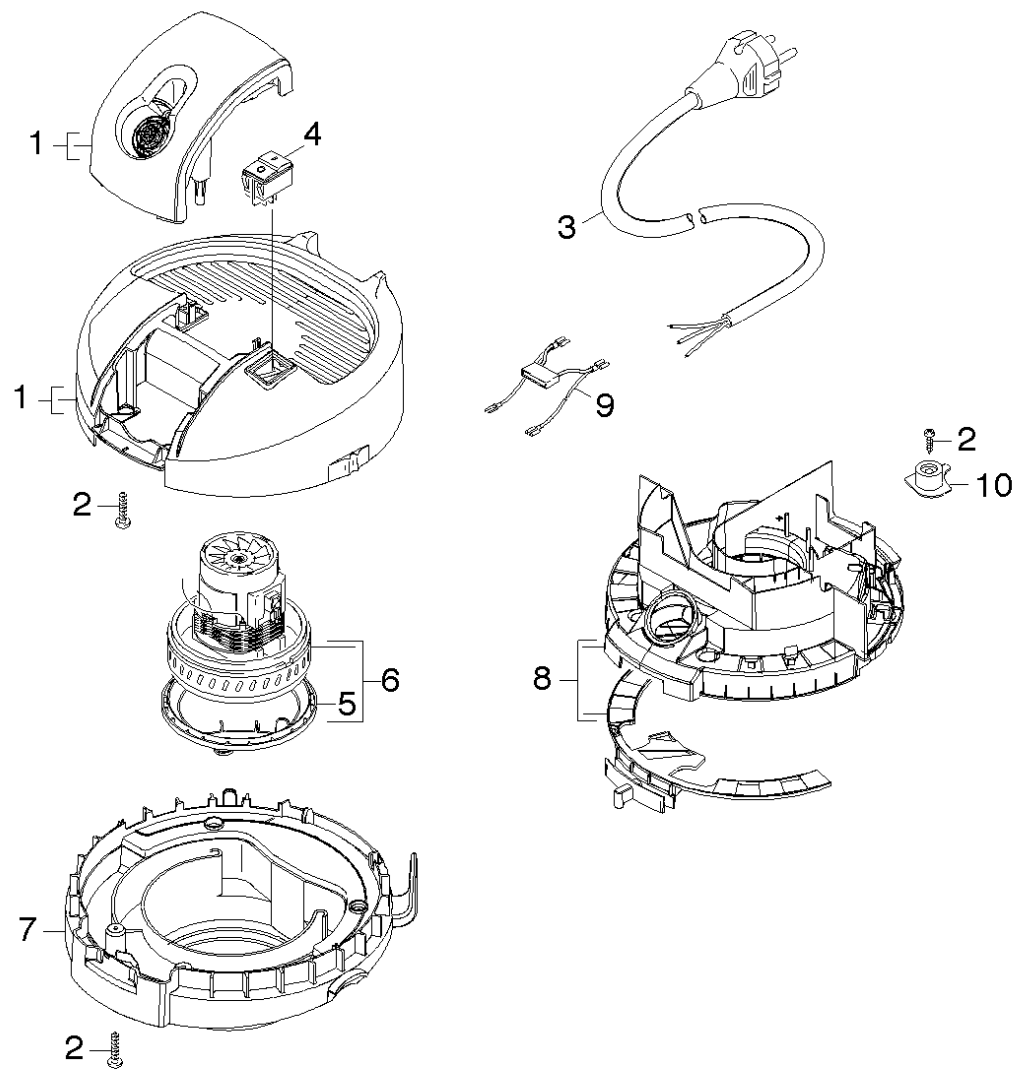
1020 Spare parts list A 2204/2504/2500 (5.970-312.0)

POS	Description	Quantity	Unit
30	Accessories	1.000	ST
10	Appliance individual parts	1.000	ST
40	Separator	1.000	ST
20	Vacuum motor	1.000	ST



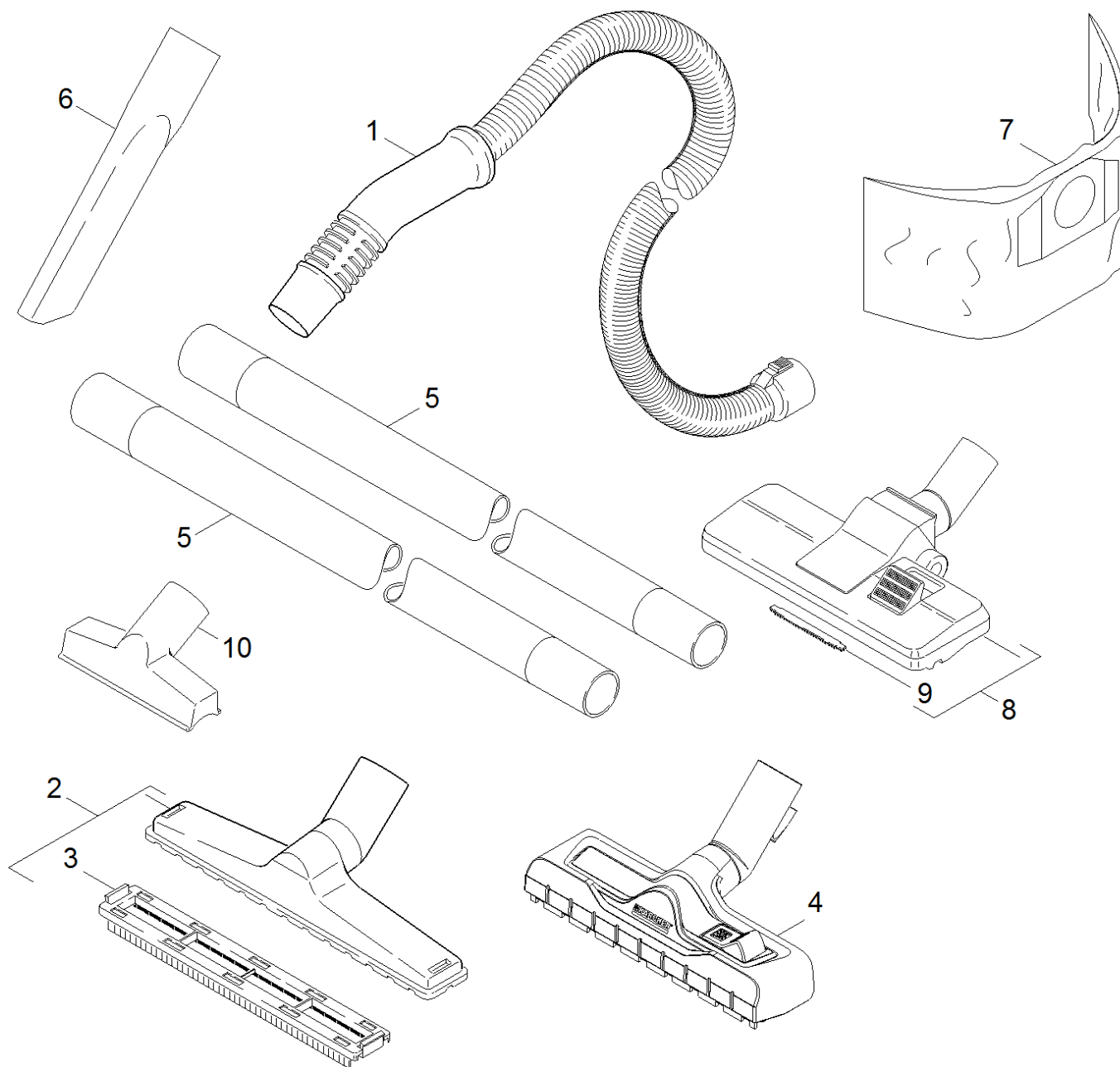
10 Appliance individual parts

POS	Article no.	Description	Quantity	Unit
7	9.036-978.0	BUMPER	1.000	ST
3	6.414-552.0	Cartridge filter	1.000	ST
8	6.435-353.0	Castor D 42	4.000	ST
4	4.075-012.0	Closure complete	1.000	ST
15	9.036-691.0	Covering cap	1.000	ST
14	5.731-595.0	Filter	1.000	ST
2	9.036-992.0	Filtering basket	1.000	ST
1	9.037-076.0	Float A2204	1.000	ST
11	9.001-284.0	Handhold complete	1.000	ST
10	9.037-029.0	Insert notch	2.000	ST
9	9.086-184.0	Screw 3x20	2.000	ST
12	7.303-098.0	Screw 5x20 -10.9-R2R (K-In6Rd)	2.000	ST
5	9.001-285.0	Suction connection complete	1.000	ST
6	9.036-979.0	Tank	1.000	ST
	Item text1: / 1.723-100.0 / -101.0 / -102.0 / -103.0 / -104.0 / -105.0 / -106.0 / -107.0 / -108.0 / -109.0 / -120.0 / -121.0			
6	9.036-980.0	Tank	1.000	ST
	Item text1: / 1.723-400.0 / -401.0 / -402.0 / -406.0			
	Item text2: / -407.0			
13	9.037-133.0	Wheel with brake	1.000	ST



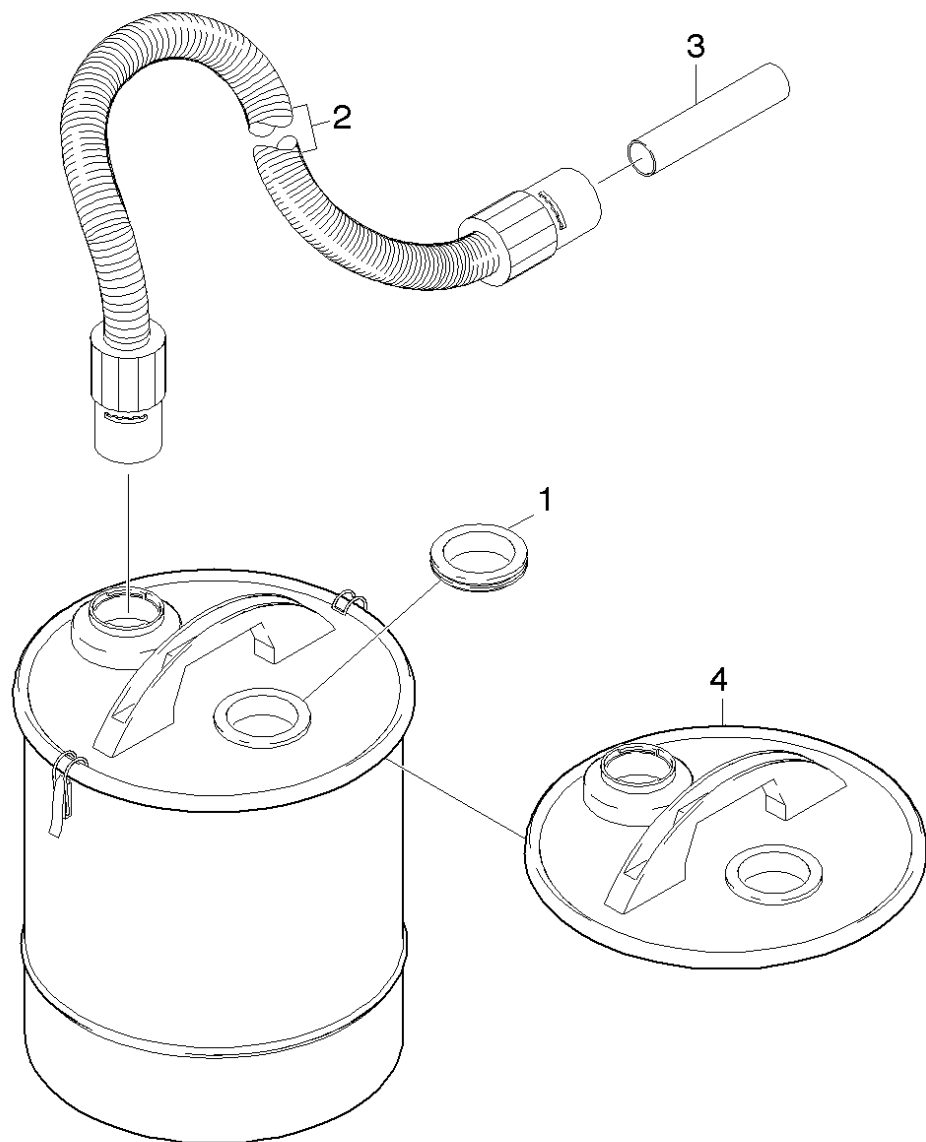
20 Vacuum motor

POS	Article no.	Description	Quantity	Unit
5	4.490-009.0	Bearing set fuer Motor (1.723-XXX)	1.000	ST
9	9.084-176.0	Cable and capacitor Item text1: //1.723-104.0 / -105.0	1.000	ST
9	9.084-165.0	Cable and capacitor A 2504 *EU (POKE-IN) Item text1: / 1.723-400.0 / -401.0 / -402.0 / -406.0 Item text2: / -407.0	1.000	ST
3	9.084-160.0	Cable H05V-F 2x0,75 A2204 *AU Item text1: / 1.723-103.0	1.000	ST
3	9.084-216.0	Cable H05V-F 2x0,75 A2204 *CN Item text1: /1.723-109.0	1.000	ST
3	9.084-154.0	Cable H05V-F 2X0,75 A2204 *EU Item text1: / 1.723-100.0 / -106.0 / -107.0 / -108.0 Item text2: / -400.0 / -406.0	1.000	ST
3	9.084-159.0	Cable H05V-F 2X0,75 A2204 *GB Item text1: / 1.723-102.0 / -120.0 / -402.0	1.000	ST
3	9.084-161.0	Cable with plug 2x16 AWG *MX/ *BR Item text1: //1.723-104.0 / -105.0	1.000	ST
3	9.084-304.0	Cord CH 2x0,75 6,5MT Item text1: / 1.723-101.0 / -121.0 / -401.0 / -407.0	1.000	ST
1	9.001-287.0	Housing	1.000	ST
7	9.012-166.0	Motor bracket	1.000	ST
8	9.011-966.0	Moulded part complete	1.000	ST
2	7.303-096.0	Screw 4x22 -ST-10.9-R2R (IN6RD)	8.000	ST
9	2.884-135.0	Spare part set cable Item text1: / 1.723-100.0 / -101.0 / -102.0 / -103.0 / -106.0 / -107.0 / -108.0 / -120.0 / -121.0	1.000	ST
10	9.036-997.0	Strain relief	1.000	ST
4	6.630-087.0	Switch	1.000	ST
6	6.490-185.0	Vacuum motor 1000 W 120 V / UL Item text1: /1.723-105.0	1.000	ST
6	4.490-016.0	Vacuum motor complete replacement 1200W Item text1: / 1.723-100.0 / -101.0 / -102.0 / -103.0 / -106.0 / -107.0 / -108.0 / -109.0 / -120.0 / -121.0 / -400.0 / -401.0 / -402.0 / -403.0 / -406.0 / -407.0	1.000	ST



30 Accessories

POS	Article no.	Description	Quantity	Unit	Remark
8	6.906-511.0	Combination nozzle DN35	1.000	ST	
6	6.900-385.0	Crevice nozzle DN35	1.000	ST	210mm
6	2.863-223.0	Crevice nozzle extra long	1.000	ST	350mm
7	6.959-130.0	Filter bags 5St.	1.000	ZSA	
2	2.862-141.0	Floor tool complete	1.000	ST	
4	2.863-000.0	Floor tool switchable packaged	1.000	ST	
3	9.036-892.0	Mixing insert	1.000	ST	
1	9.012-866.0	Suction hose DN35 3,5m	1.000	ST	3,5M
1	9.012-004.0	Suction hose DN35x2	1.000	ST	2,0M
5	2.863-148.0	Suction tube DN35	2.000	ST	
9	6.905-410.0	Thread clipper	1.000	ZSA	
10	6.905-998.0	Upholstery nozzle complete NW35	1.000	ST	



40 Separator

POS	Article no.	Description	Quantity	Unit
4	6.394-399.0	Cover complete	1.000	ST
1	6.363-227.0	Seal	1.000	ST
2	6.901-050.0	Suction hose only for replacement metal	1.000	ST
3	6.902-121.0	Suction tube aluminium only for replacem	1.000	ST