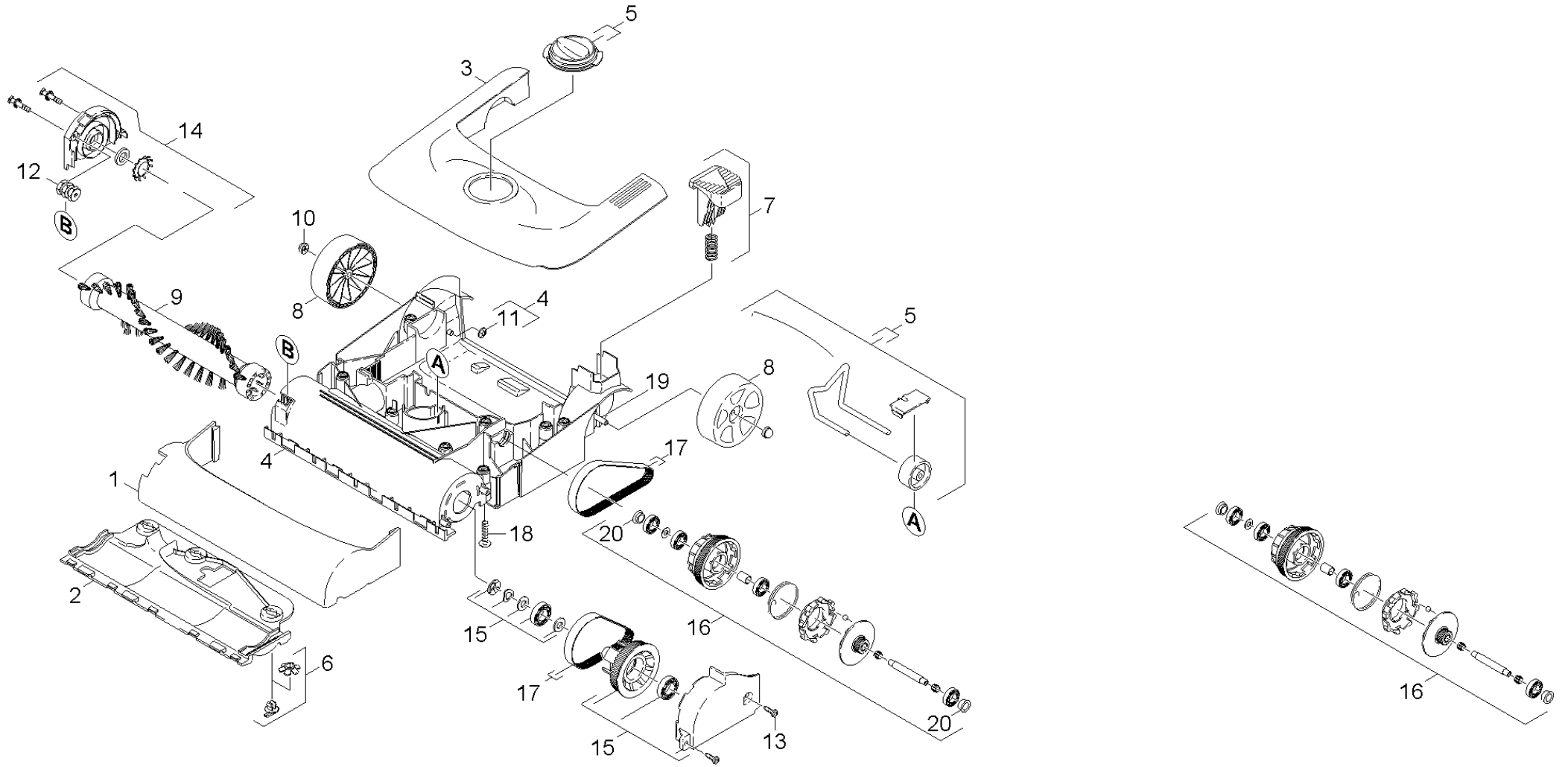


20 Brush-head

Professional \ Vacuum cleaner \ Dry vacuum cleaner \ CV 3.000 \ Spare parts list CV 3.000 \ Brush-head



20 Brush-head

Professional \ Vacuum cleaner \ Dry vacuum cleaner \ CV 3.000 \ Spare parts list CV 3.000 \ Brush-head

KÄRCHER

POS	Article no.	Description	Quantity	Unit
5	4.515-096.0	ADJUSTING WHEEL kpl.	1.000	ST
19	9.412-178.0	Axle	1.000	ST
1	5.032-404.0	Bumper CV 30/1	1.000	ST
6	2.884-273.0	Closure parts set only for replacement	1.000	ST
16	4.470-022.0	Coupler complete	1.000	ST
15	4.063-774.0	Covering cap complete belt	1.000	ST
14	4.063-892.0	Covering cap complete brush Aluminiumdru	1.000	ST
7	4.481-000.0	Foot pedal complete only for replacement	1.000	ST
4	4.060-697.0	Housing complete CV30/1	1.000	ST
3	5.060-978.0	Housing top part yellow CV 30/1	1.000	ST
10	6.343-187.0	Lock washer	2.000	ST
11	6.343-119.0	Lock washer	2.000	ST
20	5.032-617.0	Moulded part ring	2.000	ST
9	6.906-641.0	Roller brush black M	1.000	ST
13	7.303-106.0	Screw 4x12 -10.9-R2R (IN6RD)	2.000	ST
18	7.303-108.0	Screw 5x20 -10.9-R2R (In6Rd)	8.000	ST
12	5.401-288.0	Screw connector part	2.000	ST
2	5.058-404.0	Sliding bottom CV 30/1	1.000	ST
17	2.884-274.0	Spare parts set belt	1.000	ST
8	5.515-188.0	Wheel	2.000	ST