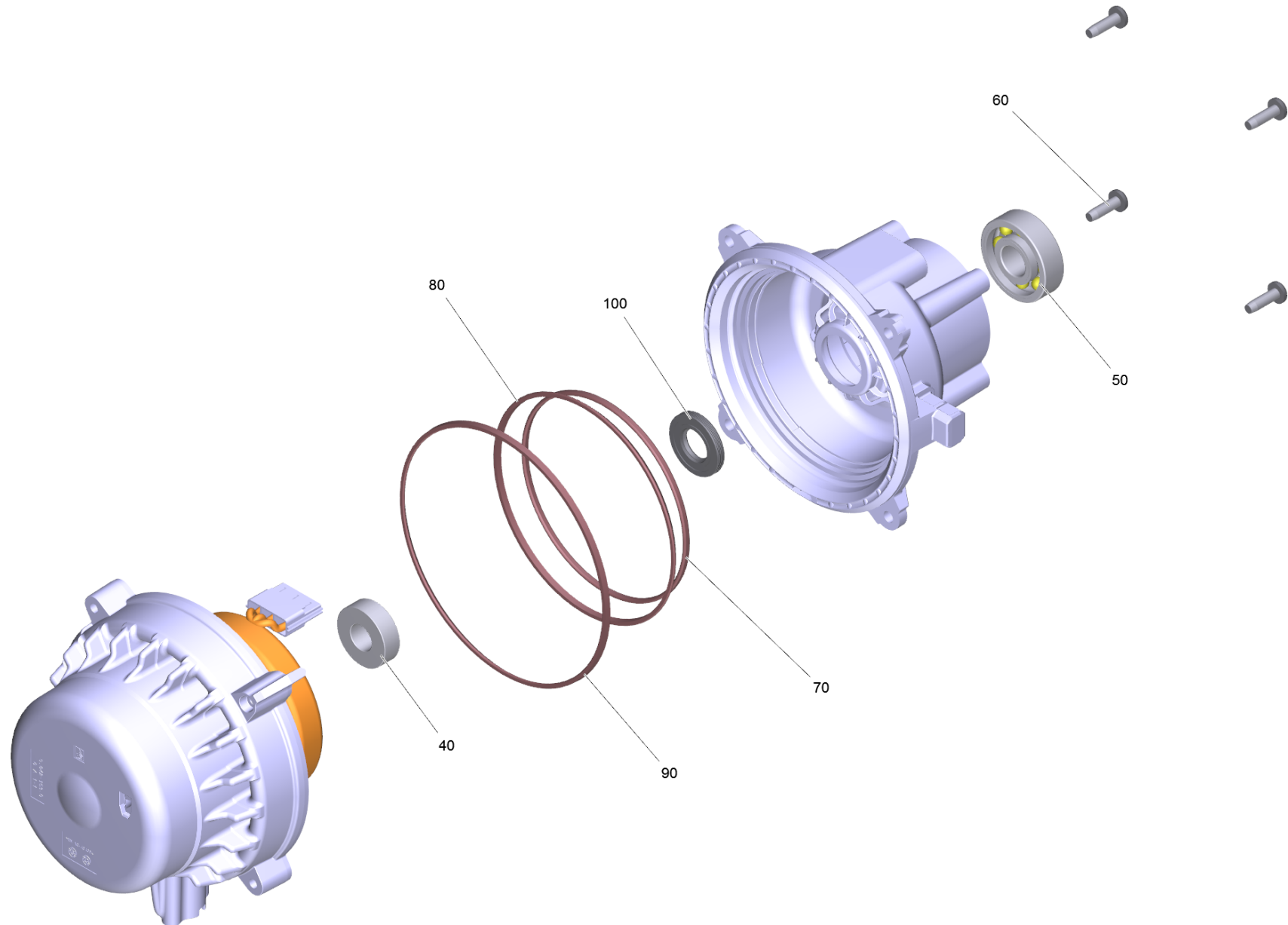


10 Motor complete FC H70 WCM 3/3.5

Home and Garden \ High pressure cleaner cold water \ Electric motor \ K 4 \ K 4 Power Control *EU \ Pump set K4 FC *EU kpl \ Motor complete FC H70 WCM 3/3.5 (spare) \ Motor complete FC H70 WCM 3/3.5



10 Motor complete FC H70 WCM 3/3.5

Home and Garden \ High pressure cleaner cold water \ Electric motor \ K 4 \ K 4 Power Control *EU \ Pump set K4 FC *EU kpl \ Motor complete FC H70 WCM 3/3.5 (spare) \ Motor complete FC H70 WCM 3/3.5

KÄRCHER

POS	Article no.	Description	Quantity	Unit
40	4.401-198.0	Ball bearing 6202-2RS -Wälzl.St DIN 625	1	PC
50	7.401-010.0	Ball bearing 6303 St DIN 625-1	1	PC
100	9.078-021.0	Grooved ring 17x35x5	1	PC
70	9.080-503.0	O-ring d.113,0x3.0 EPDM 70	1	PC
	Item text1: replaced by 9.081-456.0			
70	9.081-456.0	O-Ring seal 113x3 EPDM 70 Black	1	PC
	Item text1: successor of 9.080-503.0			
80	9.080-504.0	O-Ring seal 124x3 EPDM 70	1	PC
	Item text1: replaced by 9.081-457.0			
80	9.081-457.0	O-Ring seal 124x3 EPDM 70 Black	1	PC
	Item text1: successor of 9.080-504.0			
90	9.080-505.0	O-Ring seal 142.2x3 EPDM 70	1	PC
	Item text1: replaced by 9.081-458.0			
90	9.081-458.0	O-Ring seal 142.2x3 EPDM 70 Black	1	PC
	Item text1: successor of 9.080-505.0			
60	7.306-092.0	Screw M6x20 -St-8.8-R3R (In6Rd)	4	PC