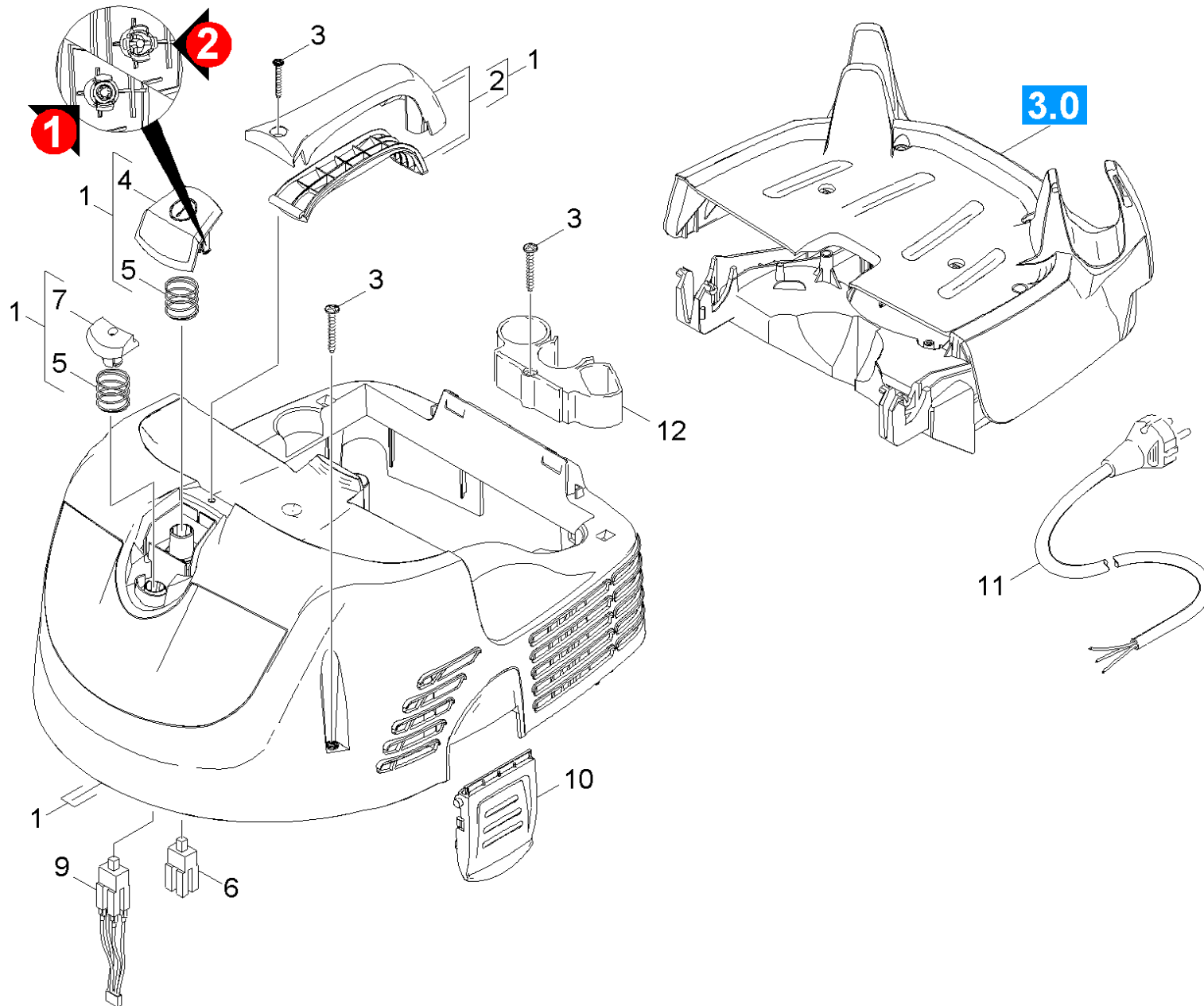


# 10 Cover

Professional \ Vacuum cleaner \ Wet-dry vacuum cleaner \ NT 35/1 Tact \*EU \ Spare parts list NT 35/1 Tact \ Cover



# 10 Cover

Professional \ Vacuum cleaner \ Wet-/dry vacuum cleaner \ NT 35/1 Tact \*EU \ Spare parts list NT 35/1 Tact \ Cover



POS	Article no.	Description	Quantity	Unit	Remark
11	6.648-233.0	Cable with plug *RA	1	PC	/*RA
1	4.066-365.0	Cover complete only for replacement	1	PC	
2	4.321-213.0	Handhold complete only for replacement	1	PC	
12	5.031-603.3	Holder accessories	1	PC	
11	6.650-081.0	Power cable 7,5m Gummi *AUS	1	PC	/*AU
11	6.650-079.0	Power cable 7,5m Gummi *EU	1	PC	/*EU
<b>Item text1:</b> 1.184-800.0					
11	6.650-082.0	Power cable 7,5m Gummi *GB	1	PC	/*GB
11	6.648-437.3	Power cable for replacement 7,5m PVC *EU	1	PC	/*EU
<b>Item text1:</b> 1.184-827.0					
3	7.303-086.0	Screw 5x30 -10.9-R2R (K-In6Rd)	5	PC	
4	4.324-072.0	Set pushbutton only for replacement	1	PC	
7	4.324-071.0	Set pushbutton only for replacement	1	PC	
5	5.332-934.0	Spring Pushbutton on/off	2	PC	
11	7.777-999.0	Stockpiling discontinued	1	PC	/*CH
10	5.033-256.3	Strap closure	2	PC	
6	6.630-437.0	Switch on/off	1	PC	
9	6.630-416.0	Switch with LED	1	PC	