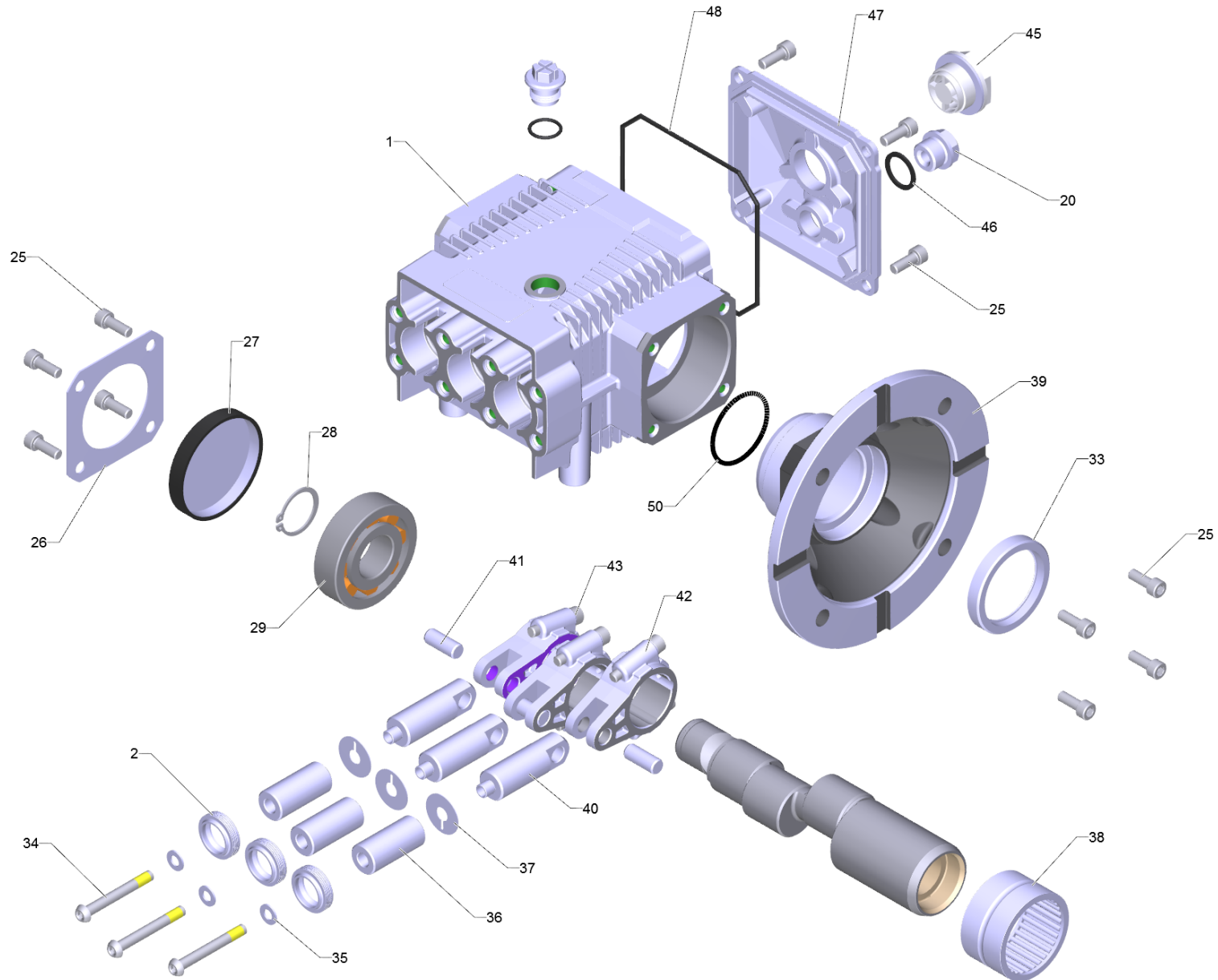


# 330 Pump set HD 9/20

Professional \ High pressure cleaner hotwater \ Electric motor \ HDS 9/20-4 Classic \*KAP \ Pump set HD 9/20



## 330 Pump set HD 9/20

Professional \ High pressure cleaner hotwater \ Electric motor \ HDS 9/20-4 Classic \*KAP \ Pump set HD 9/20

**KÄRCHER**

| POS | Article no. | Description                              | Quantity | Unit |
|-----|-------------|--|----------|------|
| 40  | 9.761-279.0 | Connecting rod                           | 3        | PC   |
| 27  | 9.761-118.0 | Covering cap bearing                     | 1        | PC   |
| 47  | 9.761-120.0 | Cover worked                             | 1        | PC   |
| 25  | 7.306-272.0 | Cylinder head screw M6x16-12.9-A2E ISO   | 12       | PC   |
| 20  | 9.761-057.0 | Drain plug G 3/8"                        | 1        | PC   |
| 55  | 6.288-050.0 | Engine oil 1L                            | 1        | PC   |
| 39  | 9.761-140.0 | Flange worked                            | 1        | PC   |
| 2   | 6.365-334.0 | Grooved ring 18X26X6/8                   | 3        | PC   |
| 1   | 9.761-278.0 | Housing worked                           | 1        | PC   |
| 35  | 9.761-177.0 | Joint ring                               | 3        | PC   |
| 46  | 9.761-007.0 | Joint ring G 3/8"                        | 1        | PC   |
| 33  | 9.761-137.0 | Joint ring W 42x55x8                     | 1        | PC   |
| 28  | 7.343-008.0 | Locking ring 25x1,2-St-vz DIN 471        | 1        | PC   |
| 43  | 9.761-207.0 | Lock washer                              | 6        | PC   |
| 38  | 9.761-138.0 | Needle bearing                           | 1        | PC   |
| 48  | 9.761-081.0 | O-Ring seal D 2.62x107                   | 1        | PC   |
| 50  | 9.761-180.0 | O-Ring seal D 55.56x3.55                 | 1        | PC   |
| 45  | 9.761-093.0 | Oil inspection glass G3/4"               | 1        | PC   |
| 53  | 9.761-022.0 | Oil level gauge G 3/8"                   | 1        | PC   |
| 34  | 9.761-174.0 | Pan head screw with Scotchgrip           | 3        | PC   |
| 41  | 9.761-077.0 | Pin                                      | 3        | PC   |
| 42  | 9.751-008.0 | Piston rod complete                      | 3        | PC   |
| 26  | 9.761-073.0 | Plate covering cap                       | 1        | PC   |
| 29  | 7.401-353.0 | Roller bearing NUP 305-Waelz.St. DIN 541 | 1        | PC   |
| 36  | 9.761-071.0 | Sleeve D 18                              | 3        | PC   |
| 37  | 9.761-078.0 | Washer D 9.3 x 24                        | 3        | PC   |