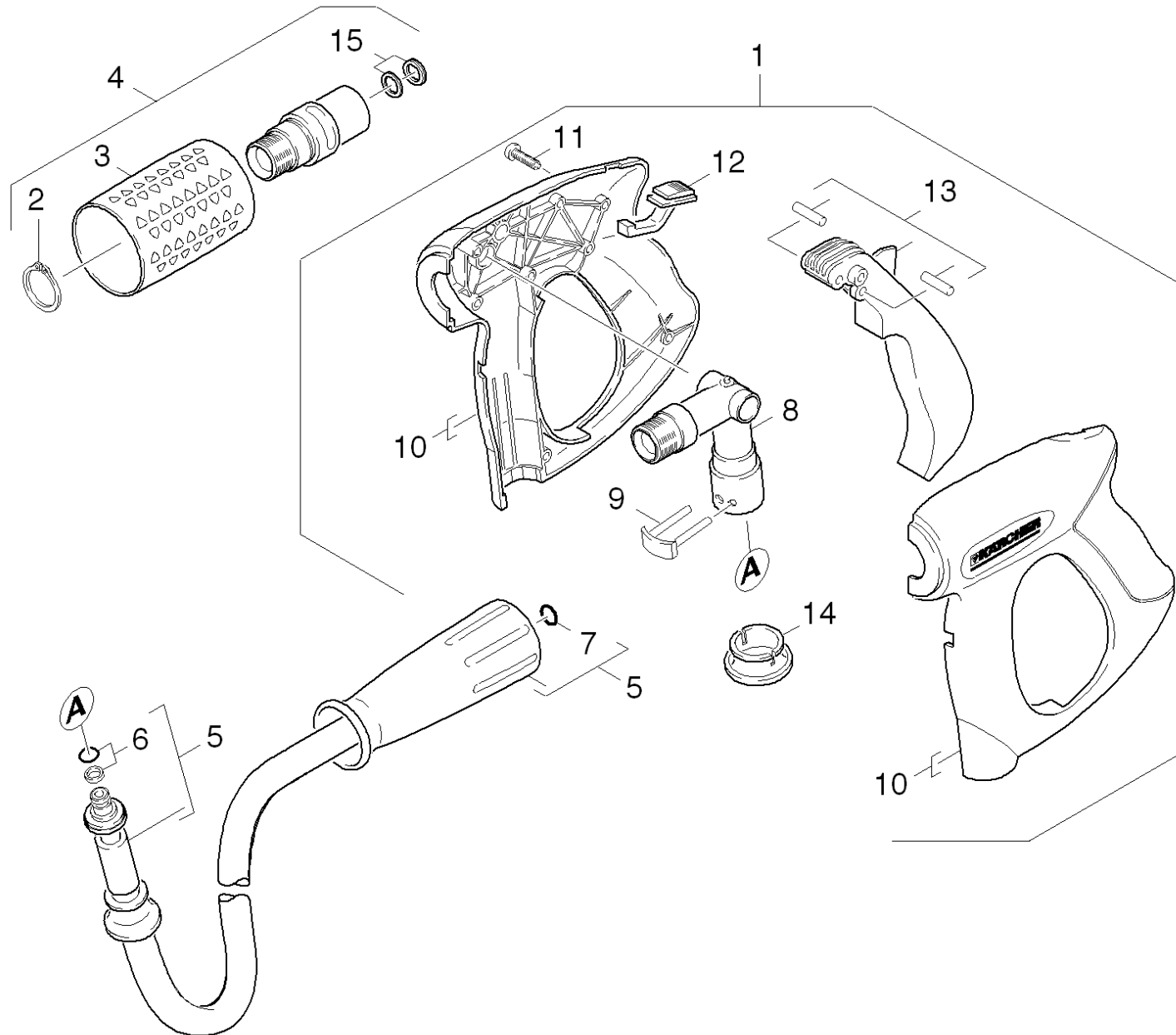


# 102 Hand trigger gun

Professional \ High pressure cleaner hotwater \ Electric motor \ HDS 695 S \*EU \ Spare parts list HDS 695 S \ Accessories \ Hand trigger gun



## 102 Hand trigger gun

Professional \ High pressure cleaner hotwater \ Electric motor \ HDS 695 S \*EU \ Spare parts list HDS 695 S \ Accessories \ Hand trigger gun

**KÄRCHER**

POS	Article no.	Description	Quantity	Unit
15	4.363-692.0	Grooved ring kpl. -nur fuer Ersatz-	1	PC
10	5.321-669.3	Handhold few	1	PC
3	5.321-668.0	Handle	1	PC
1	4.775-463.0	HAND TRIGGER GUN EASY PRESS	1	PC
9	4.037-013.0	Hook	1	PC
5	6.391-351.0	Hose assembly only for replacement DN8 4	1	PC
13	4.481-209.3	Lever complete for replacement	1	PC
2	7.343-008.0	Locking ring 25x1,2-St-vz DIN 471	1	PC
8	4.427-215.3	Manifold cpl. only for replacement	1	PC
6	4.363-691.0	O-Ring seal kpl. -nur fuer Ersatz-	1	PC
4	4.775-470.0	Rotary controller 416L	1	PC
11	7.303-096.0	Screw 4x22-ST-10.9-R2R (IN6RD)	7	PC
14	5.110-596.0	Sleeve	1	PC
12	5.481-331.0	Slider	1	PC
7	2.880-990.0	Spare part set O-Ring 5x -Kaercher	1	PC