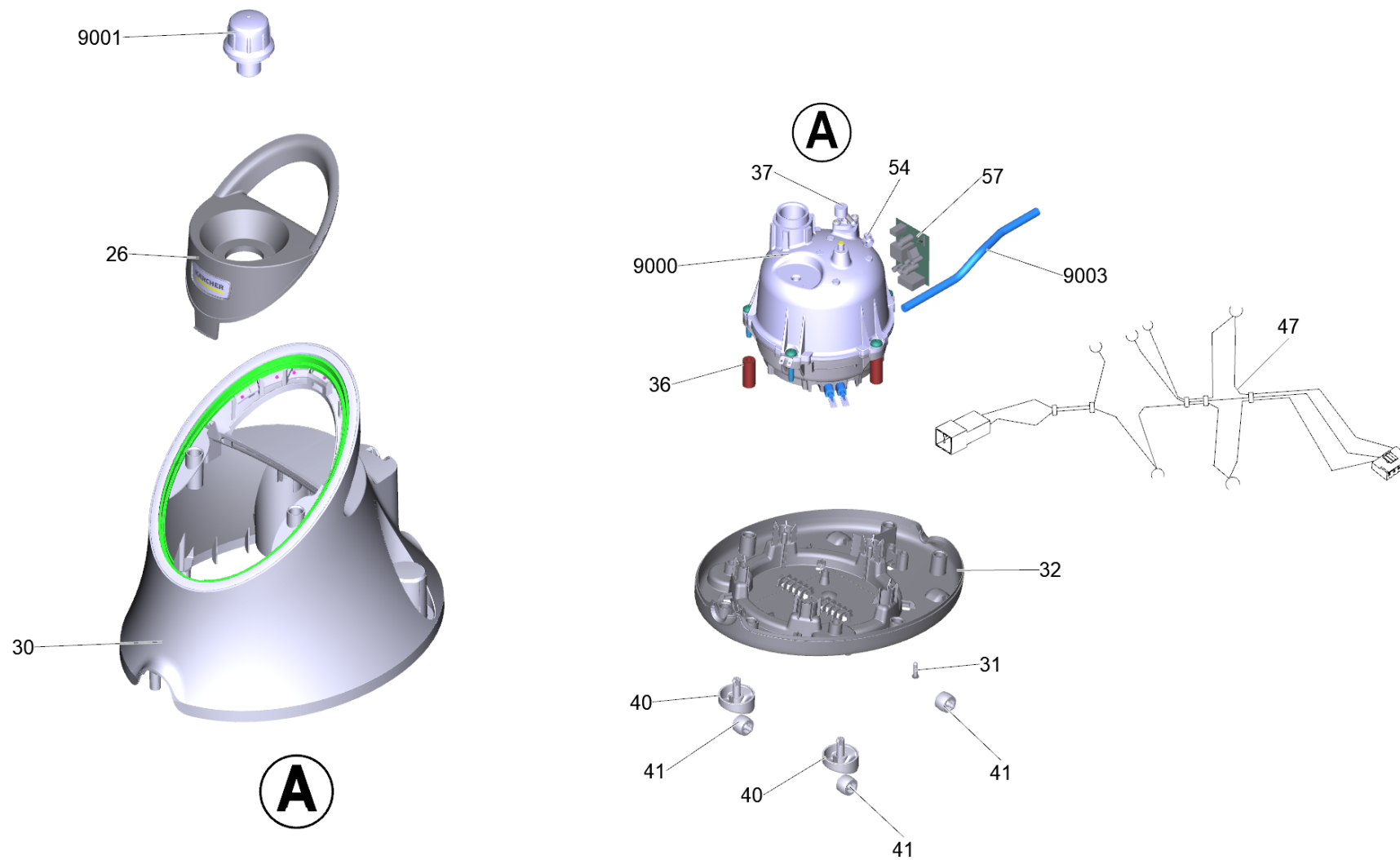


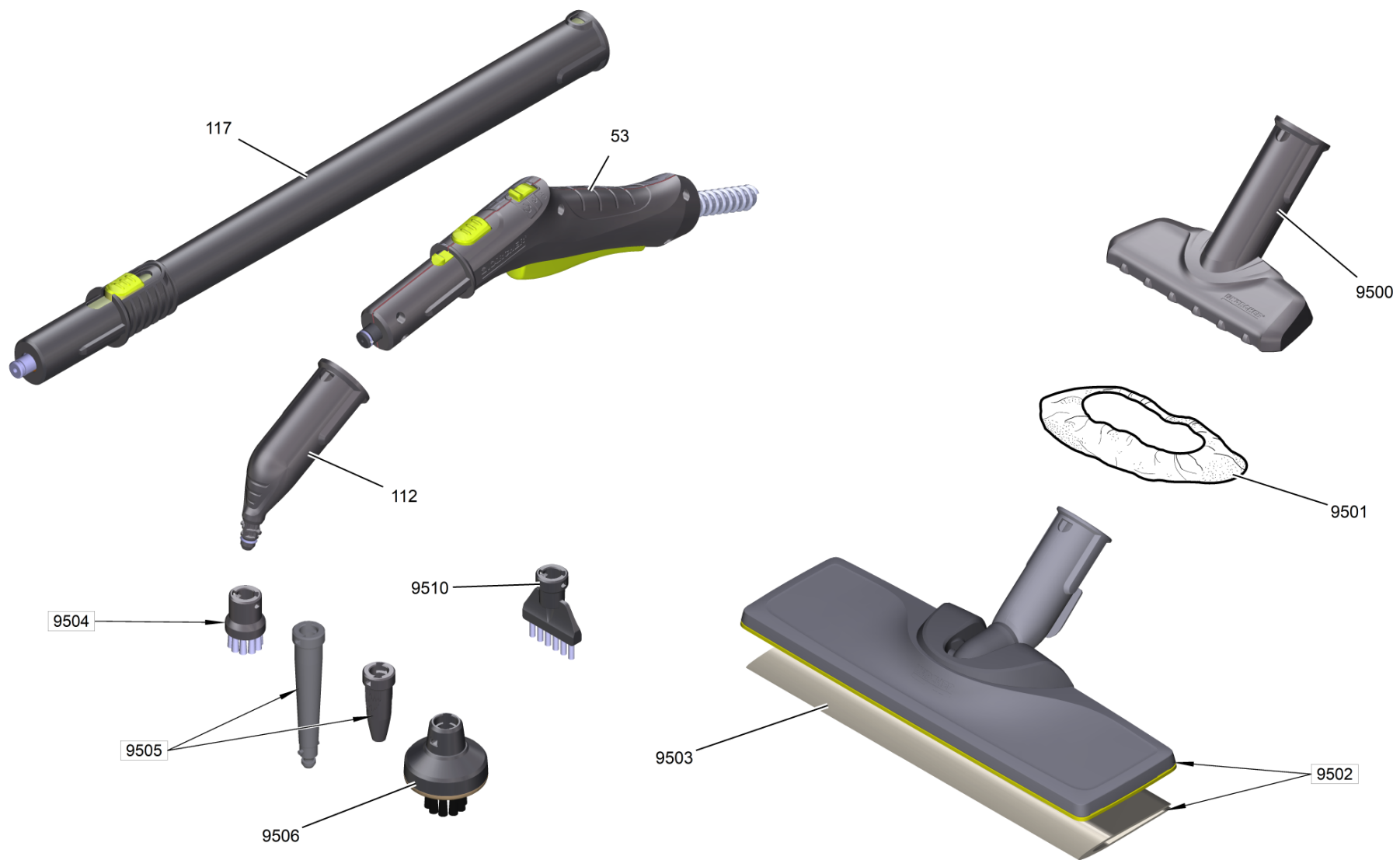
Spare parts list

(1.513-253.0) SC 2 Deluxe EasyFix Premium *EU

Table of contents

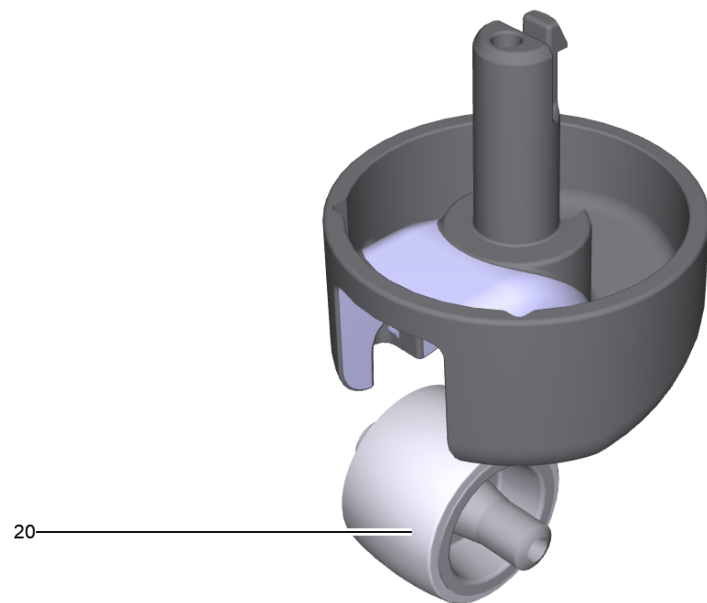
SC 2 Deluxe EasyFix Premium *EU (1.513-253.0)	3
40 Castor complete DD (4.512-126.0)	6
53 Steam hose complete SC CTK wh (4.321-443.0)	8
112 Point jet nozzle complete PA (4.130-021.0)	10
117 Extension pipe bk/gy (4.127-027.3)	12
9000 Boiler complete replacement SC 2 DD (4.071-267.0)	14
9002 Elbow nipple set replacement (4.509-000.0)	16
9505 Power nozzle set (2.863-263.0)	18





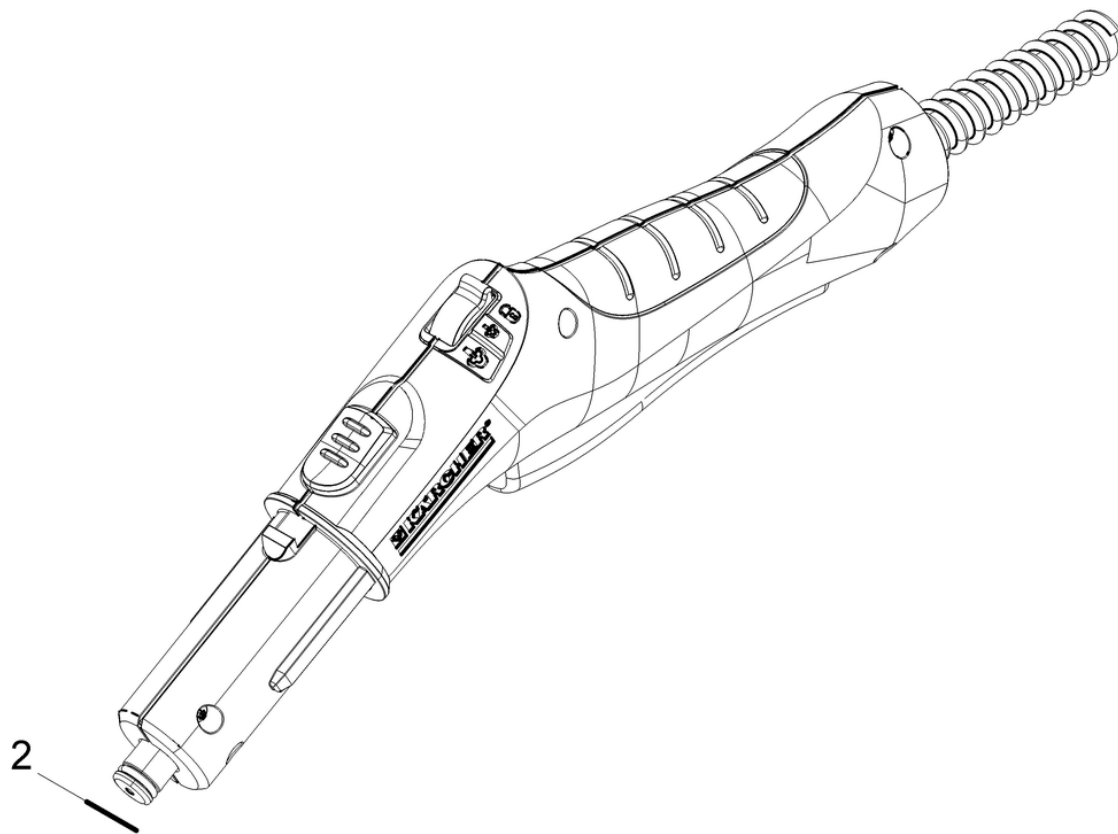
SC 2 Deluxe EasyFix Premium *EU (1.513-253.0)

POS	Article no.	Description	Quantity	Unit
26	4.071-308.0	Housing insert complete only for replacement	1	PC
30	4.071-319.0	Upper housing complete only for replacement	1	PC
31	7.303-108.0	Screw 5x20 -10.9-R2R (In6Rd)	8	PC
32	5.512-298.3	Bottom housing only for replacement	1	PC
36	6.512-001.0	Bearing rubber bottom	3	PC
37	6.512-043.0	Bearing rubber above DD	1	PC
40	4.512-126.0	Castor complete DD	2	PC
41	5.512-328.3	Castor only for replacement	2	PC
43	6.516-002.0	Pocket accessories large DD	1	PC
47	4.039-297.3	Cable set for replacement	1	PC
53	4.321-443.0	Steam hose complete SC CTK wh	1	PC
54	6.390-408.0	Hose clip continuously variable 9,5	1	PC
57	4.071-309.0	Electronics power supply for replacement	1	PC
100	5.387-036.0	Warning sign	1	PC
112	4.130-021.0	Point jet nozzle complete PA	1	PC
117	4.127-027.3	Extension pipe bk/gy	2	PC
9000	4.071-267.0	Boiler complete replacement SC 2 DD	1	PC
9001	4.590-007.0	Safety lock replacement SC 1	1	PC
9003	6.650-729.0	Power cable *EU 4m (class 6)	1	PC
9500	2.884-280.0	Hand nozzle	1	PC
9501	2.863-270.0	Microfibre covers for hand nozzle	1	PC
9502	2.863-267.0	Floor nozzle set EasyFix	1	PC
9503	2.863-265.0	Microfibre cloth set kitchen	1	PC
9504	2.863-264.0	Round brushes set	1	PC
9505	2.863-263.0	Power nozzle set	1	PC
9506	2.863-022.0	Round brush large special accessories	1	PC
9510	9.765-782.0	Brush corner	1	PC



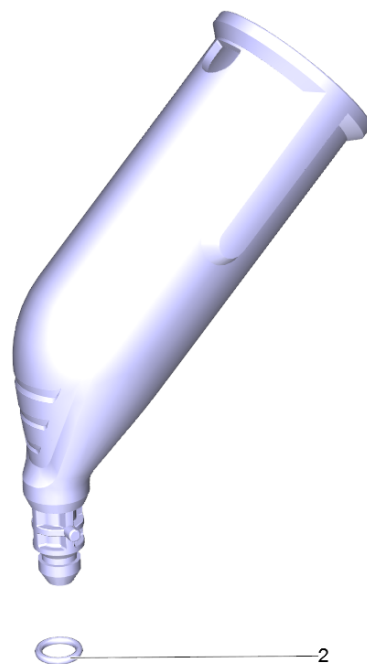
40 Castor complete DD (4.512-126.0)

POS	Article no.	Description	Quantity	Unit
20	5.512-328.0	Castor DD	1	PC



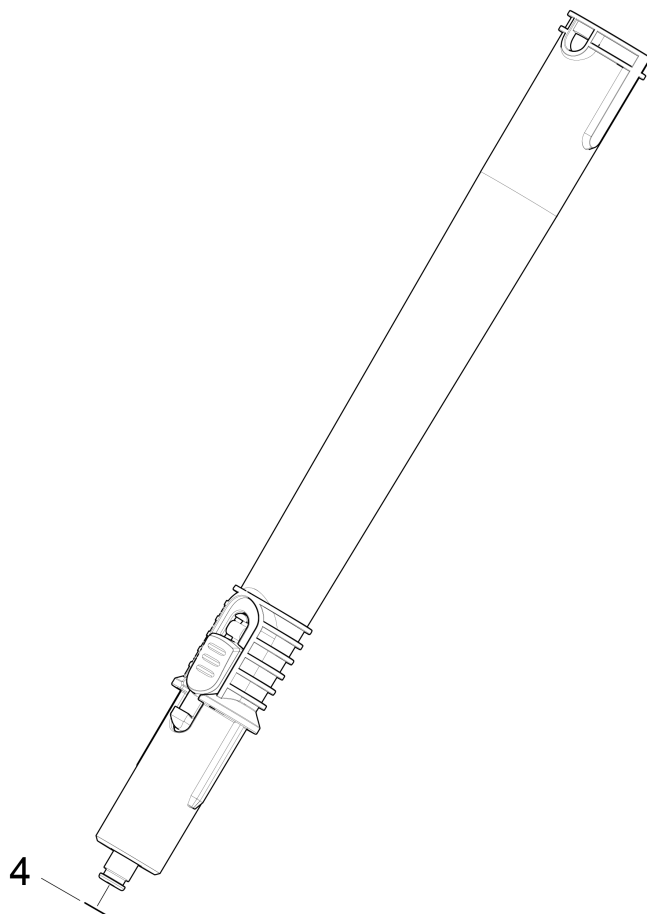
53 Steam hose complete SC CTK wh (4.321-443.0)

POS	Article no.	Description	Quantity	Unit
2	6.362-922.0	O-Ring seal 8,73x1,78	1	PC



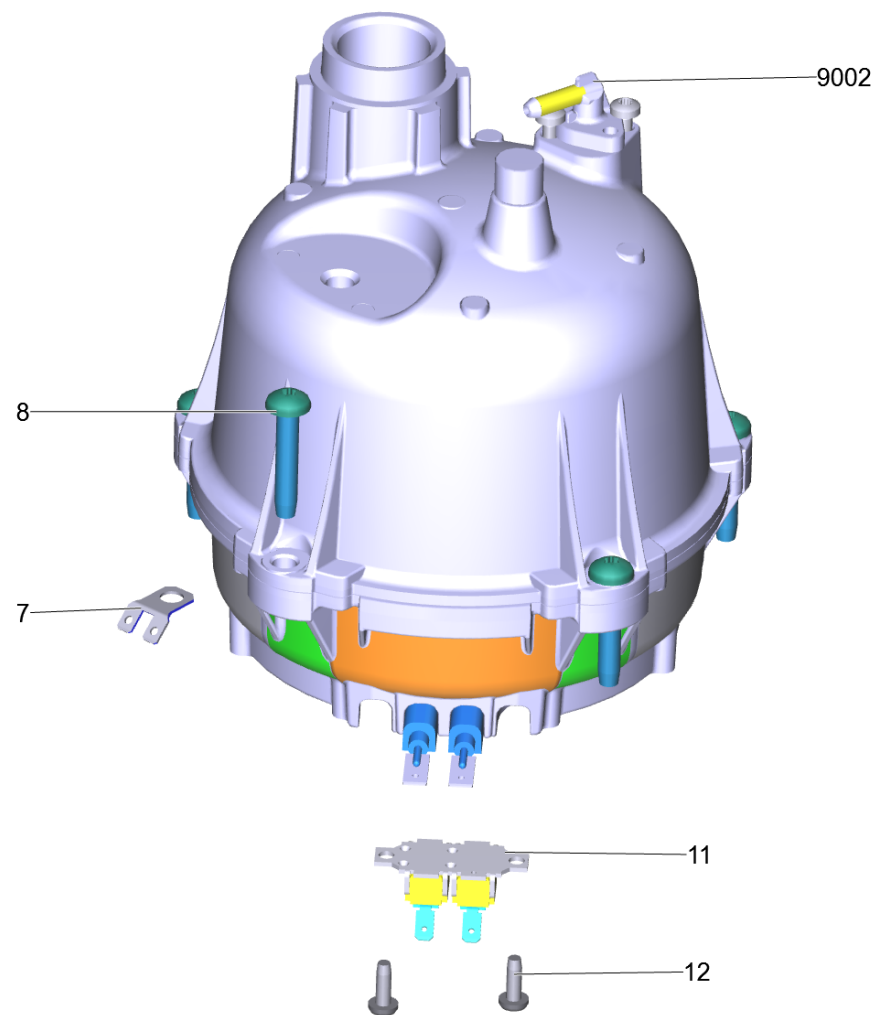
112 Point jet nozzle complete PA (4.130-021.0)

POS	Article no.	Description	Quantity	Unit
2	6.362-186.0	O-Ring seal 7,65X 1,78	1	PC



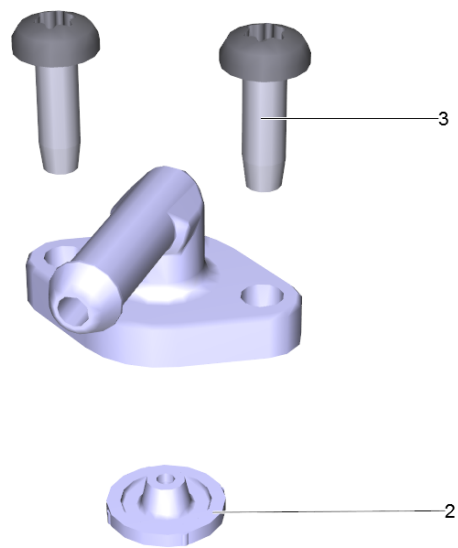
117 Extension pipe bk/gy (4.127-027.3)

POS	Article no.	Description	Quantity	Unit
3	7.777-999.0	Stockpiling discontinued	1	PC
4	6.362-922.0	O-Ring seal 8,73x1,78	1	PC



9000 Boiler complete replacement SC 2 DD (4.071-267.0)

POS	Article no.	Description	Quantity	Unit
7	6.651-026.0	Tab double 2x 4,8x0,8	1	PC
8	6.303-043.0	Screw M6x32	5	PC
11	6.630-649.0	Combination TR-TS Discomelt 2	1	PC
12	7.303-319.0	Screw M4x8-St-flZnncTlx240hx (In6Rd)	2	PC
9002	4.509-000.0	Elbow nipple set replacement	1	PC



9002 Elbow nipple set replacement (4.509-000.0)

POS	Article no.	Description	Quantity	Unit
2	5.363-770.0	Seal throttle 1800W	1	PC
3	7.303-032.0	Screw M4x12 -St-R2R (In6Rd)	2	PC

9505 Power nozzle set (2.863-263.0)

POS	Article no.	Description	Quantity	Unit
2	6.362-924.0	O-Ring seal 6,02X 2,62	1	PC