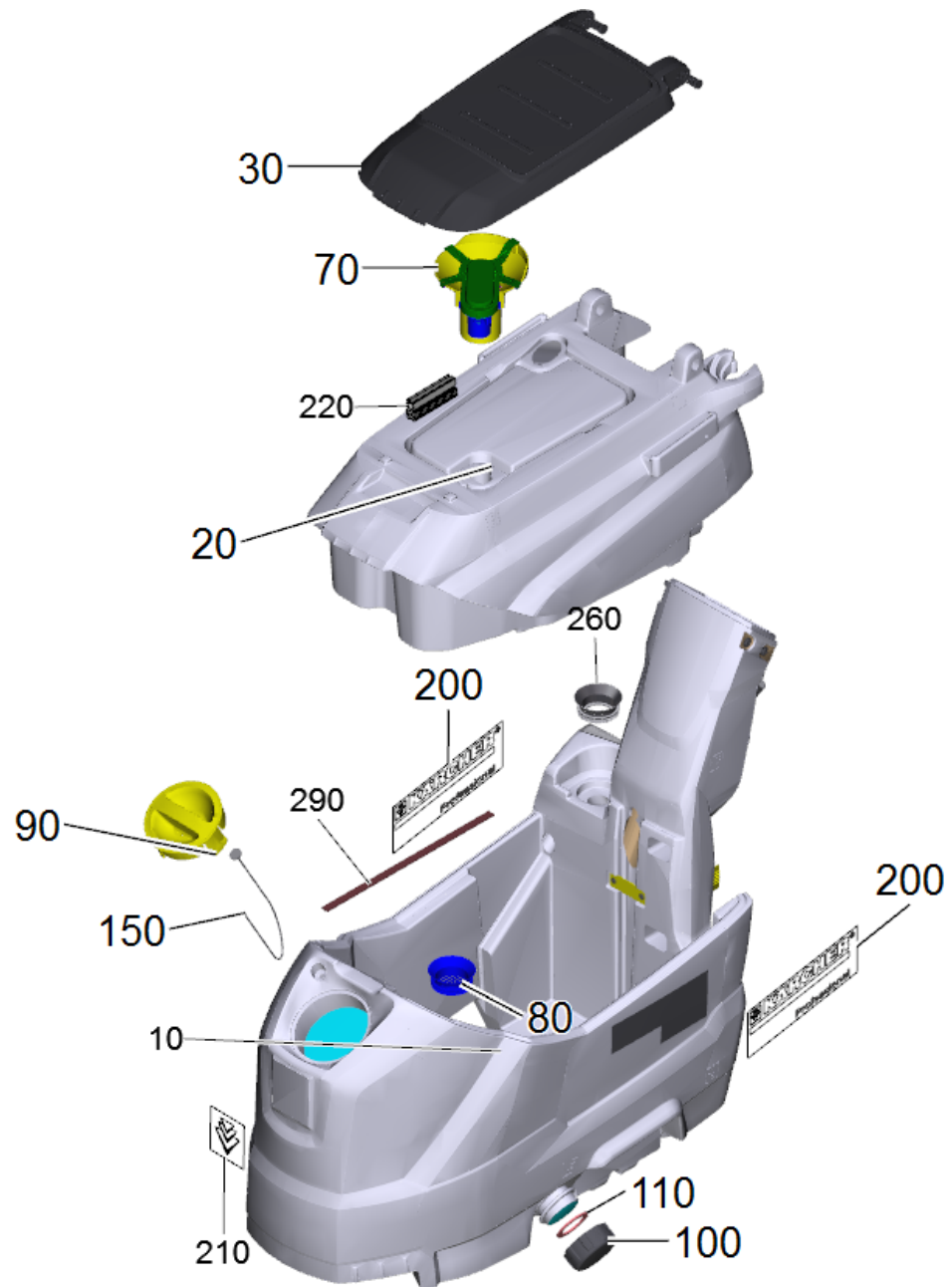
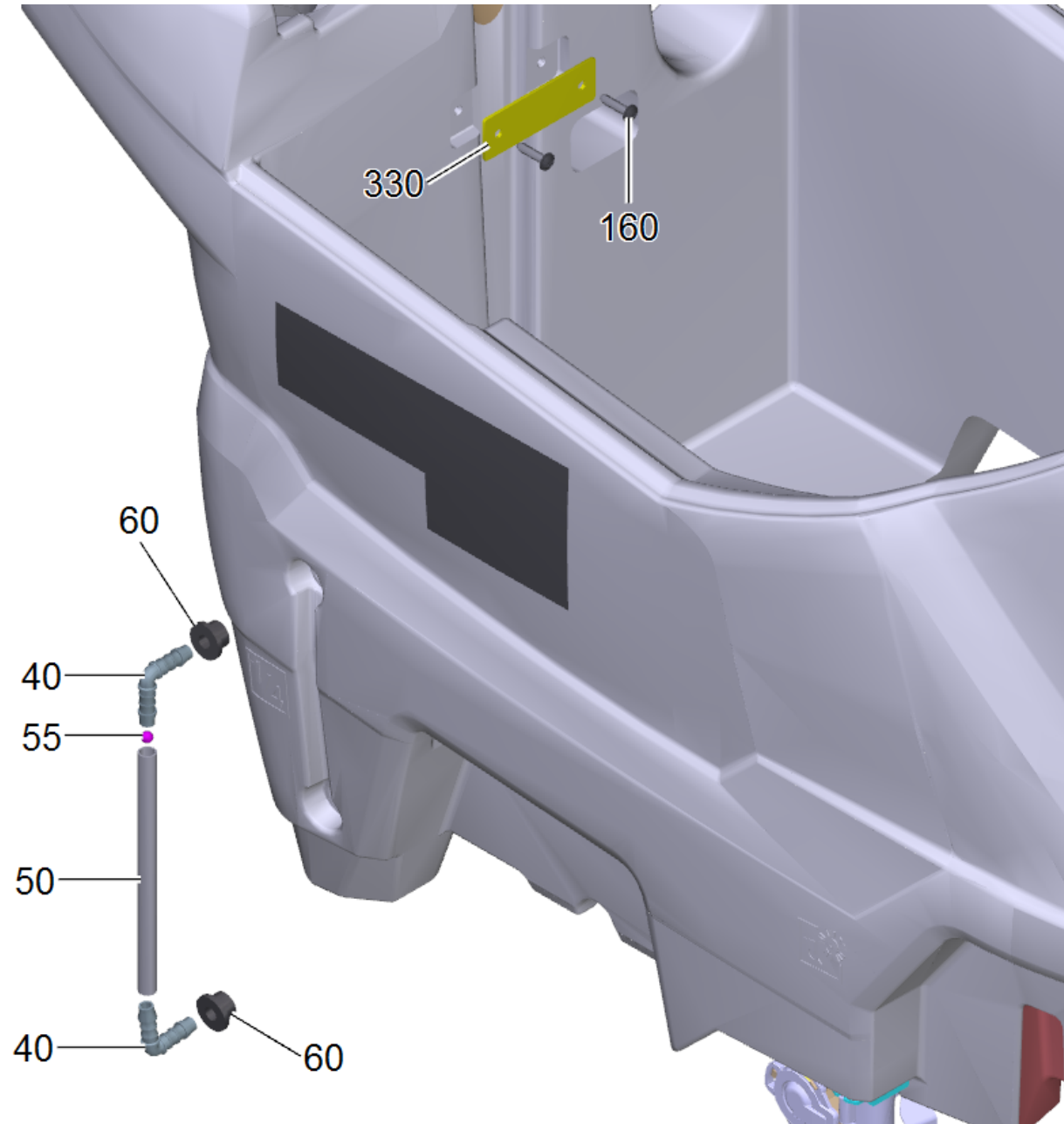


10 Tank complete B 25 Bp

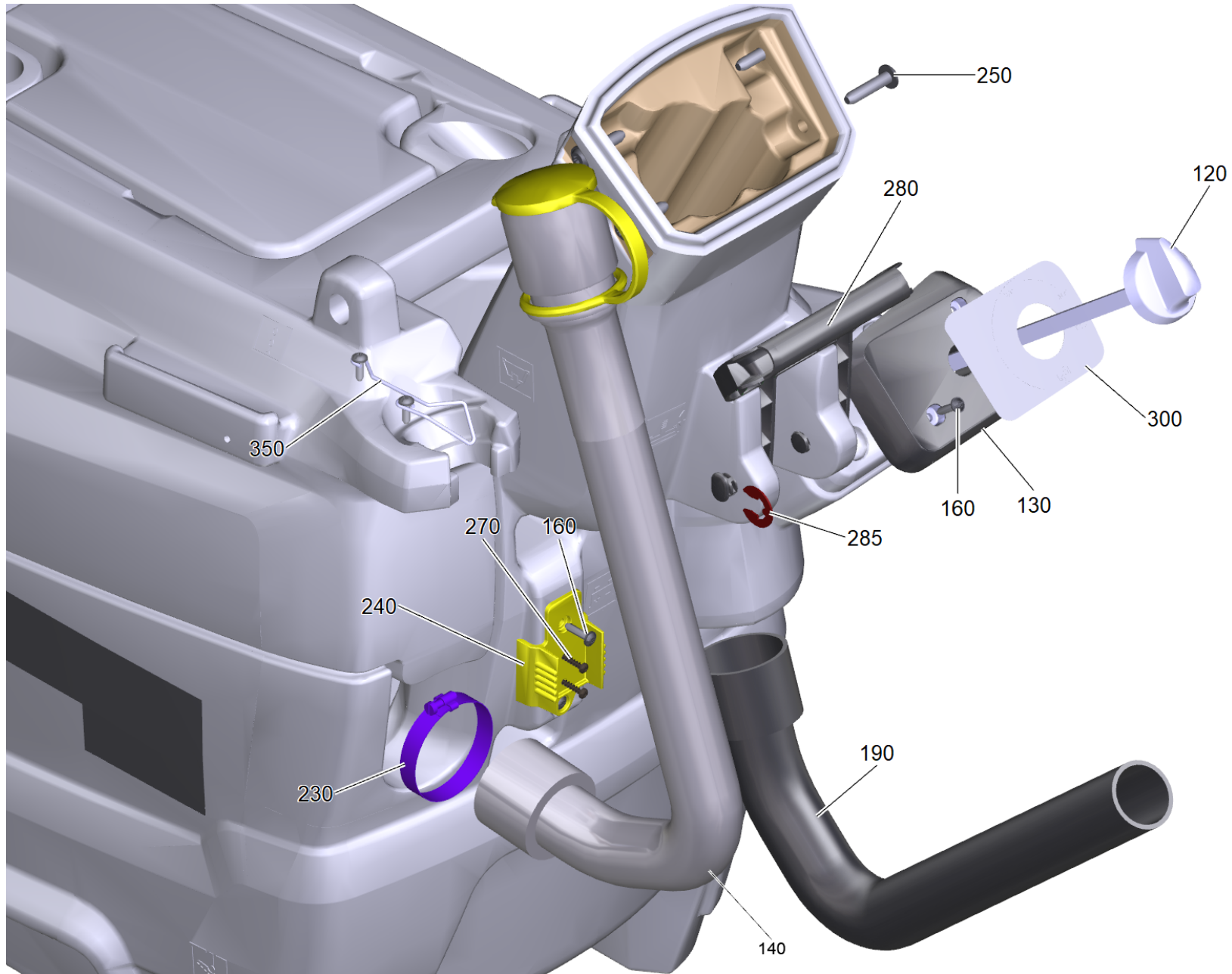
Professional \ Floor cleaner \ Walk behind \ BD 43/25 C Bp Pack *EU \ Tank complete B 25 Bp





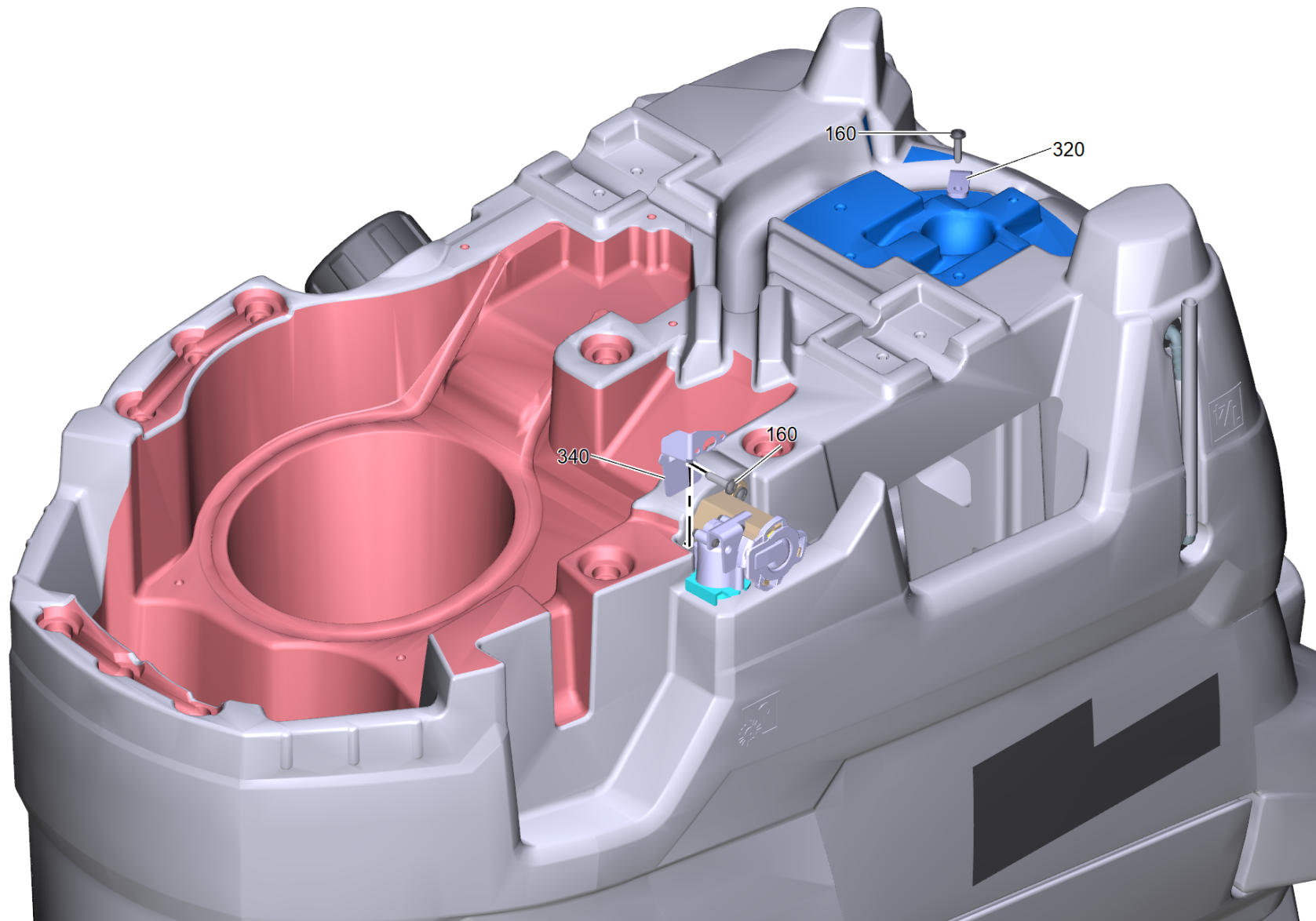
10 Tank complete B 25 Bp

Professional \ Floor cleaner \ Walk behind \ BD 43/25 C Bp Pack *EU \ Tank complete B 25 Bp



10 Tank complete B 25 Bp

Professional \ Floor cleaner \ Walk behind \ BD 43/25 C Bp Pack *EU \ Tank complete B 25 Bp



10 Tank complete B 25 Bp

Professional \ Floor cleaner \ Walk behind \ BD 43/25 C Bp Pack *EU \ Tank complete B 25 Bp



| POS | Article no. | Description | Quantity | Unit |
|-----|-------------|---|----------|------|
| 10 | 9.755-588.0 | Fresh water tank replacement B25Bp | 1 | PC |
| 20 | 9.755-543.0 | Waste water tank replacement B25 BP | 1 | PC |
| 30 | 9.755-479.0 | Cap of a tank waste water replacement | 1 | PC |
| 40 | 6.391-913.0 | Elbow nipple | 2 | PC |
| 50 | 9.763-121.0 | Silicon hose level indicator | 1 | PC |
| 55 | 6.035-072.0 | Sphere level indicator D6 | 1 | PC |
| 60 | 5.035-608.0 | Wire protecting sleeve | 2 | PC |
| 70 | 9.753-001.0 | Float regulator complete | 1 | PC |
| 80 | 9.763-012.0 | Seal turbine strainer | 1 | PC |
| 90 | 5.034-099.0 | Cover fresh water metering RM | 1 | PC |
| 100 | 9.763-007.0 | Cover fresh water tank | 1 | PC |
| 110 | 9.763-008.0 | Seal fresh water discharge | 1 | PC |
| 120 | 9.753-101.0 | Solenoid valve complete replacement BD25+50 24V | 1 | PC |
| 130 | 9.755-480.0 | Covering cap ball valve replacement | 1 | PC |
| 140 | 9.755-646.0 | Drain hose with cover replacement | 1 | PC |
| 150 | 5.035-358.0 | Mounting rope cover fresh water tank | 1 | PC |
| 160 | 7.303-108.0 | Screw 5x20 -10.9-R2R (In6Rd) | 8 | PC |
| 190 | 9.763-037.0 | Suction hose DN32 | 1 | PC |
| 200 | 5.392-921.0 | Label side 250 x 97 | 2 | PC |
| 210 | 5.394-081.0 | Label signet gel 78x86 | 1 | PC |
| 220 | 9.755-482.0 | Sealing profile replacement | 1 | PC |
| 230 | 6.388-713.0 | Hose clip | 1 | PC |
| 240 | 9.763-045.0 | Retainer battery plug Anderson | 1 | PC |
| 250 | 6.303-315.0 | Screw 8 x 35 | 4 | PC |
| 260 | 9.763-043.0 | Seal suction bar air | 1 | PC |
| 270 | 7.303-084.0 | Screw 4x25 -10.9-R2R (K-In6Rd) | 2 | PC |
| 280 | 9.763-041.0 | Lever suction beam retraction | 1 | PC |
| 285 | 9.763-079.0 | Lock washer | 1 | PC |
| 290 | 9.755-483.0 | Sealing tape cellularrubber replacement | 1 | PC |
| 300 | 9.763-060.0 | Label water regulation | 1 | PC |
| 320 | 9.763-116.0 | Cable clamp 16 | 1 | PC |
| 330 | 9.763-086.0 | Cable support plate | 1 | PC |
| 340 | 9.763-369.0 | Retaining plate solenoid valve BD50 25 | 1 | PC |

10 Tank complete B 25 Bp

Professional \ Floor cleaner \ Walk behind \ BD 43/25 C Bp Pack *EU \ Tank complete B 25 Bp



| POS | Article no. | Description | Quantity | Unit |
|-----|-------------|-------------------------------|----------|------|
| 350 | 9.755-694.0 | Wire bracket hose replacement | 1 | PC |