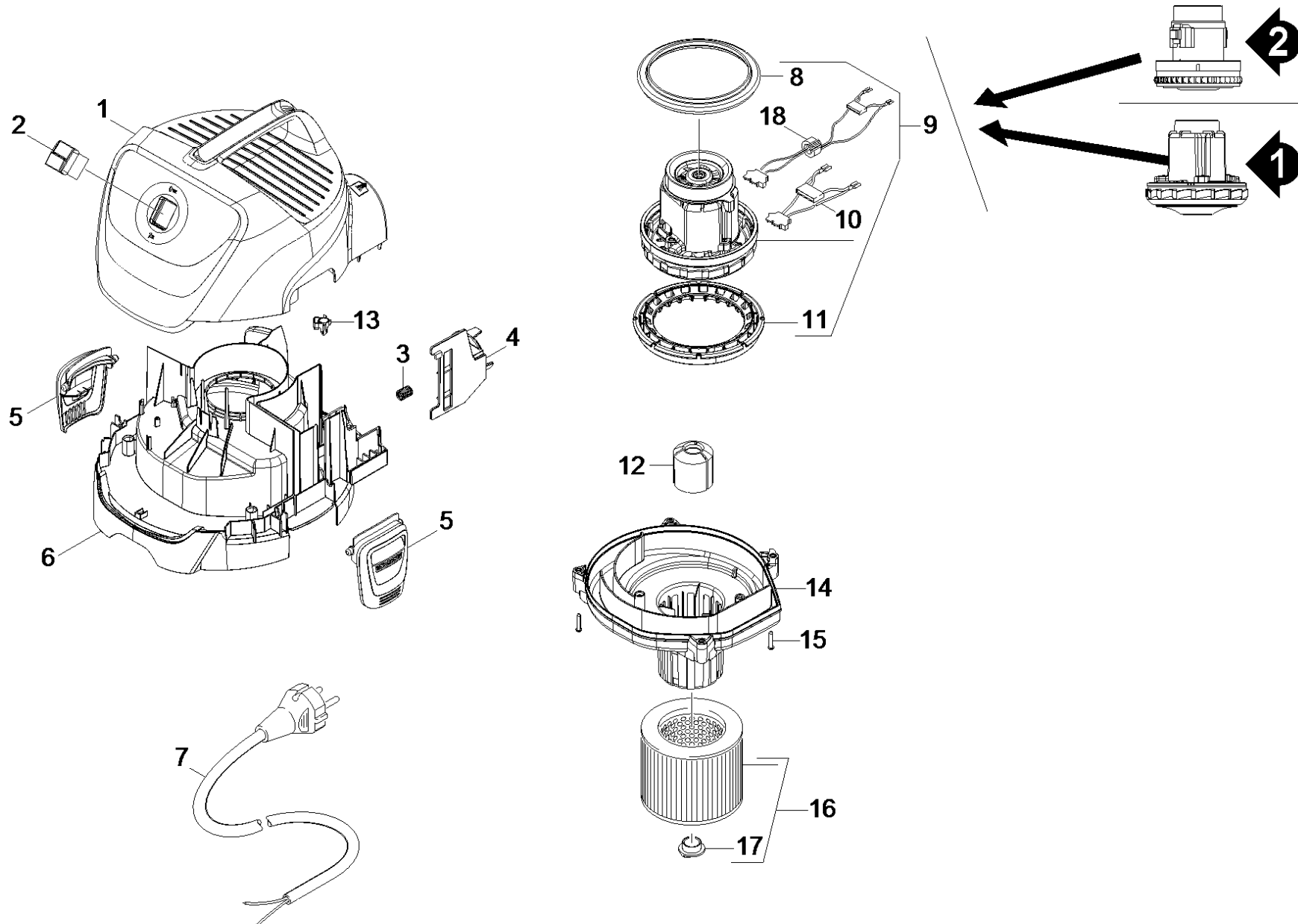


10 Appliance individual parts

Home and Garden \ Vacuum cleaner \ Wet-/Dry vacuum cleanerwet \ WD 3.200 AF *EU-II \ Spare parts list WD 3.200 \ Appliance individual parts



10 Appliance individual parts

Home and Garden \ Vacuum cleaner \ Wet-/Dry vacuum cleanerwet \ WD 3.200 AF *EU-II \ Spare parts list WD 3.200 \ Appliance individual parts



POS	Article no.	Description	Quantity	Unit	Remark	Foot note text
11	5.365-324.0	Bearing motor height compensation	1	PC		VERSION 2
11	5.731-657.0	Bearing turbine new CER	1	PC		VERSION 1
18	4.649-075.0	Cable ferrite ring complete	1	PC		
	Item text1: 1.629-600.0 / -601.0 / -602.0 / -603.0 / -604.0 / -605.0 / -606.0 / -607.0 / -610.0 / -611.0 / -612.0					
10	4.629-004.0	Cable with capacitor	1	PC		VERSION 1
	Item text1: 1.629-600.0 / -601.0 / -602.0 / -603.0 / -604.0 / -605.0 / -606.0 / -607.0 / -610.0 / -611.0 / -612.0					
10	4.649-109.0	Cable with capacitor 100/120V	1	PC		
	Item text1: 1.629-608.0 / -609.0					
10	6.650-121.0	Cable with capacitor DNA	1	PC		
	Item text1: 1.629-605.0					
7	6.649-148.0	Cable with plug *AU	1	PC	*AU	
7	6.651-973.3	Cable with plug *CH - 4,5m (H05 VV-F 2x0	1	PC	*GB	
7	6.647-996.0	Cable with plug *EU Cable with plug	1	PC	*EU /*NL	
7	9.084-161.0	Cable with plug 2x16 AWG *MX/ *BR	1	PC	*MX /*CO	
7	6.650-092.0	Cable with plug H05 VV-F 2x0,75 *CH	1	PC	*CH	
16	2.863-303.0	Cartridge filter WD/SE	1	PC		
5	5.075-037.3	Closure	2	PC		
17	4.075-012.0	Closure complete	1	PC		
1	5.069-310.3	Cover WD 3 / WD 3.XXX neutral	1	PC		
14	5.731-646.3	Filter cage	1	PC		
12	5.628-013.3	Floater	1	PC		
3	5.332-997.3	Helical spring	1	PC		
6	5.053-183.0	Motor bracket	1	PC		
13	5.034-734.0	Retaining bracket	1	PC		
	Item text1: 1.629-600.0 / -601.0 / -602.0 / -603.0 / -604.0 / -605.0 / -606.0 / -607.0 / -610.0 / -611.0 / -612.0					
13	5.034-736.0	Retaining bracket cable	1	PC		
	Item text1: 1.629-608.0 / -609.0					
15	7.303-096.0	Screw 4x22-ST-10.9-R2R (IN6RD)	6	PC		
8	9.079-024.0	Seal motor above	1	PC		
4	5.640-363.0	Slider	1	PC		
7	7.777-999.0	Stockpiling discontinued	1	PC	*AR	
7	7.777-999.0	Stockpiling discontinued	1	PC	*CN	

10 Appliance individual parts

Home and Garden \ Vacuum cleaner \ Wet-/Dry vacuum cleanerwet \ WD 3.200 AF *EU-II \ Spare parts list WD 3.200 \ Appliance individual parts



POS	Article no.	Description	Quantity	Unit	Remark	Foot note text
2	6.630-087.3	Switch	1	PC		
9	4.624-103.0	Vacuum motor complete for replacement 12	1	PC		
	Item text1: 1.629-608.0 / -609.0					
9	4.490-269.0	Vacuum motor complete for replacement 12	1	PC		
	Item text1: 1.629-605.0					
9	4.624-025.0	Vacuum motor complete für Ersatz 1200W	1	PC		
	Item text1: 1.629-600.0 / -601.0 / -602.0 / -603.0 / -604.0 / -605.0 / -606.0 / -607.0 / -610.0 / -612.0					