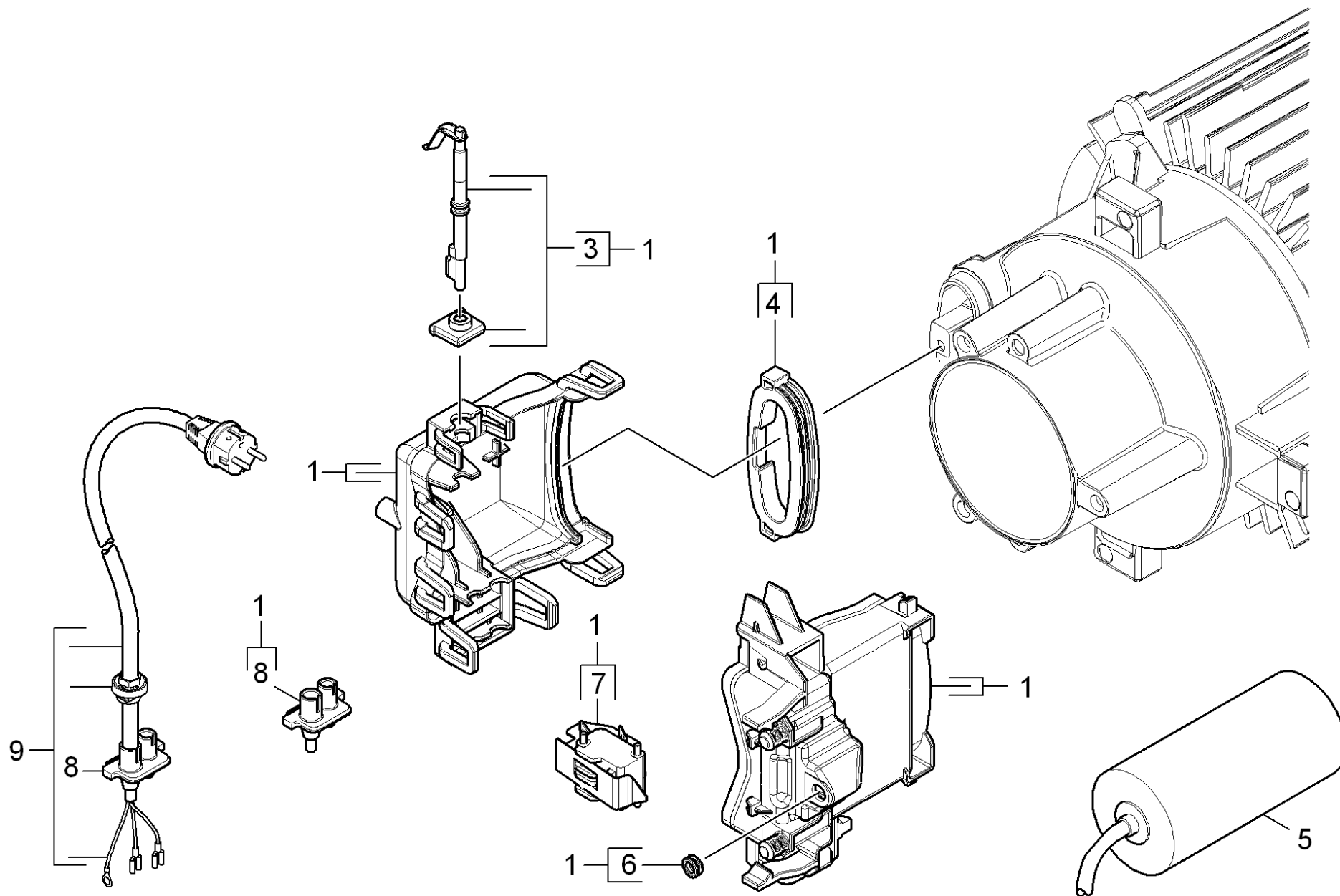


# 50 Electric box

Professional \ High pressure cleaner cold water \ Electric motor \ HD 5/12 C \ Spare parts list HD 5/12 C \ Electric box



## 50 Electric box

Professional \ High pressure cleaner cold water \ Electric motor \ HD 5/12 C \ Spare parts list HD 5/12 C \ Electric box

**KÄRCHER**

POS	Preces Nr.	Apraksts	Skaitis	Vienība
1	2.885-375.0	Spare parts set electric box complete HD	1.000	ST
3	2.885-376.0	Selector shaft spare parts set HDC	1.000	ST
4	5.363-761.0	Seal label	1.000	ST
5	6.650-109.0	Capacitor with cable 40 µF (Silikon)	1.000	ST
6	5.363-749.0	Seal control piston	1.000	ST
7	6.961-000.0	Mikroslēdzis	1.000	ST
8	5.363-807.0	Seal cable HDC	1.000	ST
9	6.650-201.0	Cable with plug *EU	1.000	ST