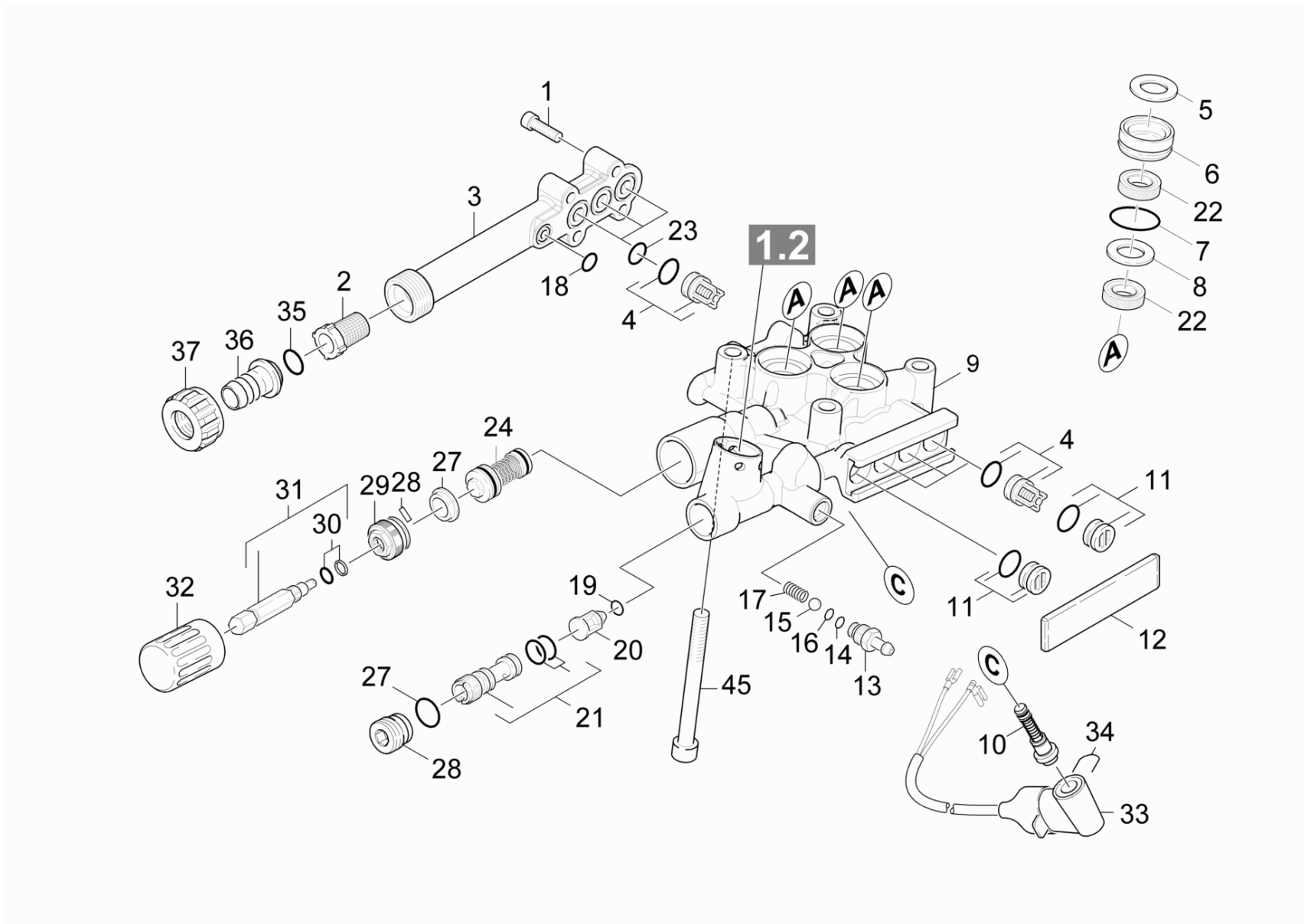


21 Cylinder head

Overview technical documents/Professional/High pressure cleaner cold water/Electric motor/HD 6/13 CX Plus *EU (1.514-650.0)/Spare parts list HD 6/13 CX Plus *EU/20 Pump set/21 Cylinder head



21 Cylinder head

Overview technical documents/Professional/High pressure cleaner cold water/Electric motor/HD 6/13 CX Plus *EU (1.514-650.0)/Spare parts list HD 6/13 CX Plus *EU/20 Pump set/21 Cylinder head

Rez.daļas/nodil.pakļ.daļas	Poz.	Materiāla Nr.	Nosaukums	Daudzums	Pārdoš. vienība	no sēr. Nr..	līdz sēr. Nr.
X-X	1	7.306-105.0	Skrūve M6x30 -8.8-R3R (In6Rd)	4.000	ST		
X-X	2	6.414-252.0	Sieta filtrs	1.000	ST	0000000000	0000000000
X-X	4	2.884-916.0	Valve (3 Stück) from 2.885-299.0	2.000	ST	0000000000	0000000000
X-X	5	5.116-093.0	Paplāksne	3.000	ST	0000000000	0000000000
X-X	6	5.112-726.0	Bukse	3.000	ST	0000000000	0000000000
X-X	7	6.362-376.0	Gredzenblīve 24,0 X 1,5	3.000	ST	0000000000	0000000000
X-X	8	5.115-721.0	Paplāksne	3.000	ST	0000000000	0000000000
X	9	5.550-306.0	Cilindra galva	1.000	ST	0000000000	0000000000
X-X	10	2.884-501.0	Spare part set control piston	1.000	ST	0000000000	0000000000
X-X	11	4.132-007.0	Spare part	4.000	ST	0000000000	0000000000
	12	5.003-062.0	Plate	1.000	ST	0000000000	0000000000
X-X	13	5.443-624.0	Nipelis	1.000	ST	0000000000	0000000000
X	14	6.362-113.0	Gredzenblīve 6,0 x 2,0 NBR 70	1.000	ST	0000000000	0000000000
	15	7.401-908.0	Sfēra 7 G300 -1.4301 DIN 5401	1.000	ST	0000000000	0000000000
X-X	16	6.362-175.0	Gredzenblīve 5,28x 1,78	1.000	ST	0000000000	0000000000
	17	5.332-258.0	Spirālveida atspere	1.000	ST	0000000000	0000000000
X-X	19	6.363-613.0	Gredzenblīve 4 x 2 -NBR90	1.000	ST	0000000000	0000000000
X-X	20	5.584-091.0	Pretvārsta ass	1.000	ST	0000000000	0000000000
X	21	4.769-035.0	Nozzle insert	1.000	ST	0000000000	0000000000
X-X	22	6.365-477.0	Gredzens ar gropi 12x20x5,3/2,8	6.000	ST	0000000000	0000000000
X-X	24	4.591-038.0	Overflow valve	1.000	ST	0000000000	0000000000
	25	6.362-989.0	Gredzenblīve 18x2 - NBR 80	1.000	ST	0000000000	0000000000
	26	5.411-172.0	Screw plug	1.000	ST	0000000000	0000000000
X	27	5.110-630.0	Uzmava	1.000	ST		
X-X	27	6.362-480.0	Gredzenblīve 12,42x 1,78	1.000	ST		

21 Cylinder head

Overview technical documents/Professional/High pressure cleaner cold water/Electric motor/HD 6/13 CX Plus *EU (1.514-650.0)/Spare parts list HD 6/13 CX Plus *EU/20 Pump set/21 Cylinder head

Rez.daļas/nodil.pakļ.daļas	Poz.	Materiāla Nr.	Nosaukums	Daudzums	Pārdoš. vienība	no sēr. Nr..	līdz sēr. Nr.
	28	5.411-171.0	Screw plug	1.000	ST		
X	28	7.314-629.0	Rievota tapa 2x10 -A1 ISO 8742	1.000	ST		
X	29	5.583-147.0	Valve screw	1.000	ST		
X-X	30	6.362-468.0	Gredzenblīve, pilns komplekts 1ST.-R.	1.000	ST		
X-X	31	4.291-014.0	Spindle complete	1.000	ST		
X-X	32	5.322-095.0	Handhold yellow RAL 1018	1.000	ST		
X-X	33	4.744-168.0	Switch complete	1.000	ST	0000000000	0000000000
X-X	34	5.034-494.0	Retaining bracket	1.000	ST	0000000000	0000000000
X-X	35	6.362-078.0	Gredzenblīve 13,3x2,4	1.000	ST	0000000000	0000000000
	36	5.443-229.0	Hose stem	1.000	ST	0000000000	0000000000
	37	5.310-065.0	Nut	1.000	ST	0000000000	0000000000
X-X	38	7.303-108.0	Skrūve 5x20 -10.9-R2R (In6Rd)	1.000	ST		
	39	5.402-727.0	Sūkšanas nipelis	1.000	ST		
X	40	5.064-230.0	Sūknēšanas kameras vāks	1.000	ST		
	41	7.306-129.0	Skrūve M6x40 -8.8-R3R (In6Rd)	4.000	ST		
X-X	42	5.365-284.0	Profilētā blīve	1.000	ST		
X-X	43	6.362-481.0	Gredzenblīve 14,0 x 2,0 NBR 80	1.000	ST		
	44	5.005-314.0	Plate suction cover	1.000	ST		
X-X	45	7.306-106.0	Cil. galvas skr. M8x70 -8.8-A2E ISO4	4.000	ST		
X-X	100	2.883-997.0	Pump HD 5/12 C	1.000	ST	0000000000	0000000000