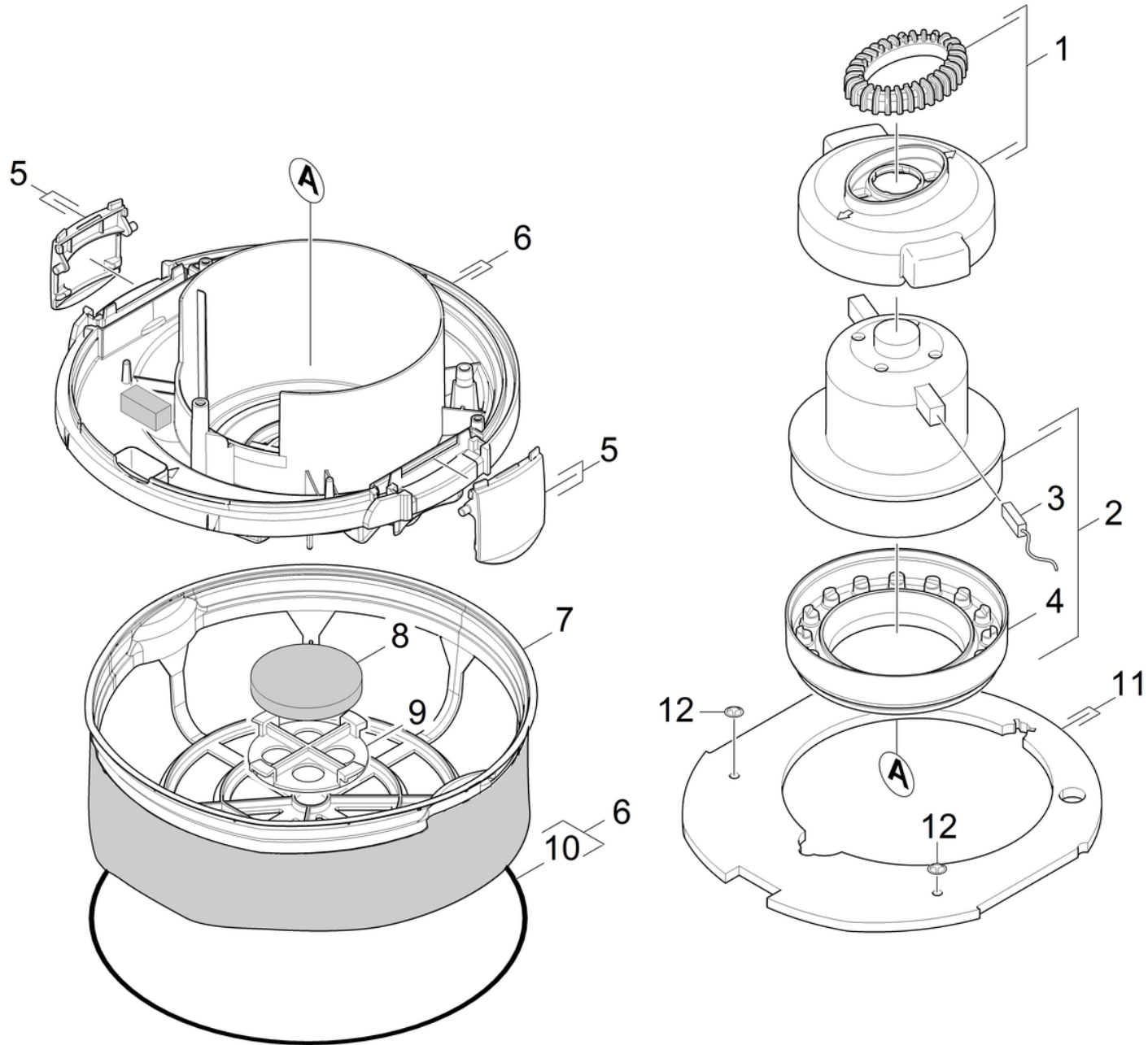


20 Vacuum motor

Professional \ Vacuum cleaner \ Dry vacuum cleaner \ T 10/1 eco!efficiency *EU \ Spare parts list T 10/1 eco!efficiency *EU \ Vacuum motor



20 Vacuum motor

Professional \ Vacuum cleaner \ Dry vacuum cleaner \ T 10/1 eco!efficiency *EU \ Spare parts list T 10/1 eco!efficiency *EU \ Vacuum motor



POS	Article no.	Description	Quantity	Unit	Remark	Foot note text
1	4.605-071.0	Housing turbine complete	1	PC		
2	4.610-001.0	Vacuum motor packaged 230V / 700W	1	PC	marked as 6.490-033.0 (unpacked part !)	VERSION 2
2	4.610-078.0	Vacuum motor complete 800W	1	PC	marked as 6.490-270.0 (unpacked part !)	VERSION 1
3	6.610-258.0	Carbon brush set	1	PC		VERSION 1
4	5.363-776.0	Bearing motor bottom	1	PC		
5	5.033-412.0	Locking clip	2	PC		
6	4.605-150.0	Housing complete eco!efficiency	1	PC		
7	5.731-649.0	Filtering basket packaged	1	PC		
8	6.414-611.0	Filter 5 St.	1	ZSA		
9	5.032-674.0	Grate filter motor protecting	1	PC		
10	6.273-261.0	Seal string cellular rubber D6 850 +/-5	1	PC		
11	2.889-096.0	Set insulating mats eco!efficiency	1	PC		
12	6.343-145.0	Lock washer 5	2	PC		